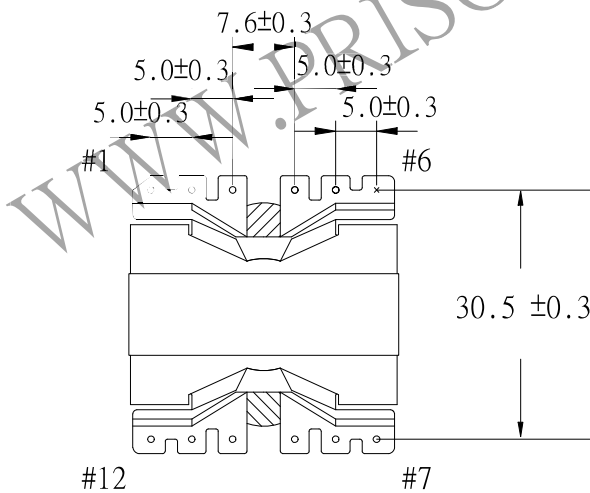
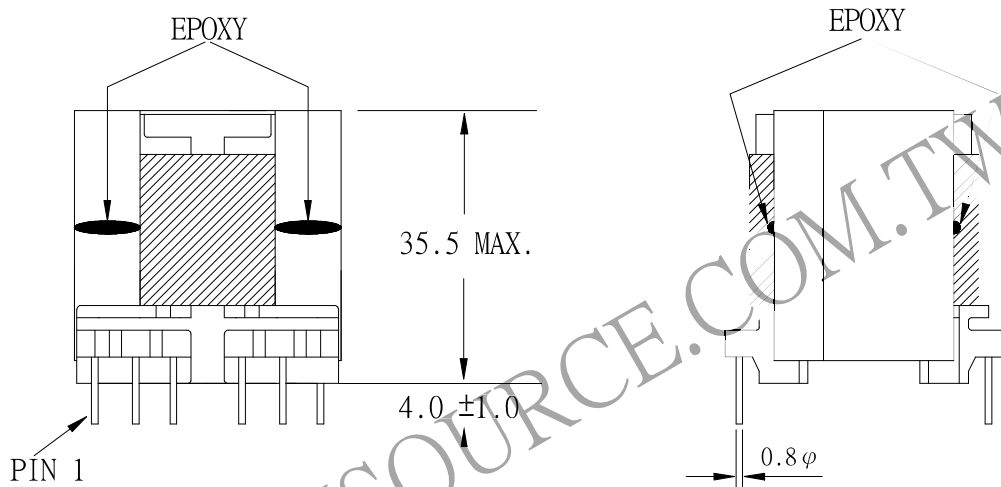
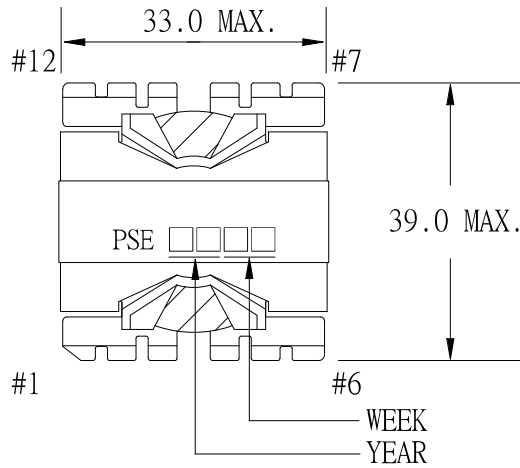


1. MECHANICAL & ASSEMBLY :



NOTE:

1. EPOXY FIXED BETWEEN CORE & CORE (TTL:4 POINTS)
2. EPOXY FIXED TOP OF BOBBIN & CORE.(ONE POINT)
3. PIN 6 NO
4. **SOLDER POINT CAN NOT BE OVER STAND OFF**

UNIT:mm

REPORT BY	CHECK BY	APPROVED BY	CUSTOMER :	DATE
			PART NO : 83P-15016	REV NO.
			ISSUE NO :	PAGE
				4 - 1

2. WINDING CONFIGURATION:

STEP	WINDING	MARGIN TAPE	START-FINISH	COPPER WIRE	TURNS	LAYER TAPE	TUBE	METHOD
1	W1		2 - 4	0.10 ϕ /100C	8	2Ts		SPACE
2	W2		10 - 8	0.10 ϕ /100C	10	2Ts		CLOSE
3	W3		11 - 9	0.10 ϕ /100C	10	2Ts		CLOSE
4	W4		3 - 5	0.10 ϕ /100C	8	2Ts		CLOSE

NOTE:

3. ELECTRICAL CHARACTERISTICS:

PIN NO.	INDUCTANCE 1.0 KHz, 0.3Vrms	LEAKAGE INDUCTANCE KHz, Vrms	VOLTAGE RATIO(V) F= 20KHz	DCR MAX. AT 25°C
2,3 - 4,5	25.0uH \pm 7%		0.0790Vrms \pm 5.0%	8.0m Ω
10,11 - 8,9			INPUT 0.1Vrms	11.0m Ω

HI-POT TEST:(AT 1 mA, 2SEC.)

PRI TO SEC 600 VAC

PRI, SEC TO CORE 600 VAC

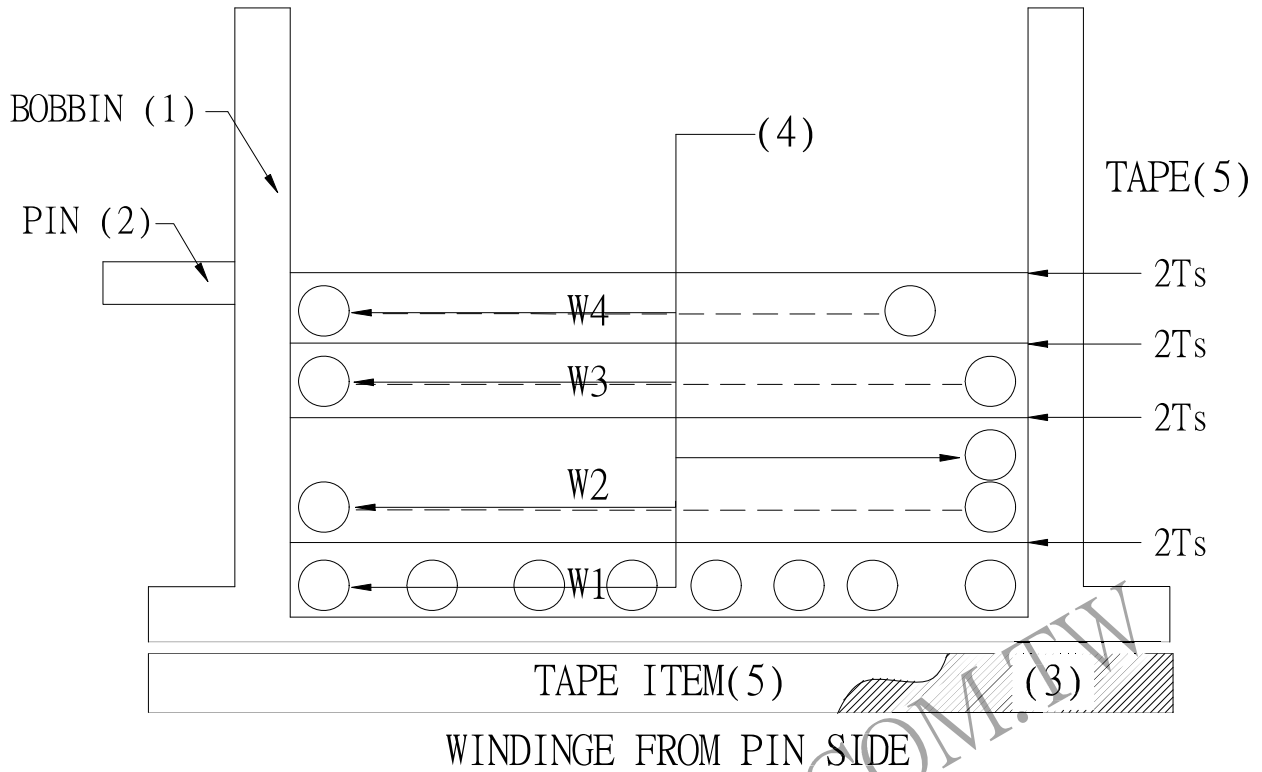
INSULATION RESISTANCE:(AT DC 500V)

PRI TO SEC 100 M Ω MIN.

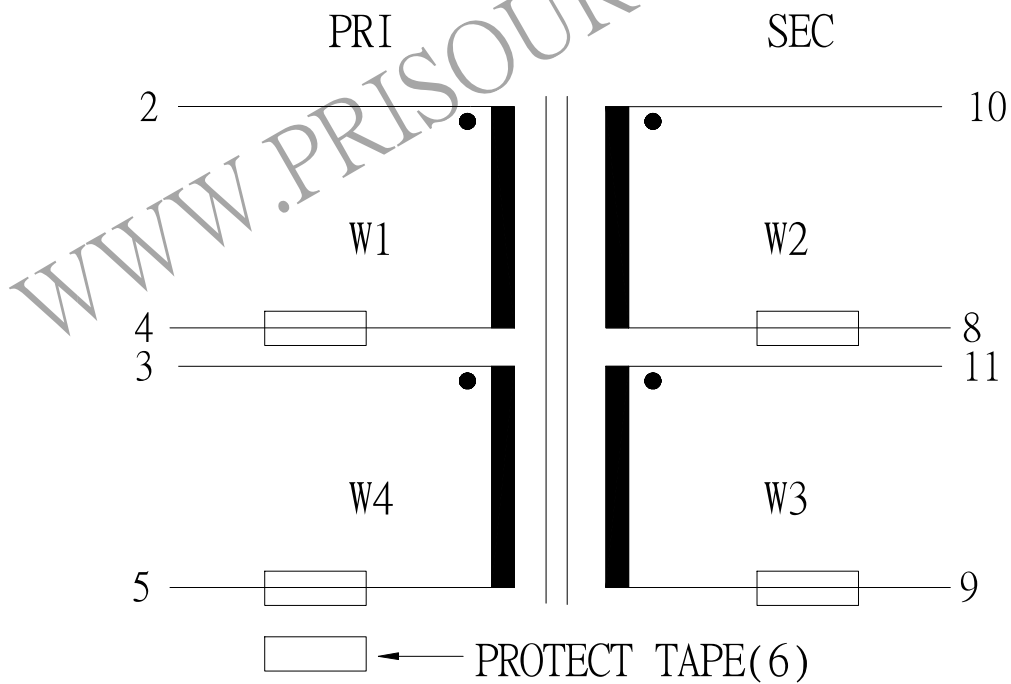
PRI, SEC TO CORE 100 M Ω MIN.

REPORT BY	CHECK BY	APPROVED BY	CUSTOMER :	DATE	
			PART NO : 83P-15016	REV NO.	
			ISSUE NO :	PAGE	4 - 2

4. WINDING SEQUENCE:



5. SCHEMATIC:



REPORT BY	CHECK BY	APPROVED BY	CUSTOMER :	DATE	
			PART NO : 83P-15016	REV NO.	
			ISSUE NO :	PAGE	4 - 3