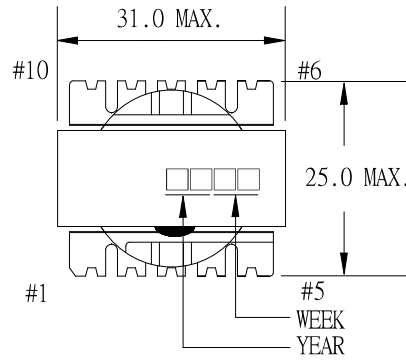
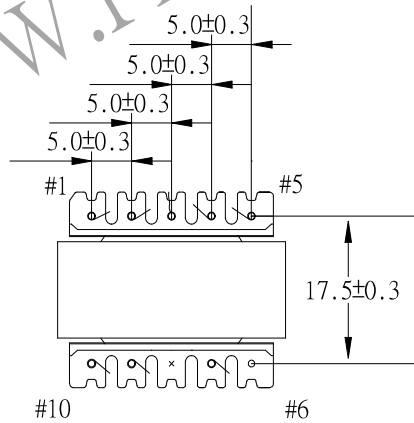
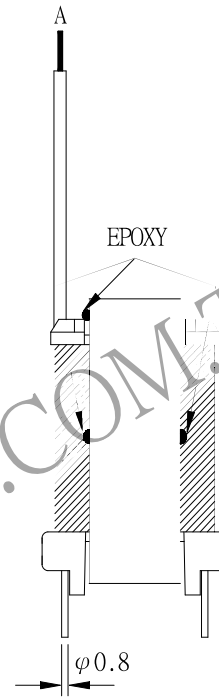
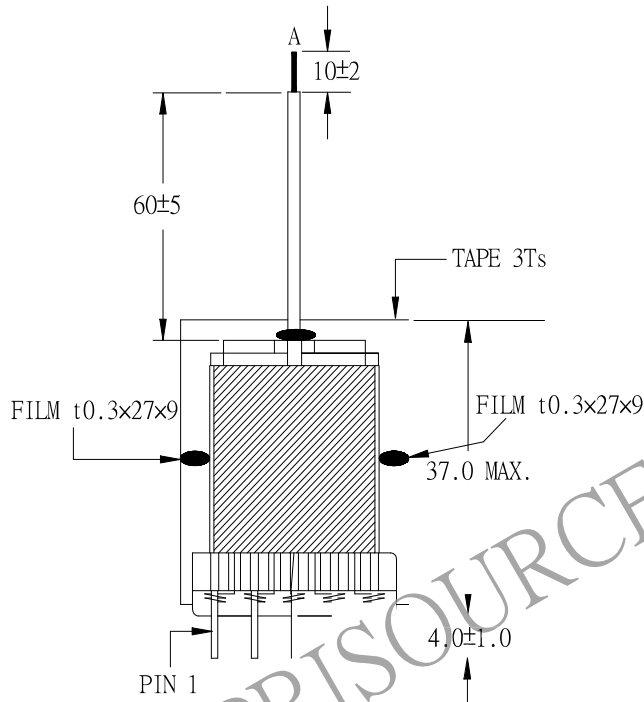


# 1. MECHANICAL & ASSEMBLY :

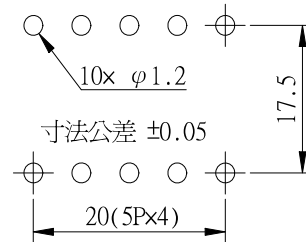


## NOTE:

1. EPOXY FIXED BETWEEN CORE & CORE (TTL:4 POINTS), EPOXY FIXED TOP OF BOBBIN & CORE.( ONE POINT AT PIN1-5 SIDE).
2. PIN 8 NO.



以下の治具に容易に挿入できること。



UNIT : mm

REPORT BY	CHECK BY	APPROVED BY	CUSTOMER :	DATE	
			PART NO : 81P-16034	REV NO.	
			ISSUE NO :	PAGE	4 - 1

## 2. WINDING CONFIGURATION:

STEP	WINDING	MARGIN TAPE	START-FINISH	COPPER WIRE	TURNS	TUBE	LAYER TAPE	METHOD
1	PM1	2.0mm/~x2Ts	2 - 4	0.55 $\phi$ x4	8		3Ts	CLOSE
2	S1	2.0/2.0mmx4Ts	7 - 9	TEX-E 0.35 $\phi$	75		1T/1T/1T	CLOSE
3	S2	2.0/2.0mmx1T	9 - 10	TEX-E 0.35 $\phi$	5		3Ts	SPACE
4	PM2	2.0/2.0mmx2Ts	1 - 5	0.55 $\phi$ x4	8		1T	CLOSE
5	PB	2.0/2.0mmx1T	A - 3	0.50 $\phi$	2	#22	3Ts	SPACE

NOTE:

## 3. ELECTRICAL CHARACTERISTICS:

PIN NO.	INDUCTANCE 100.0 KHz, 1.0Vrms	LEAKAGE INDUCTANCE KHz, Vrms	VOLTAGE RATIO(V) F= 20KHz	DCR MAX. AT 25°C
7 - 9	1.05 mH $\pm$ 15%		INPUT 1 Vrms	0.76 $\Omega$
2 - 4			0.1051 Vrms $\pm$ 4.0%	8.0 m $\Omega$
9 - 10			0.0662 Vrms $\pm$ 5.0%	66.5 m $\Omega$
1 - 5			0.1049 Vrms $\pm$ 4.0%	13.50 m $\Omega$
A - 3			0.0257 Vrms $\pm$ 7.0%	22.75 m $\Omega$

HI-POT TEST:(AT 1mA,2 SEC )

PRI. TO SEC. 3600 VAC

PRI. TO CORE. 3600 VAC

INSULATION RESISTANCE:(AT DC 500V)

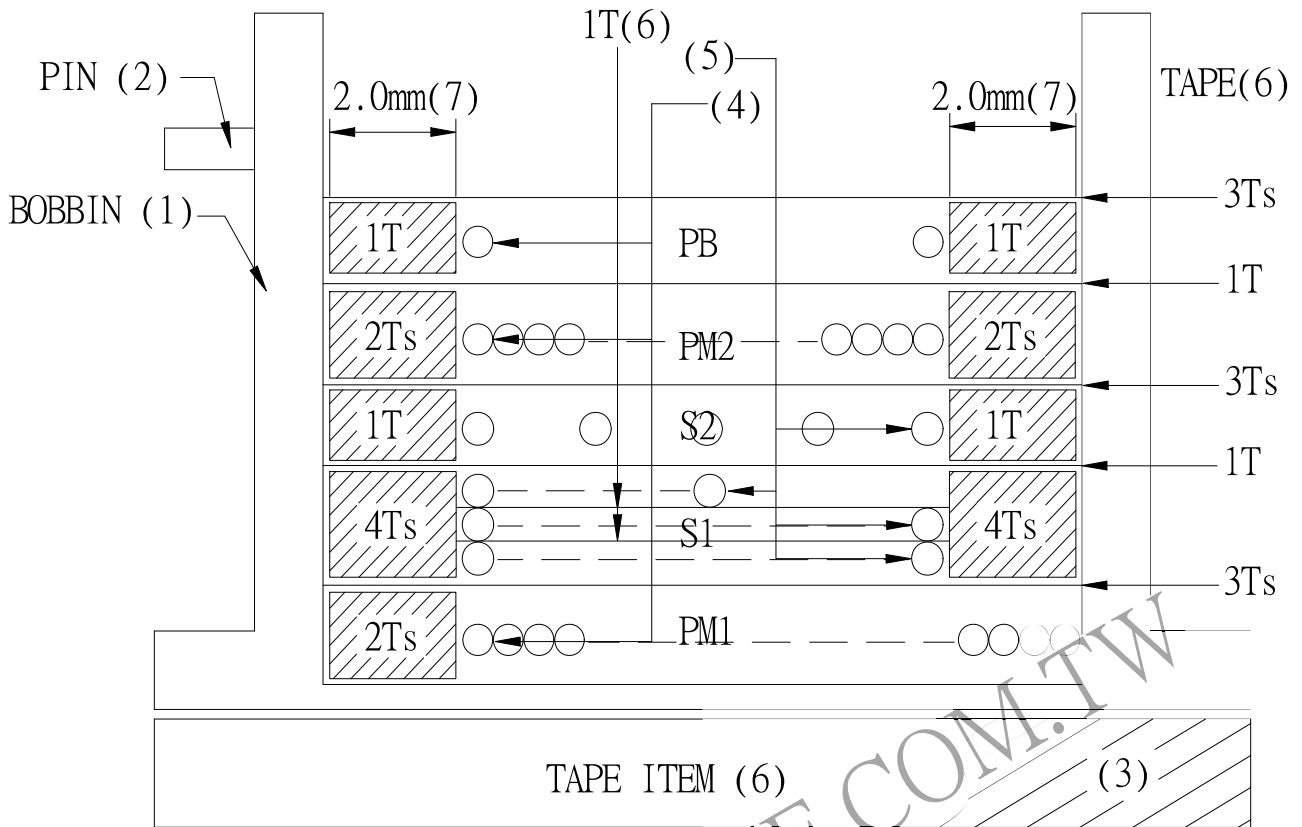
PRI. TO SEC. 100 M $\Omega$  MIN.

PRI. TO CORE. 100 M $\Omega$  MIN.

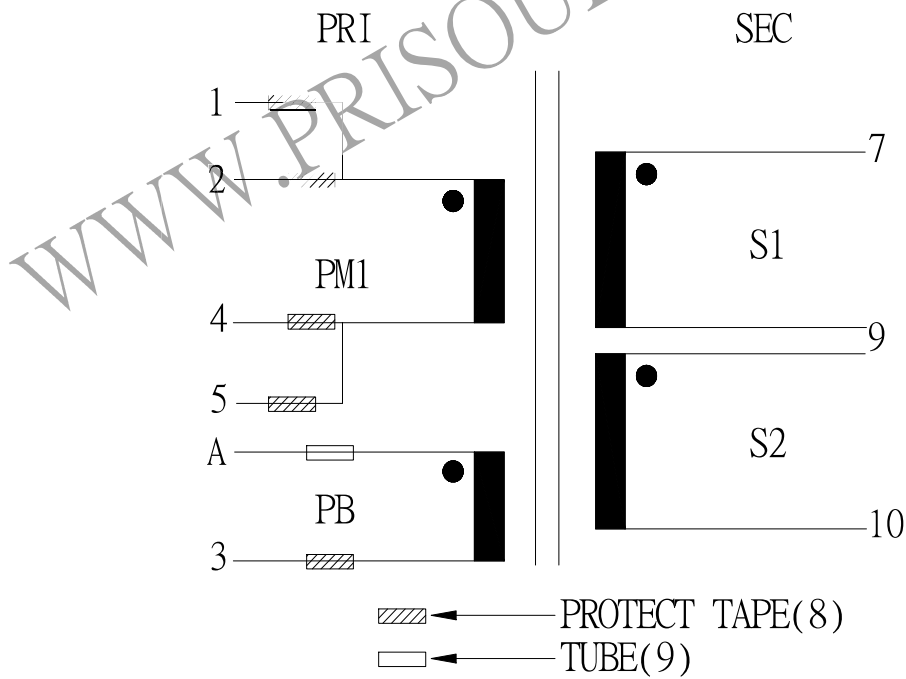
LY(7 - 9) 1200Vo

REPORT BY	CHECK BY	APPROVED BY	CUSTOMER :	DATE
			PART NO : 81P-16034	REV NO.
			ISSUE NO :	PAGE 4 - 2

#### 4. WINDING SEQUENCE:



#### 5. SCHEMATIC:



REPORT BY	CHECK BY	APPROVED BY	CUSTOMER :	DATE
			PART NO : 81P-16034	REV NO.
			ISSUE NO :	PAGE
				4 - 3