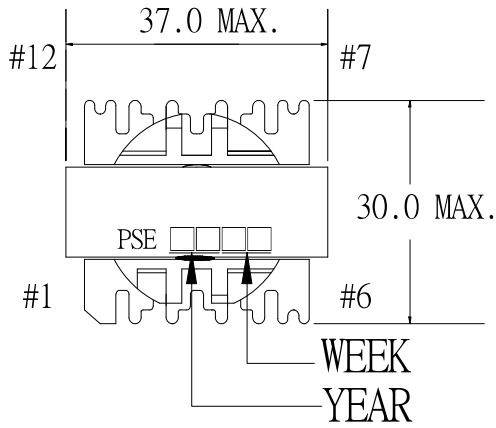
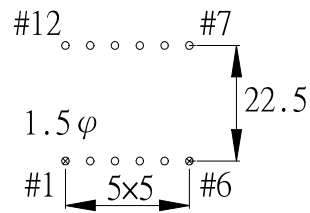
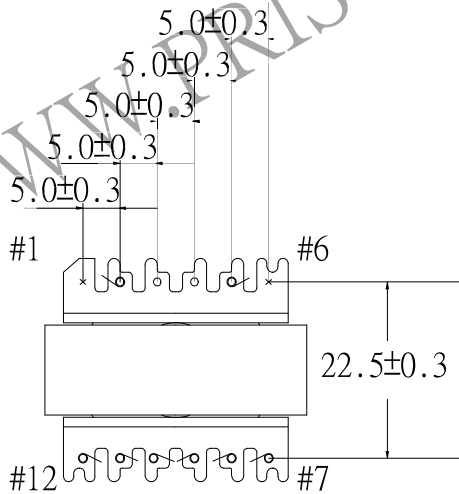
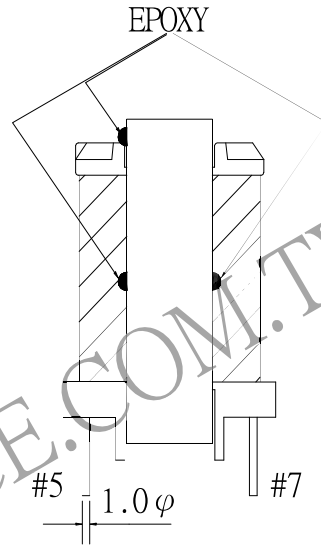
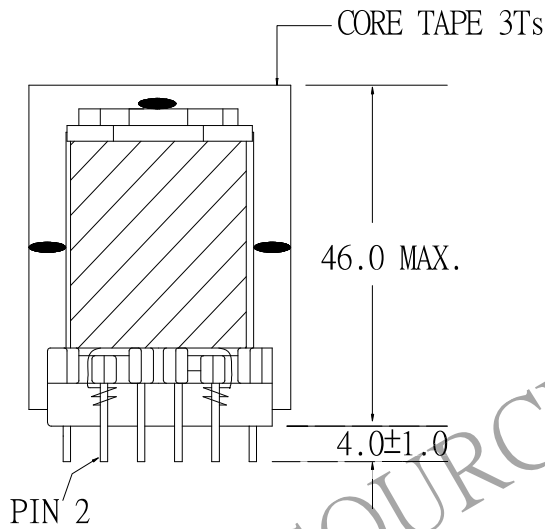


1. MECHANICAL & ASSEMBLY :



NOTE:

1. EPOXY FIXED BETWEEN CORE & CORE (TTL:4 POINTS). EPOXY FIXED TOP OF BOBBIN & CORE.(ONE POINT AT PIN1-6 SIDE).
2. PIN 1,6 NO.



UNIT:m/m

REPORT BY	CHECK BY	APPROVED BY	CUSTOMER :	DATE
			PART NO : 81P-16019	REV NO.
			ISSUE NO :	PAGE
				4 - 1

2. WINDING CONFIGURATION :

STEP	WINDING	MARGIN TAPE	START-FINISH	COPPER WIRE	TURNS	LAYER TAPE	TUBE	METHOD
1	P1	2.5mm/2.5mm×3Ts	2 - 5	TEX-E 0.50φ	55	3Ts		CLOSE
2	S05	4.5mm/4.5mm×2Ts	9 - 8	0.55φ×5	4	3Ts		SPACE
3	S05'	4.5mm/4.5mm×2Ts	10 - 7	0.55φ×5	4	3Ts		SPACE
4	S-12	4.5mm/4.5mm×2Ts	12 - 11	0.35φ×3	16	3Ts	φ0.8	CLOSE
5	P1'	2.5mm/2.5mm×3Ts	2 - 5	TEX-E 0.50φ	55	3Ts		CLOSE

NOTE:

3. ELECTRICAL CHARACTERISTICS :

PIN NO.	INDUCTANCE 1.0 KHz, 1.0Vrms	LEAKAGE INDUCTANCE 100 KHz, 1.0Vrms	VOLTAGE RATIO(V) F= 20KHz INPUT 1Vrms	DCR MAX. AT 25°C
2 - 5	5.5mH MIN	12.0Uh MIN		176.0 mΩ
9 - 8			0.0727Vrms±7.0%	5.3 mΩ
10 - 7		SHORT	0.0727Vrms±7.0%	5.7 mΩ
12 - 11		SHORT	0.2910Vrms±5.0%	83.0 mΩ

HI-POT TEST :(AT 1 mA 1 SEC)

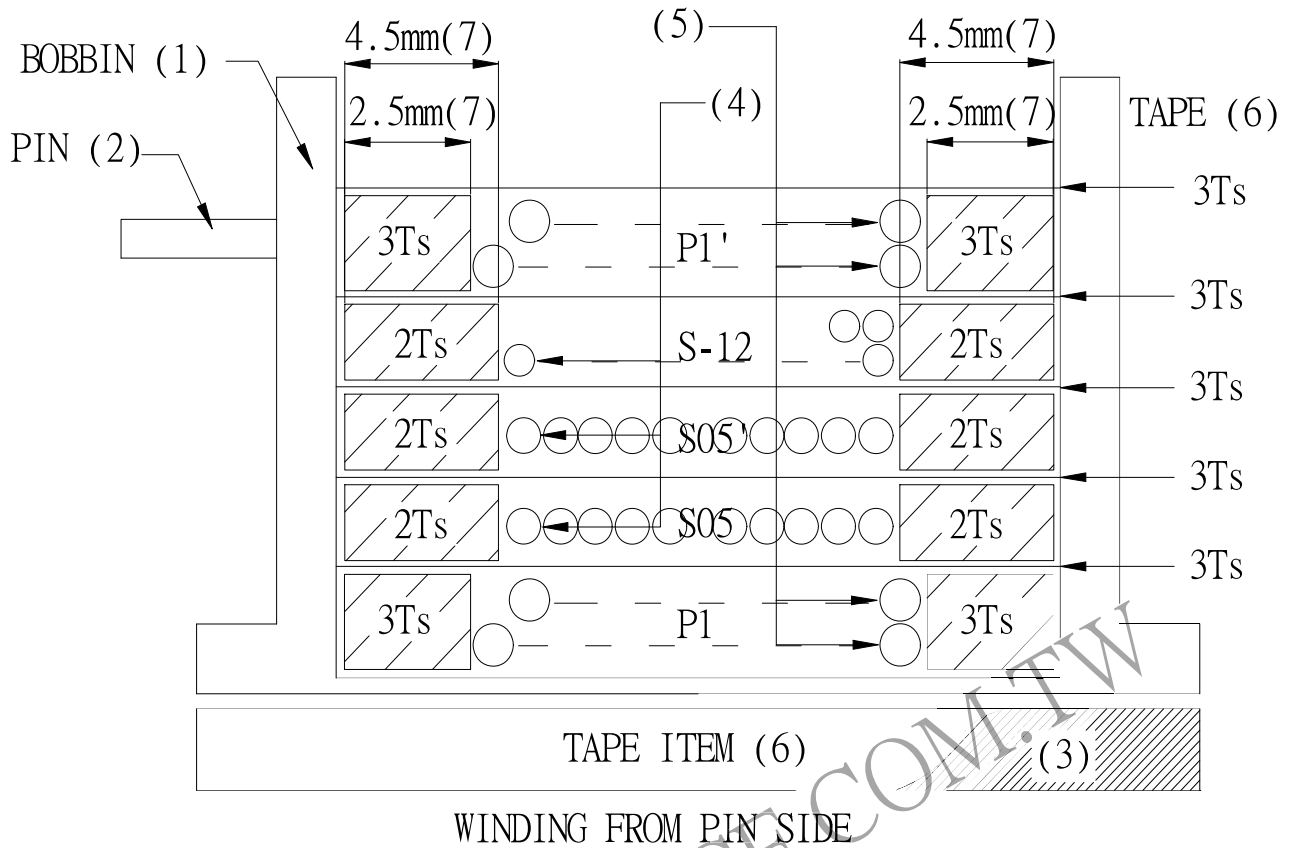
PRI. TO SEC. 3600 VAC
PRI TO CORE 3600 VAC

INSULATION RESISTANCE:(AT DC 500V)

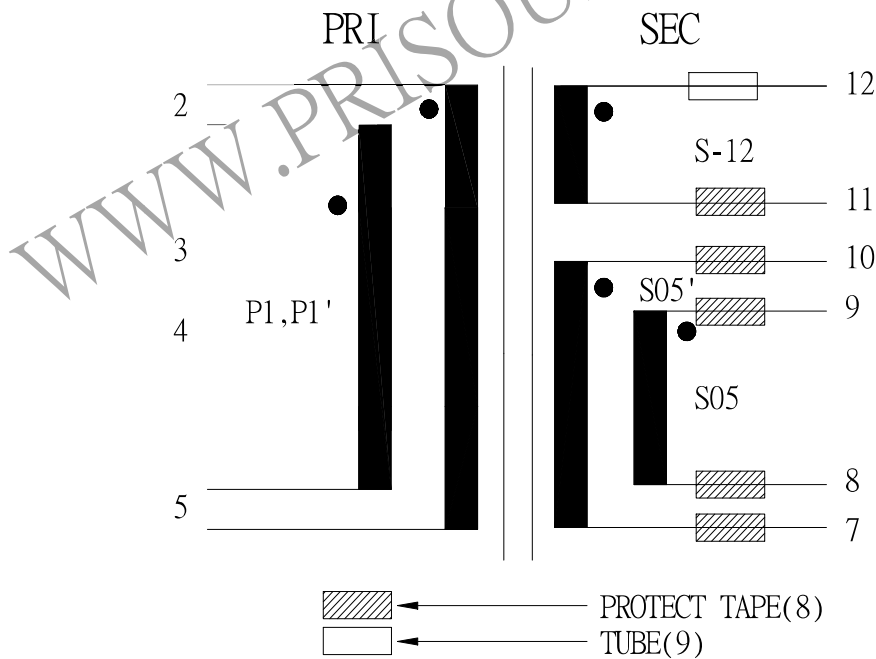
PRI. TO SEC. 100 MΩ MIN.
PRI TO CORE. 100 MΩ MIN.

REPORT BY	CHECK BY	APPROVED BY	CUSTOMER :	DATE
			PART NO : 81P-16019	REV NO.
			ISSUE NO :	PAGE
				4 - 2

4. WINDING SEQUENCE:



5. SCHEMATIC:



REPORT BY	CHECK BY	APPROVED BY	CUSTOMER :	DATE
			PART NO : 81P-16019	REV NO.
			ISSUE NO :	PAGE
				4 - 3