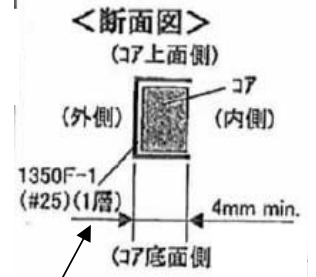
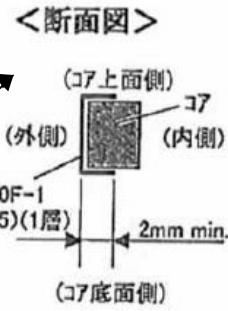
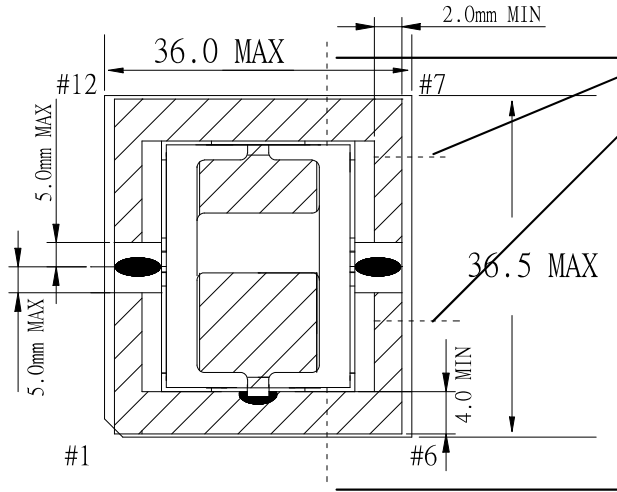
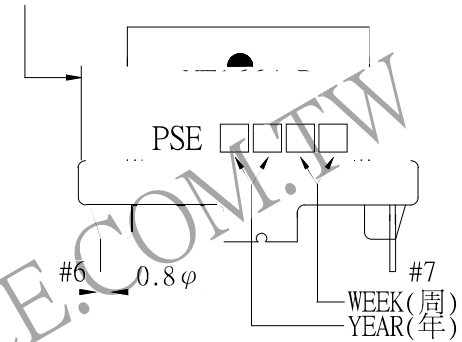
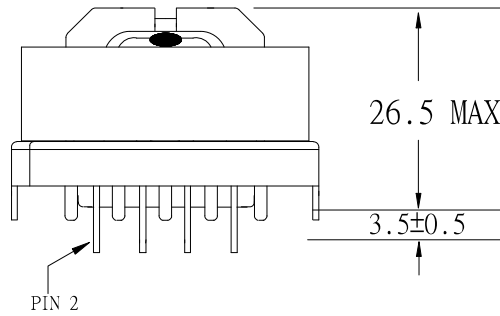


1. MECHANICAL & ASSEMBLY :

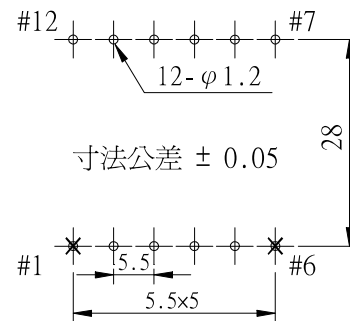
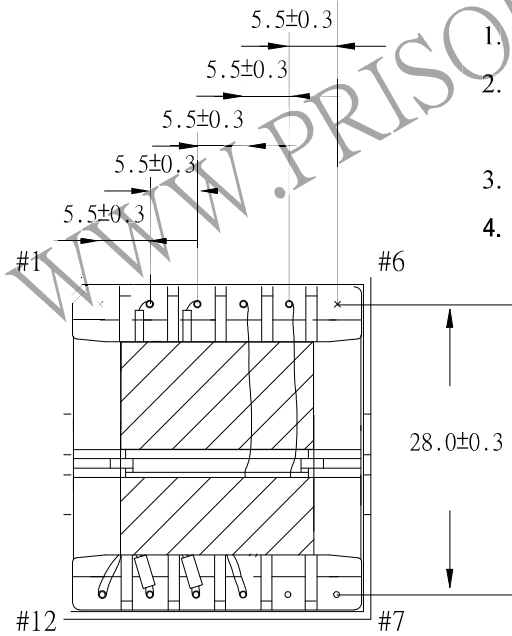


CORE TAPE 3Ts



NOTE:

1. EPOXY FIXED BETWEEN CORE & CORE (TTL:2 POINTS)
2. EPOXY FIXED TOP OF BOBBIN & CASE & CORE.(ONE POINT AT PIN1-6 SIDE).
3. PIN 1,6 NO.
4. 「この治具に容易に挿入出来る事」



UNIT: m/ m

REPORT BY	CHECK BY	APPROVED BY	CUSTOMER :	DATE
			PART NO : 81P-16010	REV NO.
			ISSUE NO :	PAGE 4 - 1

2. WINDING CONFIGURATION:

STEP	WINDING	MARGIN TAPE	START-FINISH	COPPER WIRE	TURNS	LAYER TAPE	TUBE	METHOD
1	P1		2 - 3	0.10 ϕ /40C	34	1T/1T/1T/3Ts	#16/#16	CLOSE
2	S1		10 - 12	0.10 ϕ /100C	2	1T	#12/~	BIFILAR, CLOSE
3	S2		11 - 9	0.10 ϕ /100C	2		#12/~	
4	S1'		10 - 12	0.10 ϕ /100C	2	1T	#12/~	BIFILAR, CLOSE
5	S2'		11 - 9	0.10 ϕ /100C	2		#12/~	
6	P2		5 - 4	TEX-E 0.3 ϕ	3	3Ts		CLOSE Center

NOTE:1.P1:0.10 ϕ /40C (50Ts 以上/M)

2.S1,S2,S1',S2':0.10 ϕ /100C (45Ts 以上/M)

3.S1&S2 twisted spec:5Ts 以上/20cm

4.S1' & S2' twisted spec:5Ts 以上/20cm

3. ELECTRICAL CHARACTERISTICS:

PIN NO.	INDUCTANCE 10.0KHz, 1.0Vrms	LEAKAGE INDUCTANCE 10 KHZ, 1V	VOLTAGE RATIO(V) f= 20KHz	DCR (MAX) AT 25°C
2 - 3	602.0uH+10%-15%	105.0uH MAX	INPUT 1Vrms	120.0m Ω
10 - 12		SHORT	0.0559V \pm 5.0%	2.5 m Ω
11 - 9		SHORT	0.0559V \pm 5.0%	2.0 m Ω
5 - 4			0.0841V \pm 5.0%	75.0 m Ω

HI-POT TEST : (AT 1 mA, 2 SEC)

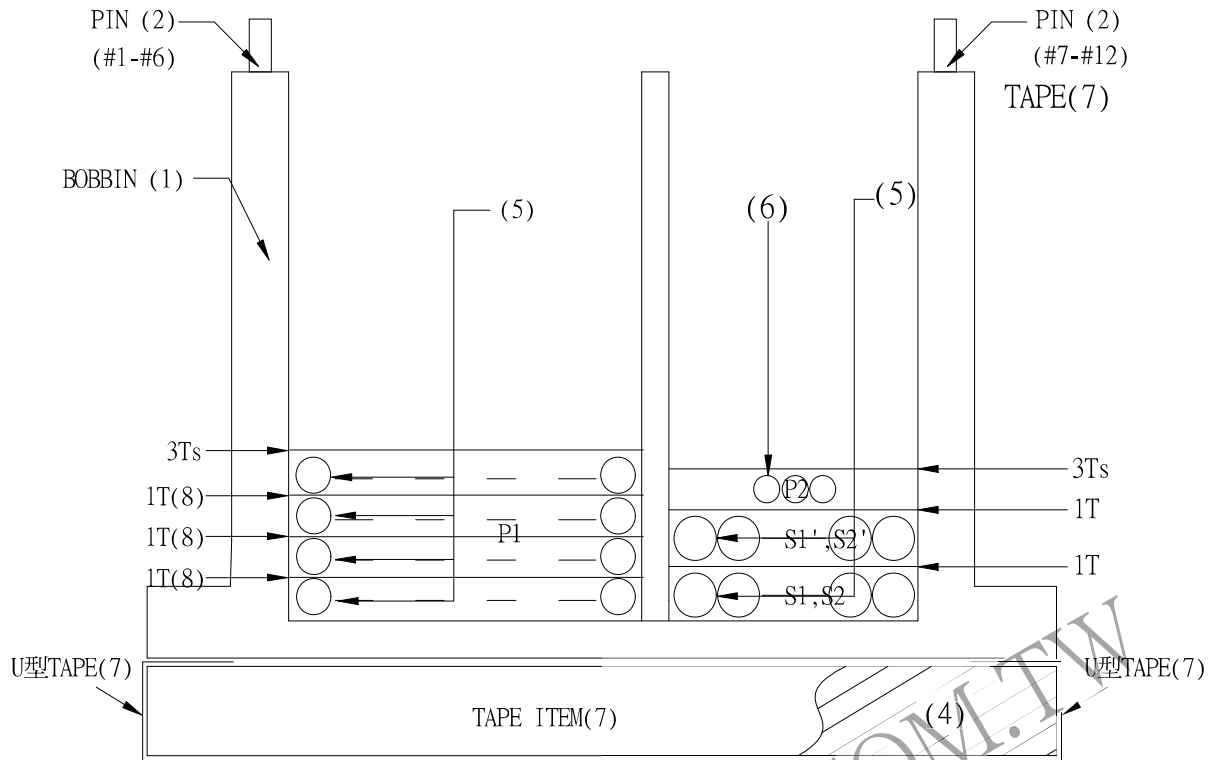
PRI.	TO	SEC.	4800 VAC
PRI.	TO	CORE.	4800 VAC
SEC.	TO	CORE.	720 VAC

INSULATION RESISTANCE: (AT DC500V)

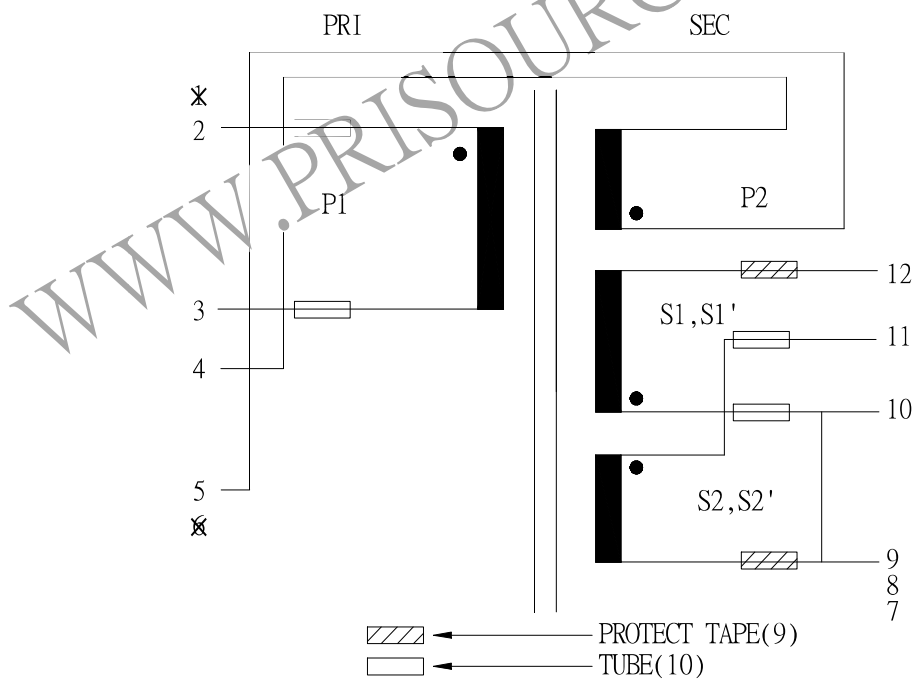
PRI.	TO	SEC.	100 M Ω MIN.
PRI.	TO	CORE.	100 M Ω MIN.
SEC.	TO	CORE.	100 M Ω MIN.

REPORT BY	CHECK BY	APPROVED BY	CUSTOMER :	DATE	
			PART NO : 81P-16010	REV NO.	
			ISSUE NO :	PAGE	4 - 2

4. WINDING SEQUENCE:



5. SCHEMATIC:



REPORT BY	CHECK BY	APPROVED BY	CUSTOMER :	DATE	
			PART NO : 81P-16010	REV NO.	
			ISSUE NO :	PAGE	4 - 3