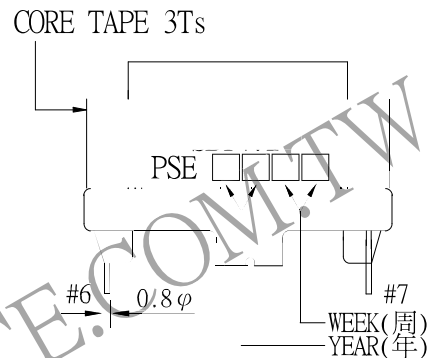
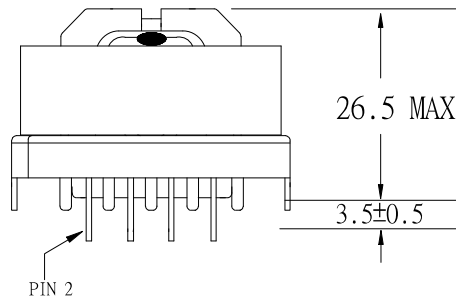
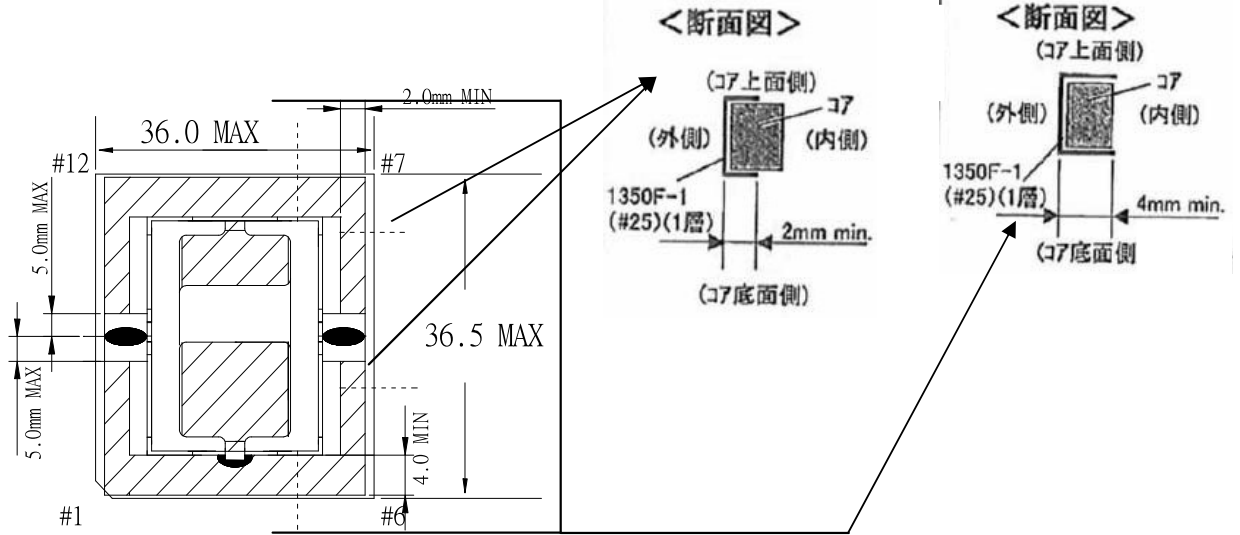
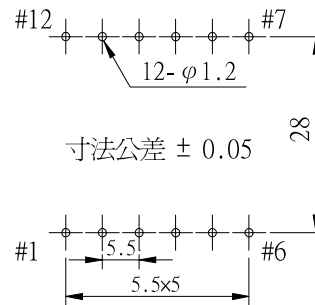
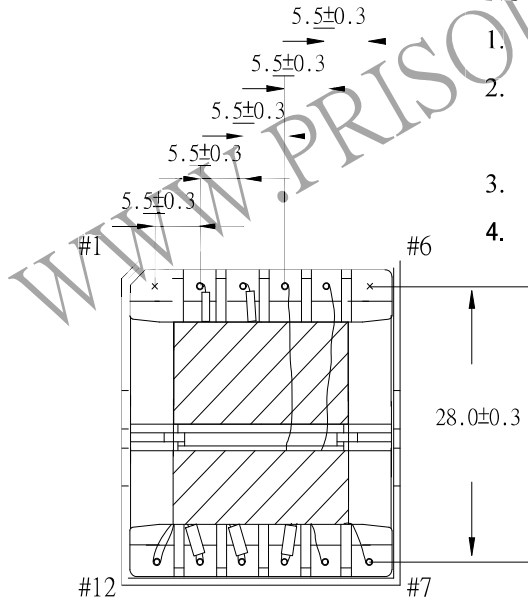


# 1. MECHANICAL & ASSEMBLY :



**NOTE:**

1. EPOXY FIXED BETWEEN CORE & CORE (TTL:2 POINTS)
2. EPOXY FIXED TOP OF BOBBIN & CASE & CORE.(ONE POINT AT PIN1-6 SIDE).
3. PIN 1,6 NO.
4. 「この治具に容易に挿入出来る事」



UNIT: m/ m

|           |          |             |                     |            |
|-----------|----------|-------------|---------------------|------------|
| REPORT BY | CHECK BY | APPROVED BY | CUSTOMER :          | DATE       |
|           |          |             | PART NO : 81P-16008 | REV NO.    |
|           |          |             | ISSUE NO :          | PAGE 4 - 1 |

## 2. WINDING CONFIGURATION:

| STEP | WINDING | MARGIN TAPE | START-FINISH | COPPER WIRE             | TURNS | LAYER TAPE | TUBE    | METHOD   |
|------|---------|-------------|--------------|-------------------------|-------|------------|---------|----------|
| 1    | P1      |             | 2 - 3        | TIW-2 LZ 0.1 $\phi$ /27 | 35    | 3Ts        | #18/#18 | CLOSE    |
| 2    | S1      |             | 10 - 12      | 0.10 $\phi$ /150C       | 3     | 1T         | #12/~   | BIFILAR, |
| 3    | S2      |             | 11 - 9       | 0.10 $\phi$ /150C       | 3     |            | #12/#12 | CLOSE    |
| 4    | S3      |             | 8 - 7        | TEX-E 0.3 $\phi$        | 2     | 1T         |         | SPACE    |
| 5    | P2      |             | 5 - 4        | TEX-E 0.3 $\phi$        | 3     | 3Ts        |         | CLOSE    |
|      |         |             |              |                         |       |            |         |          |
|      |         |             |              |                         |       |            |         |          |
|      |         |             |              |                         |       |            |         |          |
|      |         |             |              |                         |       |            |         |          |

NOTE:1.WIRE:0.10 $\phi$ /50C(45Ts 以上/M)

2.S1& S2 (0.10 $\phi$ /50Cx3PCS)twisted spec:7Ts 以上/20cm

## 3. ELECTRICAL CHARACTERISTICS:

| PIN NO. | INDUCTANCE<br>1.0KHz, 1.0Vrms | LEAKAGE<br>INDUCTANCE<br>1KHZ, 1V | VOLTAGE RATIO(V)<br>f= 20KHz | DCR (MAX)<br>AT 25°C |
|---------|-------------------------------|-----------------------------------|------------------------------|----------------------|
| 2 - 3   | 600.0uH+10%-15%               | 83.0uH $\pm$ 10.0%                | INPUT 1Vrms                  | 175.0m $\Omega$      |
| 10 - 12 |                               | SHORT                             | 0.0816V $\pm$ 4.0%           | 4.0 m $\Omega$       |
| 11 - 9  |                               | SHORT                             | 0.0815V $\pm$ 4.0%           | 4.0 m $\Omega$       |
| 8 - 7   |                               | SHORT                             | 0.0545V $\pm$ 4.0%           | 45.0 m $\Omega$      |
| 5 - 4   |                               |                                   | 0.0817V $\pm$ 4.0%           | 75.0 m $\Omega$      |
|         |                               |                                   |                              |                      |
|         |                               |                                   |                              |                      |
|         |                               |                                   |                              |                      |

HI-POT TEST : (AT 1 mA, 2 SEC)

PRI. TO SEC. 4800 VAC

PRI. TO CORE. 4800 VAC

SEC. TO CORE. 720 VAC

INSULATION RESISTANCE: (AT DC500V)

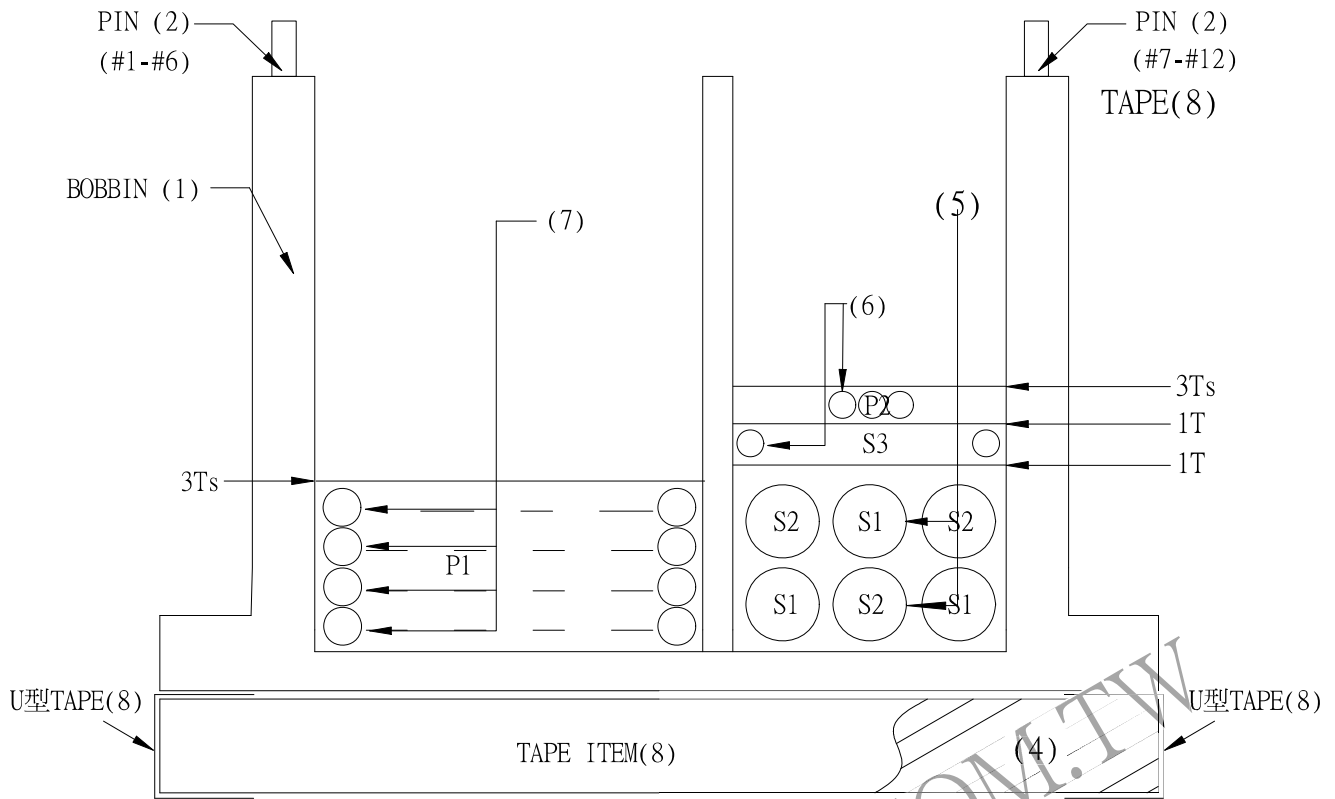
PRI. TO SEC. 100 M $\Omega$  MIN.

PRI. TO CORE. 100 M $\Omega$  MIN.

SEC. TO CORE. 100 M $\Omega$  MIN.

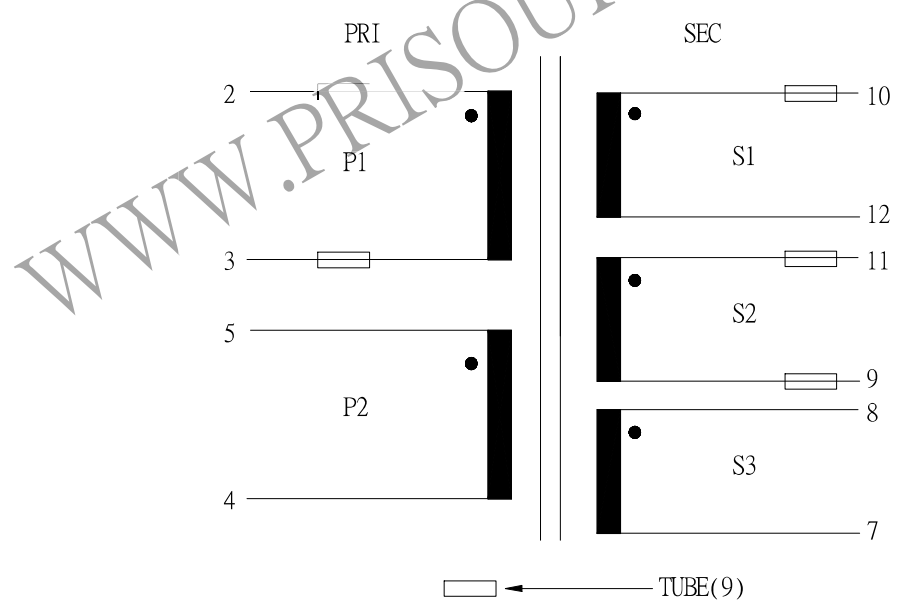
| REPORT BY | CHECK BY | APPROVED BY | CUSTOMER :          | DATE       |
|-----------|----------|-------------|---------------------|------------|
|           |          |             | PART NO : 81P-16008 | REV NO.    |
|           |          |             | ISSUE NO :          | PAGE 4 - 2 |

#### 4. WINDING SEQUENCE:



winding from center to pin7-12 for P2  
 S1&S2 is bifilar winding with 1.5Ts/layer

#### 5. SCHEMATIC:



|           |          |             |                     |         |       |
|-----------|----------|-------------|---------------------|---------|-------|
| REPORT BY | CHECK BY | APPROVED BY | CUSTOMER :          | DATE    |       |
|           |          |             | PART NO : 81P-16008 | REV NO. |       |
|           |          |             | ISSUE NO :          | PAGE    | 4 - 3 |