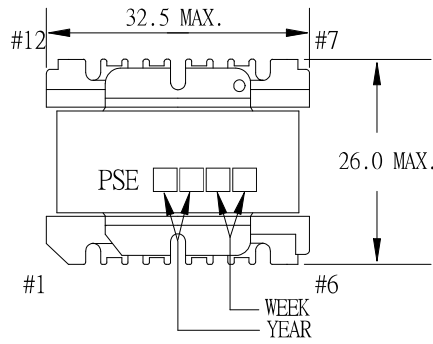
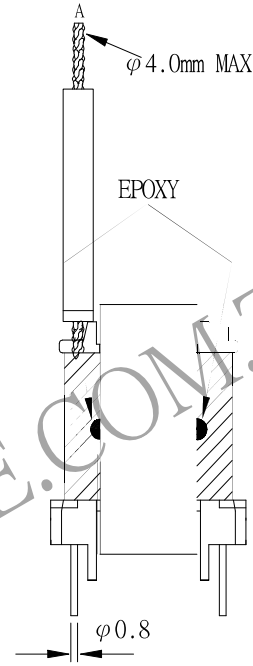
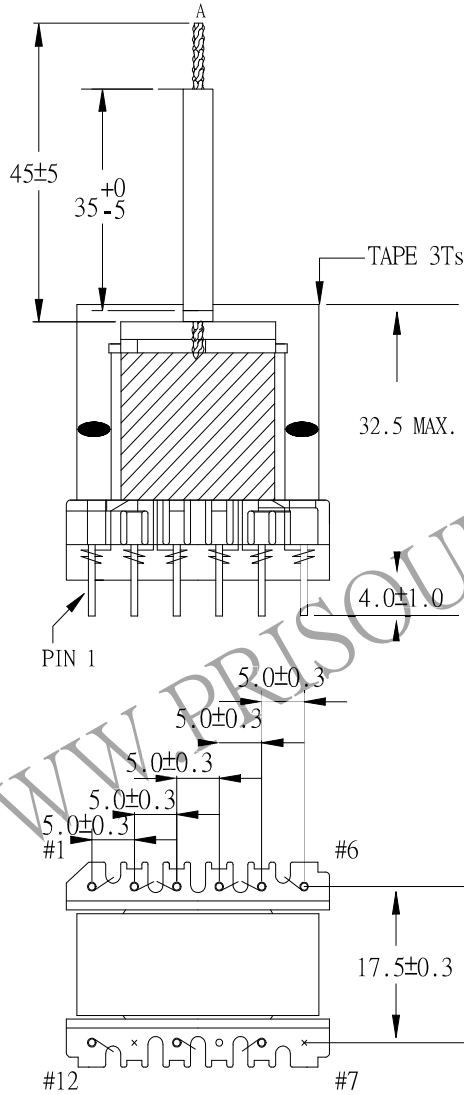


# 1. MECHANICAL & ASSEMBLY :

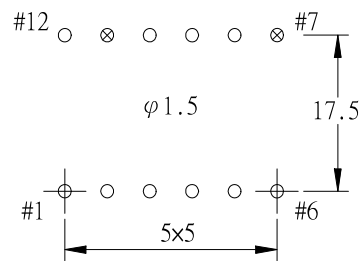


## NOTE:

1. EPOXY FIXED BETWEEN CORE & CORE (TTL:4 POINTS)
2. EPOXY FIXED TOP OF BOBBIN & CORE.(ONE POINT).
3. PIN 7,11 NO.



以下の治具に容易に挿入できること。



UNIT:mm

REPORT BY	CHECK BY	APPROVED BY	CUSTOMER :	DATE
			PART NO : 81P-15013	REV NO.
			ISSUE NO :	PAGE
				4 - 1

## 2. WINDING CONFIGURATION:

STEP	WINDING	MARGIN TAPE	START-FINISH	COPPER WIRE	TURNS	LAYER TAPE	TUBE	METHOD
1	S1	~/2.0mm×1T	1,2,3 - A	0.50φ×6	2	1T		SPACE
2	S2	~/2.0mm×1T	A - 4,5,6	0.50φ×6	2	1T		SPACE
3	P1		8 - 12	TEX-E 0.40φ	50	1T		CLOSE
4	S1'	~/2.0mm×1T	1,2,3 - A	0.50φ×6	2	1T		SPACE
5	S2'	~/2.0mm×1T	A - 4,5,6	0.50φ×6	2	1T		SPACE
6	P1'		12 - 10	TEX-E 0.40φ	24	3Ts		CLOSE

NOTE:

## 3. ELECTRICAL CHARACTERISTICS:

PIN NO.	INDUCTANCE 100 KHz, 0.1Vrms	LEAKAGE INDUCTANCE KHz, Vrms	VOLTAGE RATIO(V) F= 20KHz INPUT 1Vrms	DCR MAX. AT 25°C
8 - 10	10.5mH MIN			0.75 Ω
1,2,3 - A			0.0270Vrms±7.0%	2.0 mΩ
A - 4,5,6			0.0270Vrms±7.0%	2.0 mΩ
8 - 12			0.6758Vrms±3.0%	0.45 Ω
12 - 10			0.3242Vrms±4.0%	0.28 Ω

HI-POT TEST :(AT 1 mA, 2SEC.)

PRI. TO SEC. 4400. VAC  
 PRI. TO CORE 4400 VAC

INSULATION RESISTANCE:(AT DC 500V)

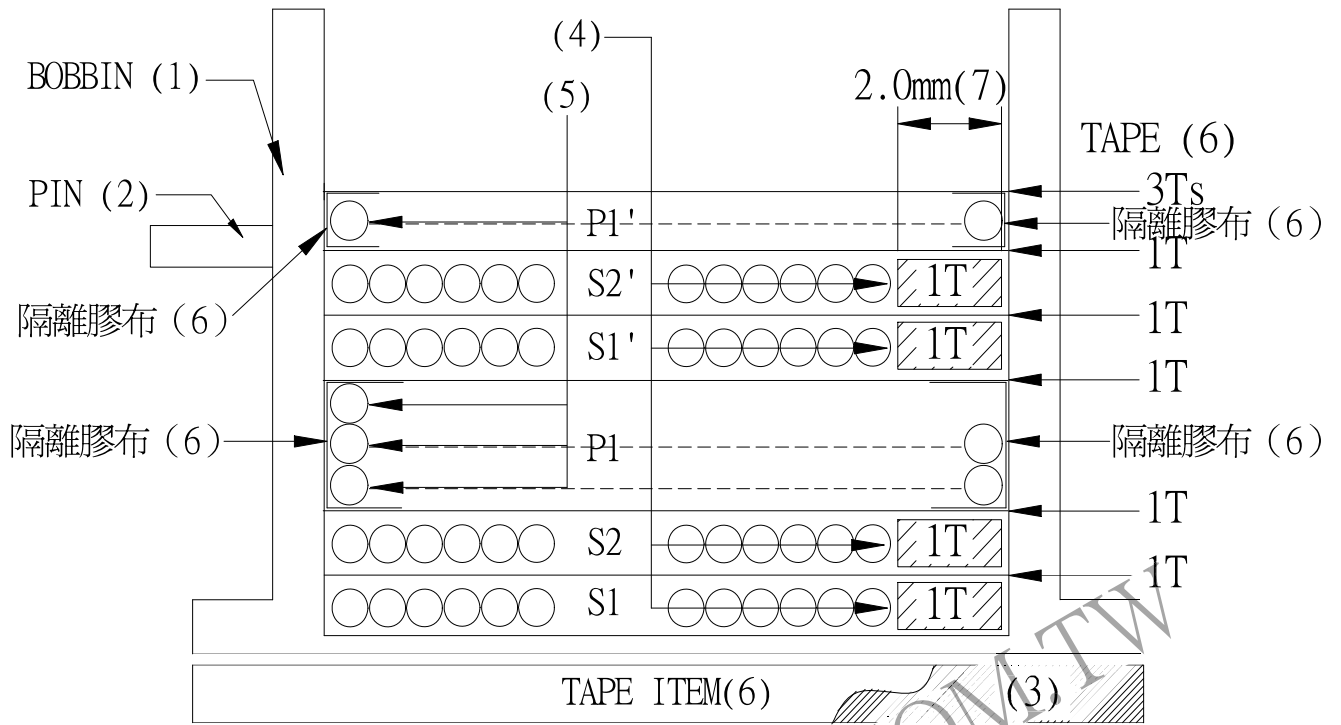
PRI. TO SEC. 100 MΩ MIN.  
 PRI. TO CORE. 100 MΩ MIN.

IMPULSE TEST :1200V -P(8 - 10)

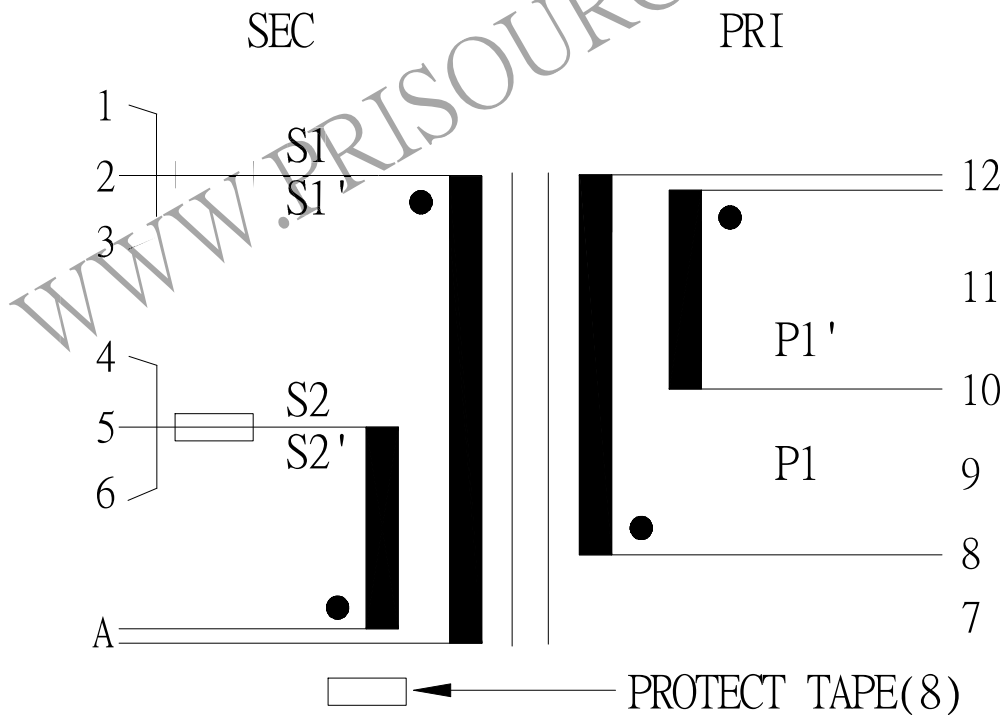
REPORT BY	CHECK BY	APPROVED BY	CUSTOMER :	DATE	
			PART NO : 81P-15013	REV NO.	
			ISSUE NO :	PAGE	4 - 2

PRISOURCE ELECTRONICS CO.,LTD.

#### 4. WINDING SEQUENCE:



#### 5. SCHEMATIC:



REPORT	BY	CHECK	BY	APPROVED	BY	CUSTOMER :	DATE
						PART NO : 81P-15013	REV NO.
						ISSUE NO :	PAGE
							4 - 3