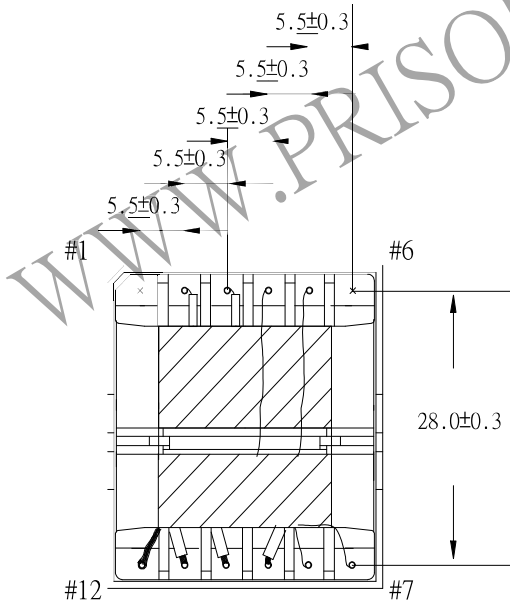
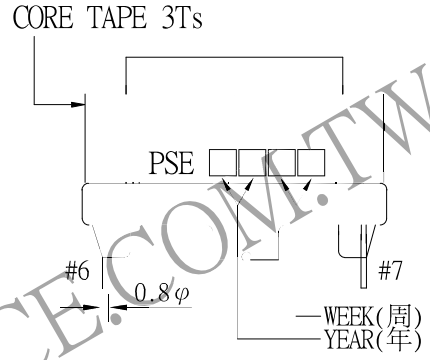
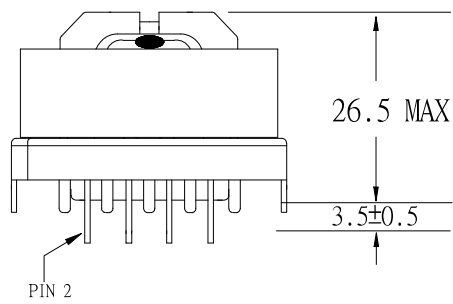
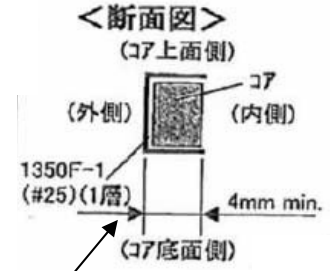
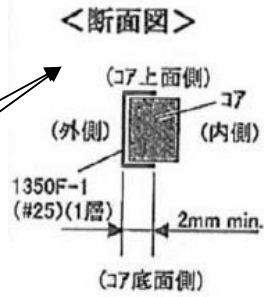
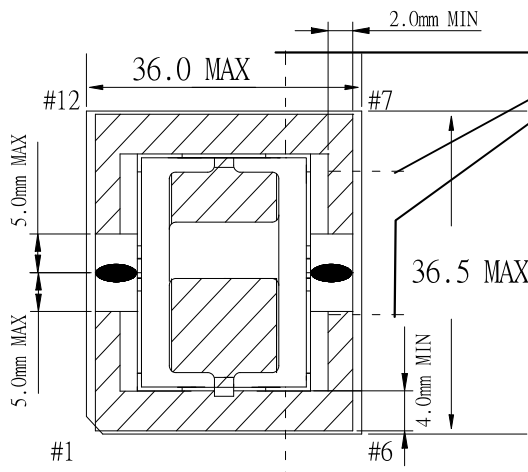
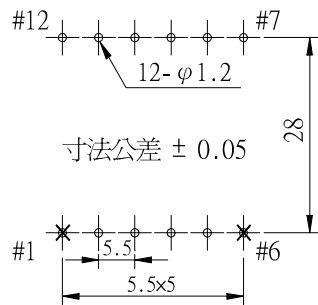


1. MECHANICAL & ASSEMBLY :



以下の治具に容易に挿入できること。



NOTE:

1. EPOXY FIXED BETWEEN CORE & CORE (TTL:2 POINTS)
2. EPOXY FIXED TOP OF BOBBIN & CORE.(ONE POINT AT PIN1-6 SIDE).
3. PIN 1,6 NO.

REPORT BY	CHECK BY	APPROVED BY	CUSTOMER :	DATE
			PART NO : 81P-13011	REV NO.
			ISSUE NO :	PAGE 4 - 1

2. WINDING CONFIGURATION:

STEP	WINDING	MARGIN TAPE	START-FINISH	COPPER WIRE	TURNS	LAYER TAPE	TUBE	METHOD
1	P1		2 - 3	0.10 ϕ /40C 50Ts/m 以上	35	1T/1T/1T/3Ts	#16/#16	CLOSE
2	S1		10 - 12	0.10 ϕ /100C 45Ts/m 以上	4	1T	#12	BIFILAR, CLOSE
3	S2		11 - 9	0.10 ϕ /100C 45Ts/m 以上	4		#12/#12	
4	S3		8 - 7	TEX-E 0.30 ϕ	2	1T		SPACE
5	P2		5 - 4	TEX-E 0.30 ϕ	3	3Ts		CLOSE Center

- NOTE: 1. **P2** 卷組 從中央開始朝⑦~⑫PIN 側繞
 2. **S1,S2**: 並繞 (繞線 4Ts,共 2 層,每層 2Ts)

3. ELECTRICAL CHARACTERISTICS:

PIN NO.	INDUCTANCE 1.0KHz, 1.0Vrms	LEAKAGE INDUCTANCE 1KHZ, 1V	VOLTAGE RATIO(V) f= 20KHz	DCR (MAX) AT 25°C
2 - 3	592.0uH \pm 10.0%	79.5uH \pm 10.0%	INPUT 1Vrms	135.0m Ω
10 - 12		SHORT	0.1081V \pm 4.0%	7.0m Ω
11 - 9		SHORT	0.1081V \pm 4.0%	7.0m Ω
8 - 7		SHORT	0.0542V \pm 5.0%	45.0m Ω
5 - 4			0.0815V \pm 5.0%	70.0m Ω

HI-POT TEST : (AT 1 mA, 2 SEC)

PRI. TO SEC. 4800 VAC

PRI. TO CORE. 4800 VAC

SEC. TO CORE. 720 VAC

INSULATION RESISTANCE: (AT DC500V)

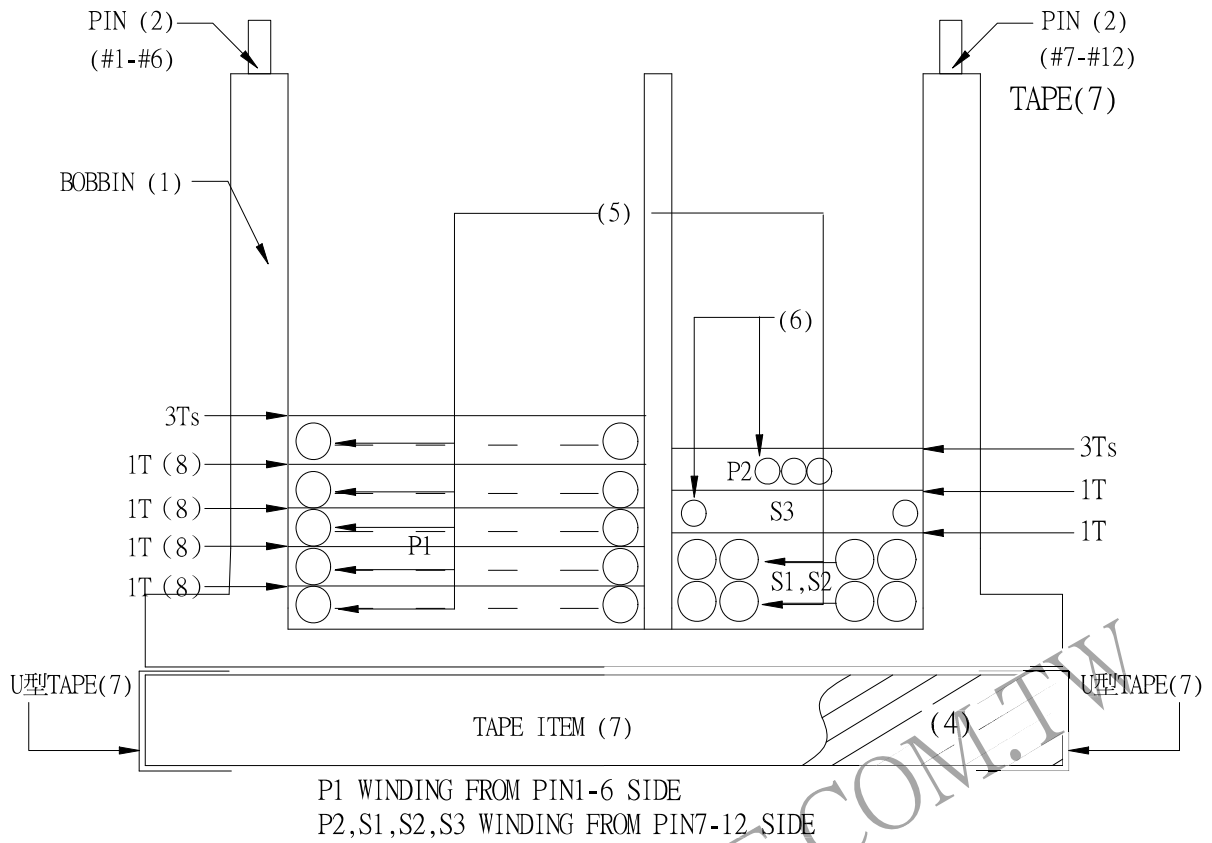
PRI. TO SEC. 100 M Ω MIN.

PRI. TO CORE. 100 M Ω MIN.

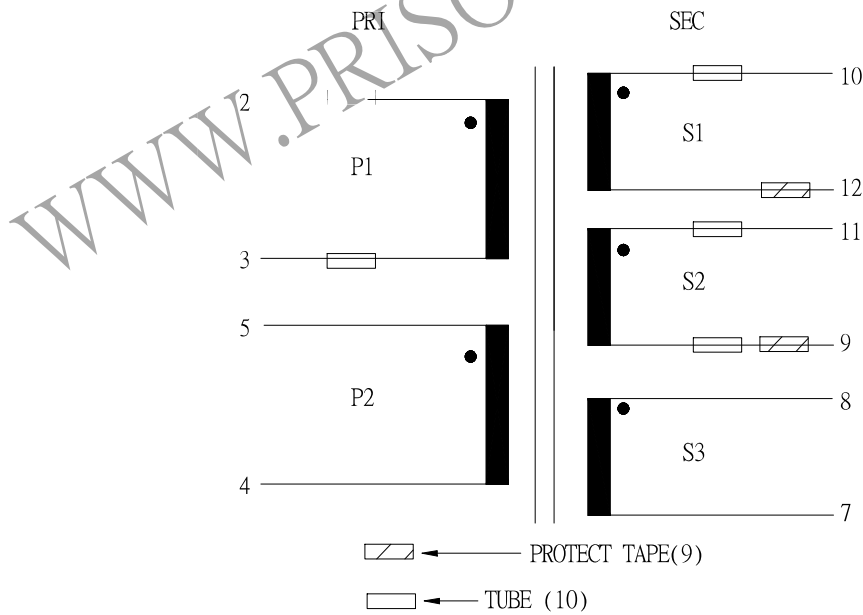
SEC. TO CORE. 100 M Ω MIN.

REPORT BY	CHECK BY	APPROVED	CUSTOMER :	DATE	
			PART NO : 81P-13011	REV NO.	
			ISSUE NO :	PAGE	4 - 2

4. WINDING SEQUENCE:



5. SCHEMATIC:



REPORT	BY	CHECK	APPROVED	CUSTOMER :	DATE	
				PART NO : 81P-13011	REV NO.	
				ISSUE NO :	PAGE	4 - 3