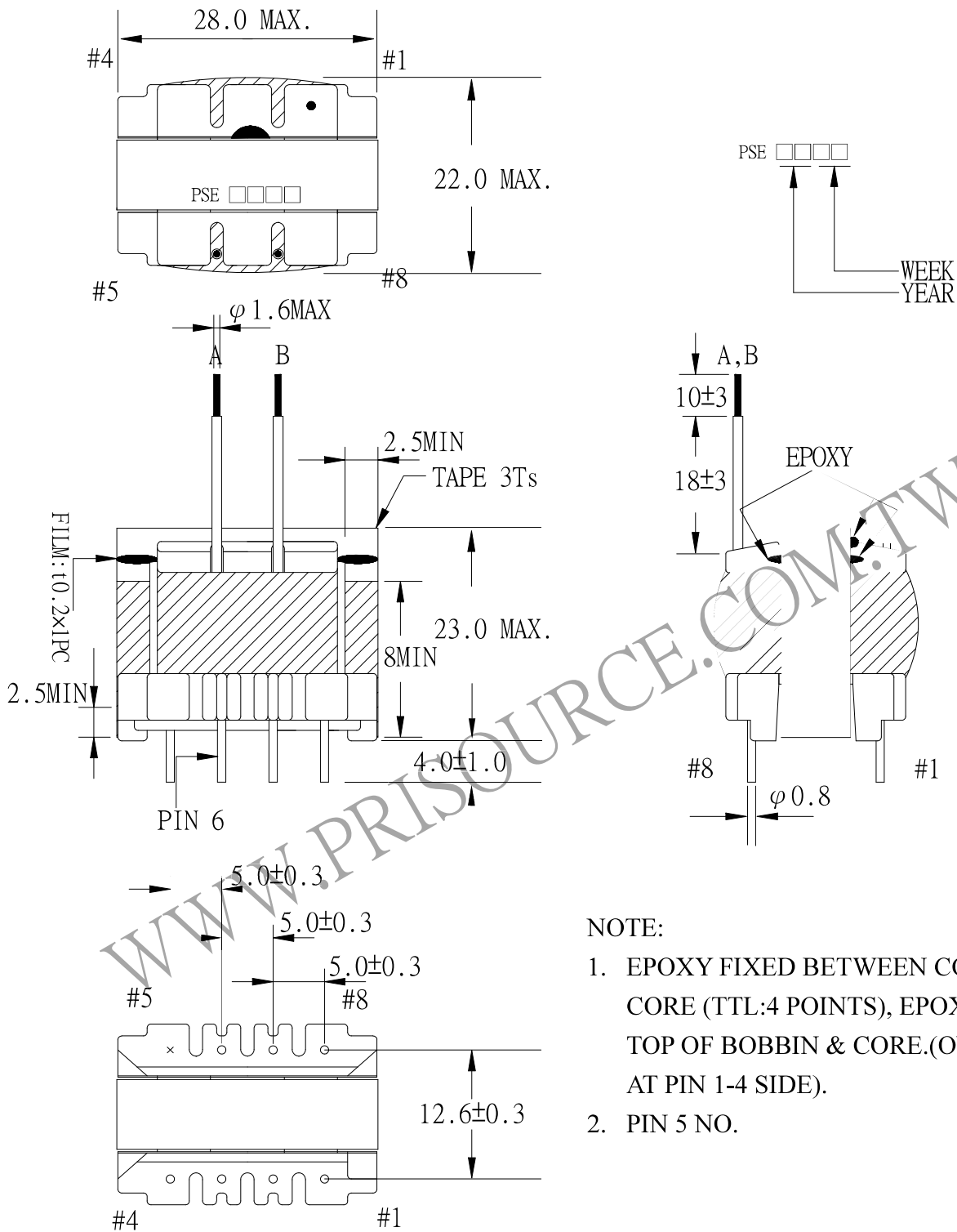


1. MECHANICAL & ASSEMBLY :



NOTE:

1. EPOXY FIXED BETWEEN CORE & CORE (TTL:4 POINTS), EPOXY FIXED TOP OF BOBBIN & CORE.(ONE POINT AT PIN 1-4 SIDE).
2. PIN 5 NO.

UNIT : m/ m

REPORT BY	CHECK BY	APPROVED BY	CUSTOMER :	DATE	
			PART NO : 81P-12004	REV NO.	
			ISSUE NO :	PAGE	4 - 1

2. WINDING CONFIGURATION:

STEP	WINDING	MARGIN TAPE	START-FINISH	COPPER WIRE	TURNS	LAYER TAPE	METHOD	TUBE
1	PM1	~/1.5mm×1T	1 - C	0.27φ	27	3Ts	CLOSE	
2	S1	1.0/1.0mm×2Ts	B - A	TIW-2 0.60φ×2	3	1T	SPACE	
3	S3	1.0/1.0mm×2Ts	6 - 8	TIW-2 0.30φ	15	1T	CLOSE	0.80φ
4	S2	1.0/1.0mm×2Ts	8 - 7	TIW-2 0.45φ	14	3Ts	CLOSE/SPACE	0.80φ
5	PM2	1.0/1.5mm×2Ts	C - 2	0.27φ	41	1T/1T	CLOSE/SPACE	
6	PVCC	1.0/1.5mm×1T	3 - 4	0.27φ	12	3Ts	SPACE	
7	抽頭		C -			1T		0.80φ

NOTE:

3. ELECTRICAL CHARACTERISTICS:

PIN NO.	INDUCTANCE 100 KHz, 0.3V _{rms}	LEAKAGE INDUCTANCE KHz, V _{rms}	VOLTAGE RATIO(V) f= 20KHz INPUT 1V _{rms}	DCR MAX. AT 25°C
1 - 2	840uH±30%			1.5Ω
B - A			0.0441V _{rms} ±7.0%	7.0mΩ
6 - 8			0.2188V _{rms} ±4.0%	216.0mΩ
8 - 7			0.2065V _{rms} ±4.0%	100.0mΩ
3 - 4			0.1776V _{rms} ±4.0%	0.28Ω

HI-POT TEST : (AT 1 mA, 2 SEC)

PRI TO SEC 4800 VAC

PRI TO CORE 1800 VAC

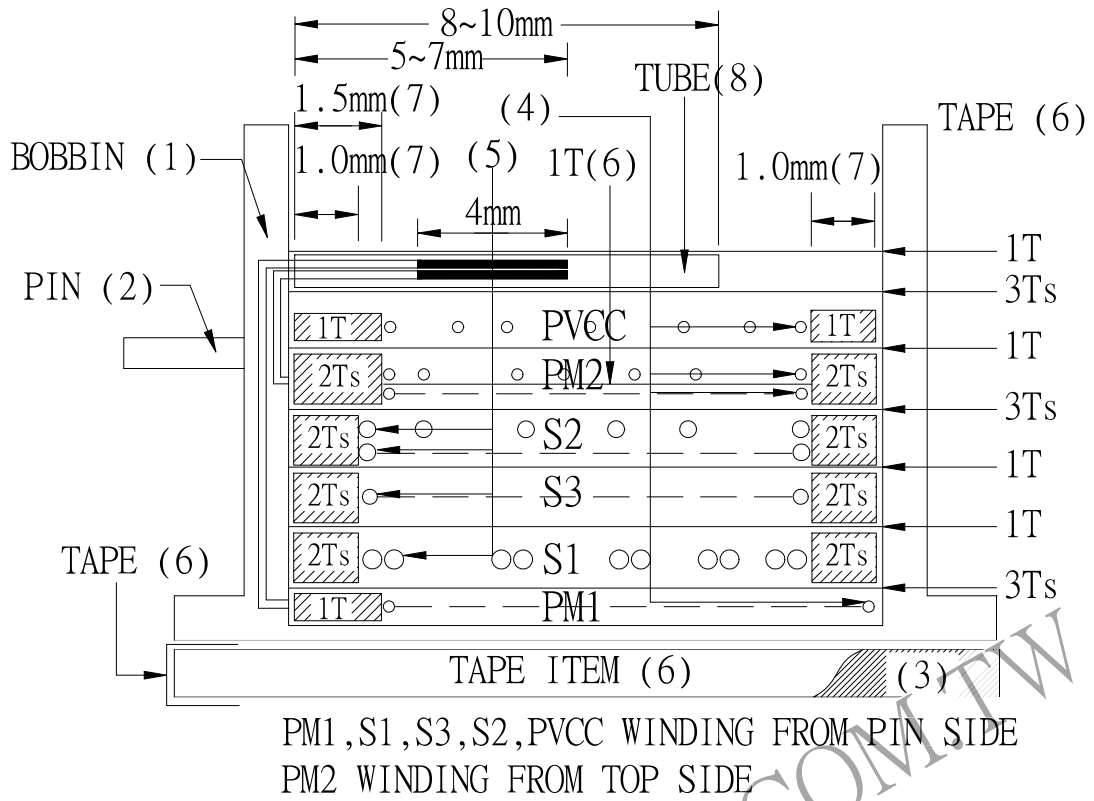
INSULATION RESISTANCE: (AT DC 500V)

PRI TO SEC. 100 MΩ MIN.

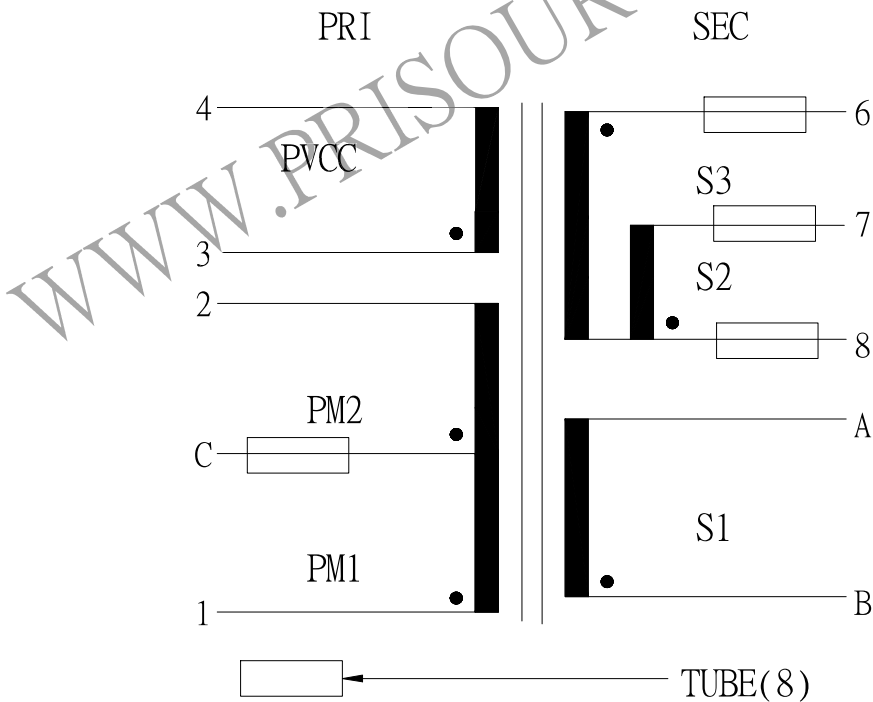
PRI TO CORE. 100 MΩ MIN.

REPORT BY	CHECK BY	APPROVED	CUSTOMER :	DATE
			PART NO : 81P-12004	REV NO.
			ISSUE NO :	PAGE 4 - 2

4. WINDING SEQUENCE:



5. SCHEMATIC:



REPORT BY	CHECK BY	APPROVED BY	CUSTOMER :	DATE
			PART NO : 81P-12004	REV NO.
			ISSUE NO :	PAGE 4 - 3