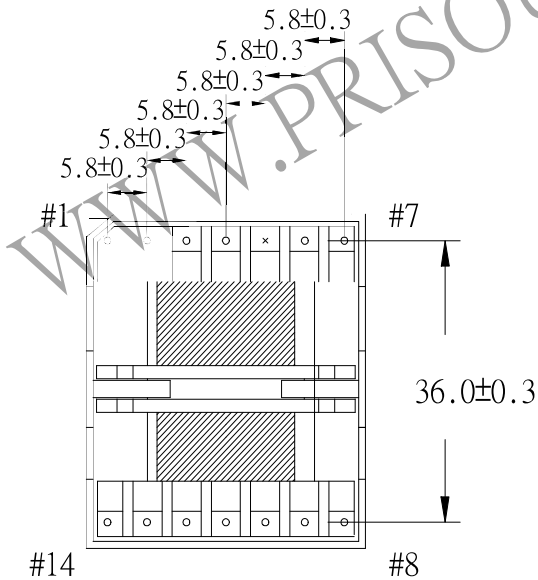
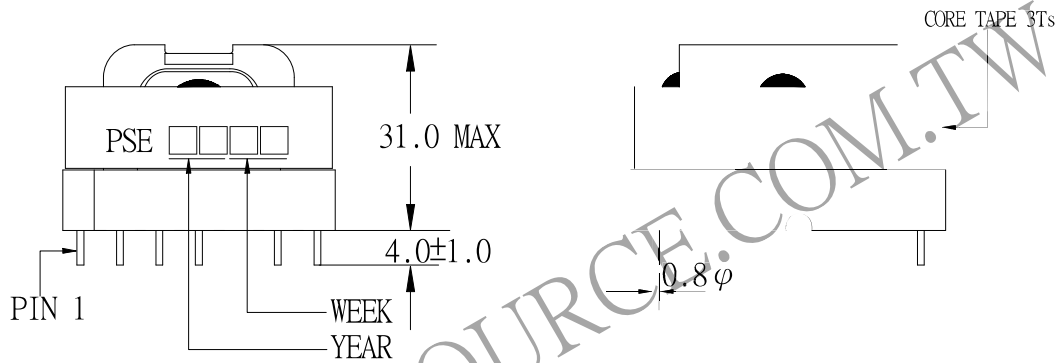
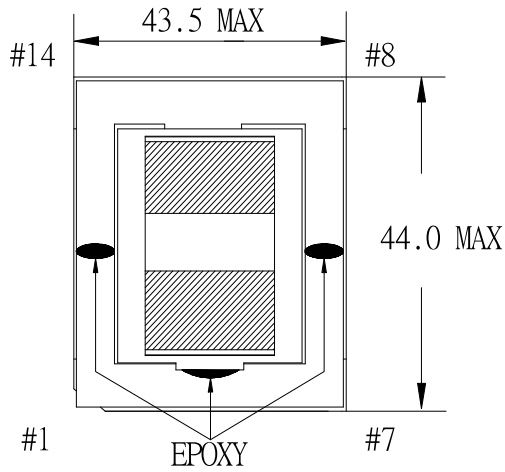


1. MECHANICAL & ASSEMBLY :



NOTE:

1. EPOXY FIXED BETWEEN CORE & CORE (TTL:2 POINTS)
2. EPOXY FIXED TOP OF BOBBIN & CORE.(ONE POINT AT PIN1-7 SIDE).
3. PIN 5 NO

UNIT : m/ m

REPORT BY	CHECK BY	APPROVED BY	CUSTOMER :	DATE	
			PART NO : 54P-16114	REV NO.	
			ISSUE NO :	PAGE	4 - 1

2. WINDING CONFIGURATION:

STEP	WINDING	MARGIN TAPE	START-FINISH	COPPER WIRE	TURNS	LAYER TAPE	METHOD
1	P1		3 - 4	0.1 ϕ /80C	33	1T	CLOSE
2	P2		2 - 1	0.35 ϕ	2	1T	CLOSE
3	P3		7 - 6	0.35 ϕ	2	3Ts	CLOSE , AFTER P2
4	S1-2		10,11 - 13,14	0.12 ϕ /100C x2	2	2Ts	BIFILAR, CLOSE
5	S1-1		8,9 - 10,11	0.12 ϕ /100C x2	2		
6	S1-2		11,12 - 13,14	0.12 ϕ /100C x2	2	3Ts	BIFILAR, CLOSE
7	S1-1		8,9 - 10,12	0.12 ϕ /100C x2	2		

NOTE:P1 卷組起始線需要貼隔離膠布#44-A w=10mm 一片，待繞完后反折回線包。

3. ELECTRICAL CHARACTERISTICS:

PIN NO.	INDUCTANCE 100 KHz, 1.0Vrms	LEAKAGE INDUCTANCE 100 KHz, 1.0Vrms	VOLTAGE RATIO(V) f= 20KHz	DCR MAX. AT 25°C
3 - 4	475.0 μ H \pm 10%	77.0 μ H \pm 10%	INPUT 1 Vrms	70.0 m Ω MAX.
2 - 1			0.0620Vrms \pm 5.0%	40.0 m Ω MAX.
7 - 6			0.0619Vrms \pm 5.0%	42.0 m Ω MAX.
10,11-13,14		SHORT	0.0556Vrms \pm 3.0%	1.70 m Ω MAX.
8,9-10,11		SHORT	0.0556Vrms \pm 3.0%	1.70 m Ω MAX.
11,12-13,14		SHORT	0.0557Vrms \pm 3.0%	1.70 m Ω MAX.
8,9-10,12		SHORT	0.0557Vrms \pm 3.0%	1.70 m Ω MAX.

HI-POT TEST : (AT 1 mA, 1 SEC)

PRI	TO	SEC	3600 VAC
PRI	TO	CORE	1800 VAC
SEC	TO	CORE	1800 VAC

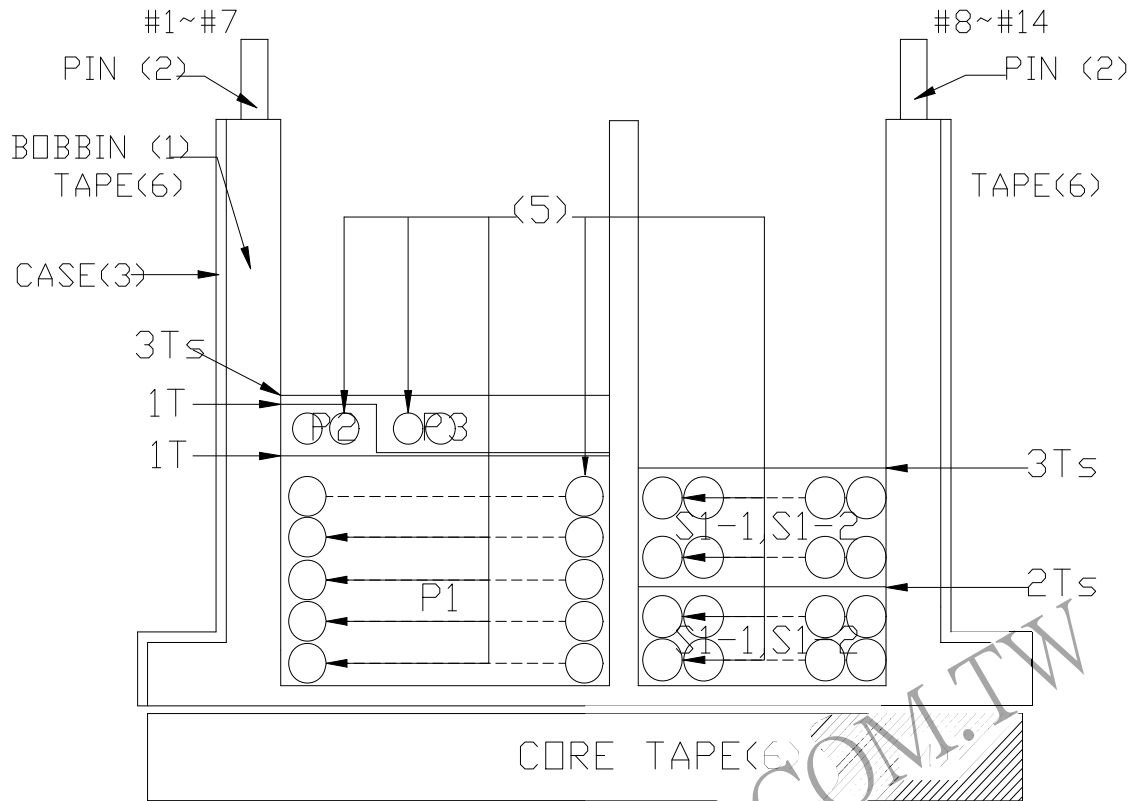
INSULATION RESISTANCE: (AT DC 500V)

PRI	TO	SEC	100 M Ω MIN.
PRI	TO	CORE	100 M Ω MIN.
SEC	TO	CORE	100 M Ω MIN.

IMPULSE TEST: 1200Vo-P(3 - 4)

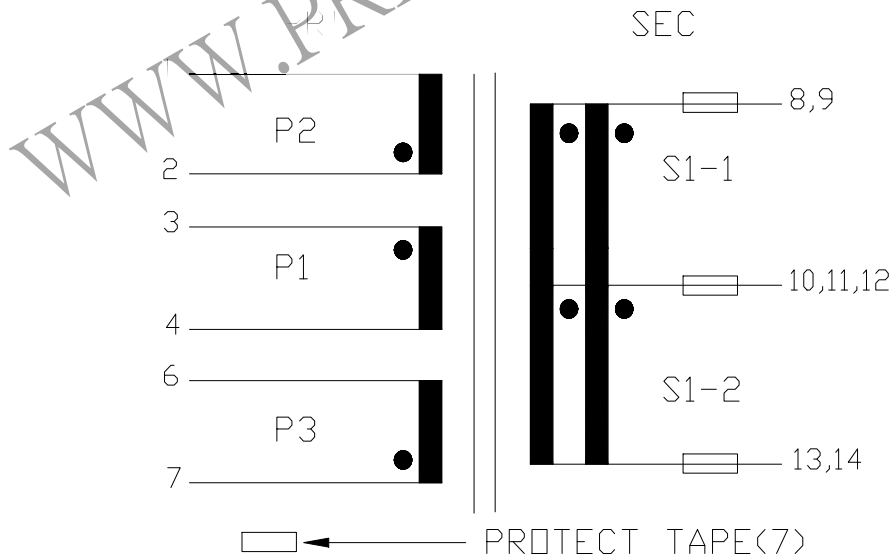
REPORT BY	CHECK BY	APPROVED BY	CUSTOMER :	DATE	
			PART NO : 54P-16114	REV NO.	
			ISSUE NO :	PAGE	4 - 2

4. WINDING SEQUENCE:



P1,P2,P3 WINDING FROM PIN 1-7 SIDE
 S1-1 , S1-2 WINDING FROM PIN 8-14 SIDE

5. SCHEMATIC:



REPORT BY	CHECK BY	APPROVED BY	CUSTOMER :	DATE
			PART NO : 54P-16114	REV NO.
			ISSUE NO :	PAGE 4 - 3