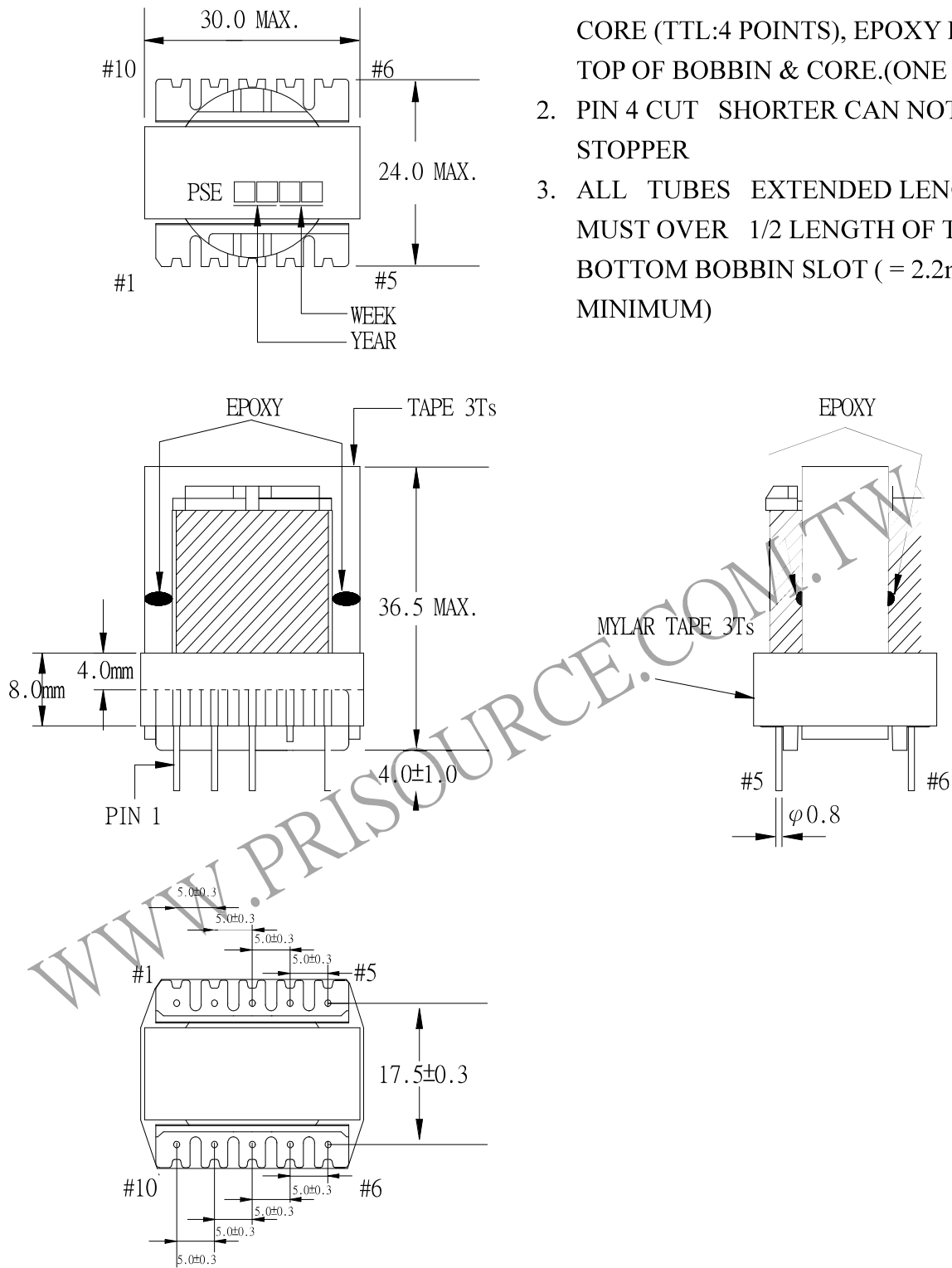


# 1. MECHANICAL & ASSEMBLY :

## NOTE:

1. EPOXY FIXED BETWEEN CORE & CORE (TTL:4 POINTS), EPOXY FIXED TOP OF BOBBIN & CORE.(ONE POINT).
2. PIN 4 CUT SHORTER CAN NOT OVER STOPPER
3. ALL TUBES EXTENDED LENGTH MUST OVER 1/2 LENGTH OF THE BOTTOM BOBBIN SLOT (= 2.2mm MINIMUM)



UNIT : mm

REPORT	BY	CHECK	BY	APPROVED	BY	CUSTOMER :	DATE	
						PART NO : 54P-15067	REV NO.	
						ISSUE NO :	PAGE	4 - 1

## 2. WINDING CONFIGURATION:

STEP	WINDING	MARGIN TAPE	START-FINISH	COPPER WIRE	TURNS	TUBE	LAYER TAPE	METHOD
1	NP1	4.0/4.0mm×1T	3 - 4	0.40φ	30	#18	3Ts	CLOSE
2	NS1	4.0/4.0mm×2Ts	9 - 6	0.75φ	14	#22	3Ts	CLOSE
3	NP2	4.0/4.0mm×1T	4 - 5	0.40φ	30	#18	3Ts	CLOSE
4	NS2	4.0/4.0mm×2Ts	10 - 7	0.75φ	14	#22	3Ts	CLOSE
5	NG1	4.0/4.0mm×1T	1 - 2	0.20φ	2	#22	3Ts	CLOSE Center

NOTE:

## 3. ELECTRICAL CHARACTERISTICS:

PIN NO.	INDUCTANCE 1.0 KHz, 1.0Vrms	LEAKAGE INDUCTANCE KHz, Vrms	VOLTAGE RATIO(V) F= 20KHz	DCR MAX. AT 25°C
3 - 5	6.8 mH MIN		INPUT 1 Vrms	
3 - 4			0.4995 Vrms±4.0%	205.0mΩ
9 - 6			0.2330 Vrms±4.0%	31.0mΩ
4 - 5			0.5006 Vrms±3.0%	0.25 Ω
10 - 7			0.2323 Vrms±4.0%	38.0mΩ
1 - 2			0.0333 Vrms±7.0%	100.0mΩ

HI-POT TEST :( AT 1 mA , 3 SEC )

PRI. TO SEC. 3750 VAC

PRI. TO CORE. 3750 VAC

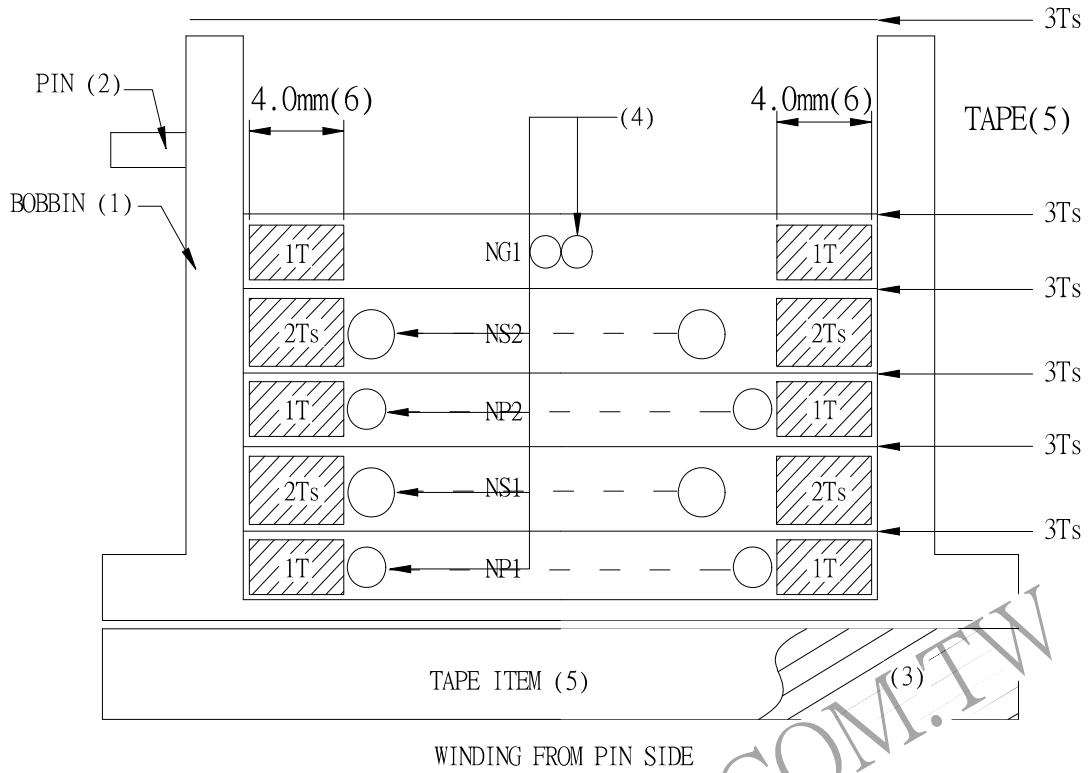
SEC. TO CORE. 3750 VAC

INSULATION RESISTANCE:(AT DC 500V)

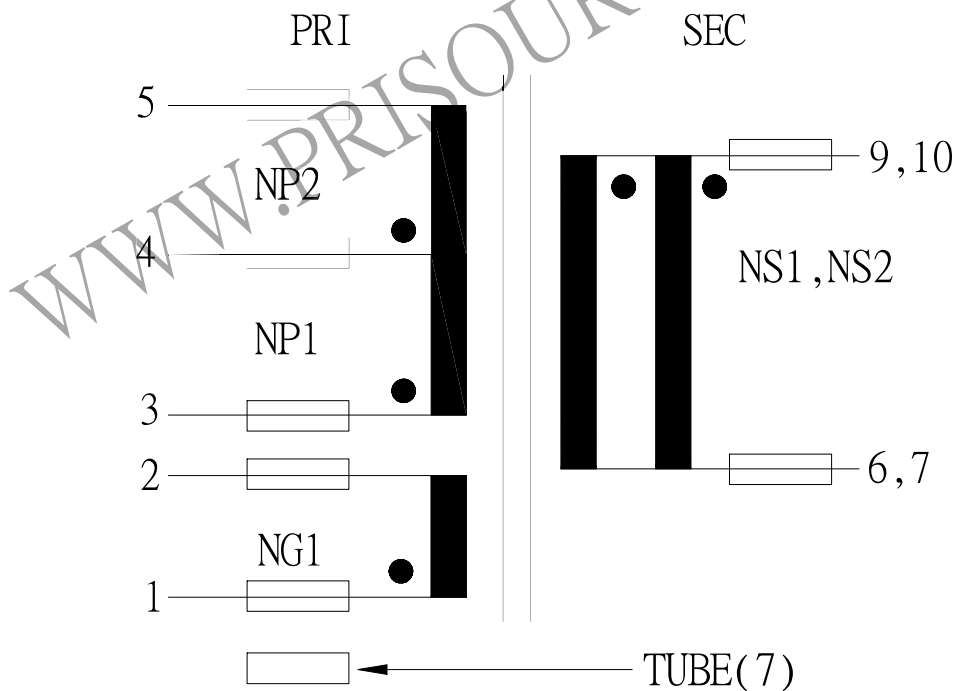
PRI. TO SEC. 50 MΩ MIN.

REPORT BY	CHECK BY	APPROVED BY	CUSTOMER :	DATE	
			PART NO : 54P-15067	REV NO.	
			ISSUE NO :	PAGE	4 - 2

#### 4. WINDING SEQUENCE:



#### 5. SCHEMATIC:



REPORT BY	CHECK BY	APPROVED BY	CUSTOMER :	DATE
			PART NO : 54P-15067	REV NO.
			ISSUE NO :	PAGE
				4 - 3