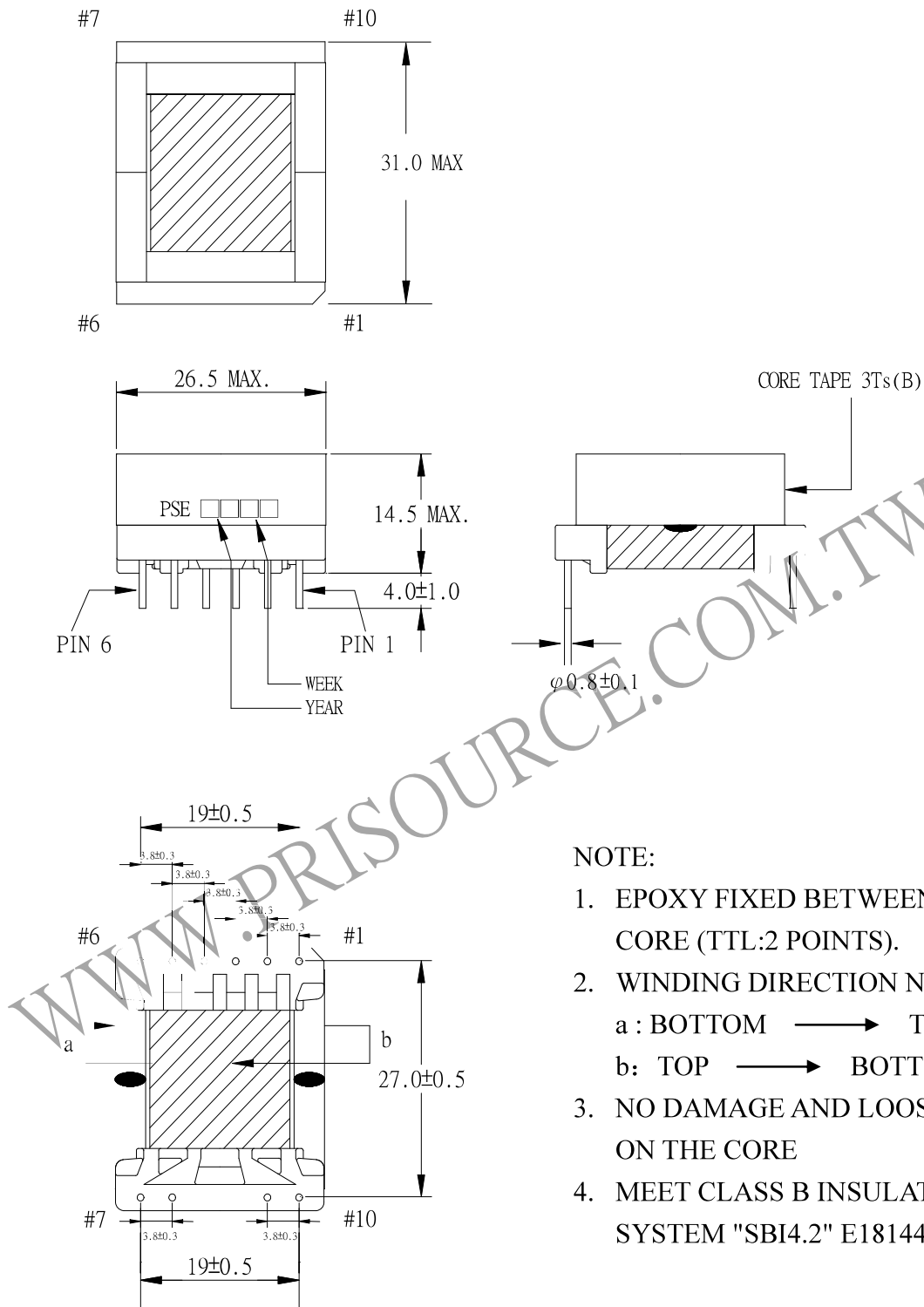


1. MECHANICAL & ASSEMBLY :



NOTE:

1. EPOXY FIXED BETWEEN CORE & CORE (TTL:2 POINTS).
2. WINDING DIRECTION N1,N2,N3,N4
 a : BOTTOM → TOP
 b : TOP → BOTTOM
3. NO DAMAGE AND LOOSENING ON THE CORE
4. MEET CLASS B INSULATION SYSTEM "SBI4.2" E181448

UNIT : m/ m

REPORT BY	CHECK BY	APPROVED BY	CUSTOMER :	DATE	
			PART NO : 54P-14103	REV NO.	
			ISSUE NO :	PAGE	4 - 1

2. WINDING CONFIGURATION :

STEP	WINDING	MARGIN TAPE	START-FINISH	COPPER WIRE	TURNS	LAYER TAPE	METHOD
1	N1		4 - 5	0.36φ	7		CLOSE
2	N2		2 - 3	0.36φ	7		CLOSE
3	N3		6 - 1	0.36φ	1		CLOSE
4	N4-1 槽		7 -	0.12φ	112.5		CLOSE
5	N4-2 槽			0.12φ	112		CLOSE
6	N4-3 槽			0.12φ	112		CLOSE
7	N4-4 槽			0.12φ	112		CLOSE
8	N4-5 槽		- 10	0.12φ	111.5		CLOSE

NOTE:

Wrapping turns:

PIN 1~6 : 2 ~ 3 Ts

PIN 7, 10 : 4 ~ 6 Ts

3. ELECTRICAL CHARACTERISTICS :

PIN NO.	INDUCTANCE 1.0KHz, 0.3Vrms	LEAKAGE INDUCTANCE KHz, Vrms	VOLTAGE RATIO(V) f= 20KHz	DCR MAX. AT 25°C
4 - 5	6.7uH±10%		0.0115V±7.0%	53.40 mΩ
2 - 3	6.7uH±10%		0.0115V±7.0%	55.80 mΩ
6 - 1			0.0016V±7.0%	13.90 mΩ
7 - 10	33.8mH±12%		INPUT 1Vrms	40.0 Ω

HI-POT TEST : (AT 1 mA, 2 SEC)

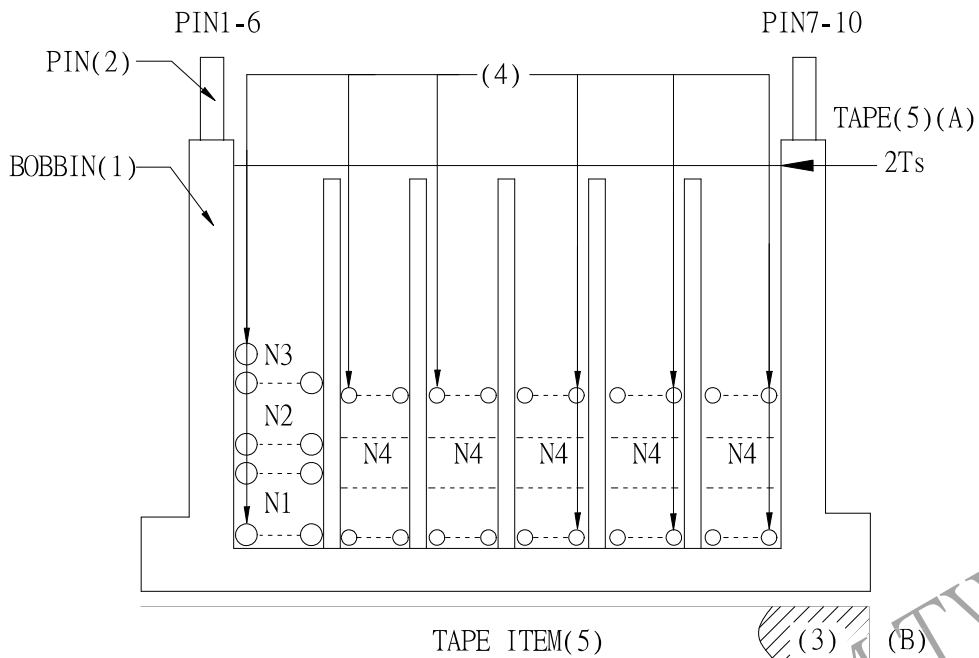
PRI	TO	SEC	5000 VAC
PRI	TO	CORE	2640 VAC
SEC	TO	CORE	2640 VAC
PRI	TO	PRI	880 VAC

INSULATION RESISTANCE: (AT DC 500V)

PRI	TO	SEC	100 MΩ MIN.
PRI	TO	CORE	100 MΩ MIN.
SEC	TO	CORE	100 MΩ MIN.

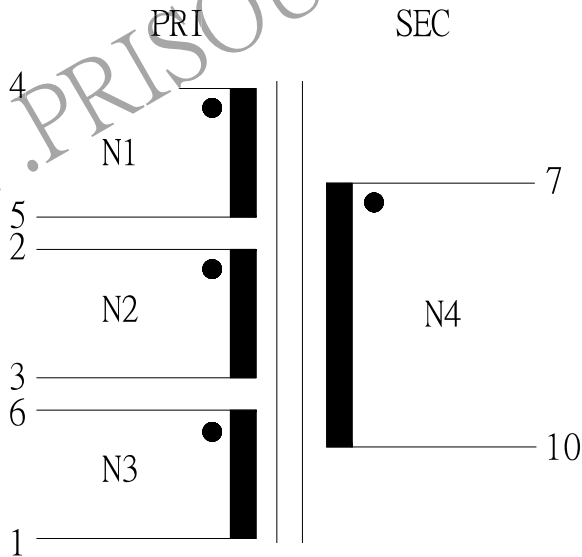
REPORT	BY	CHECK	BY	APPROVED BY	CUSTOMER :	DATE	
					PART NO : 54P-14103	REV NO.	
					ISSUE NO :	PAGE	4 - 2

4. WINDING SEQUENCE :



N1,N2,N3 WINDING FROM PIN 1-6 SIDE
 N4 WINDING FROM PIN 7-10 SIDE

5. SCHEMATIC :



REPORT BY	CHECK BY	APPROVED BY	CUSTOMER :	DATE
			PART NO : 54P-14103	REV NO.
			ISSUE NO :	PAGE
				4 - 3