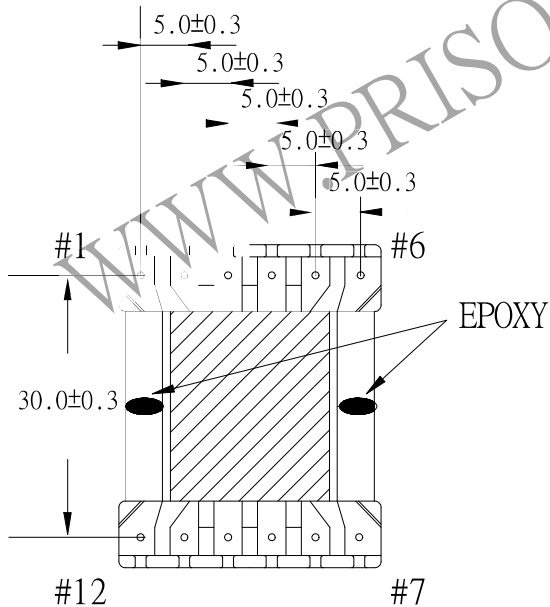
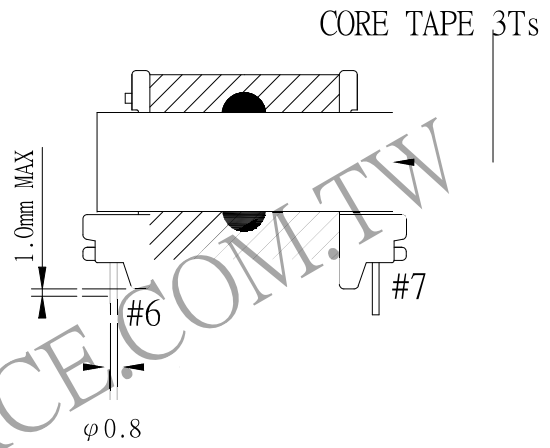
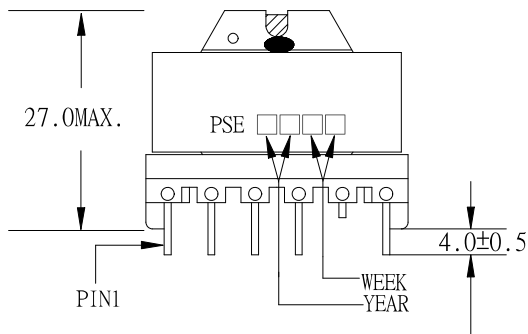
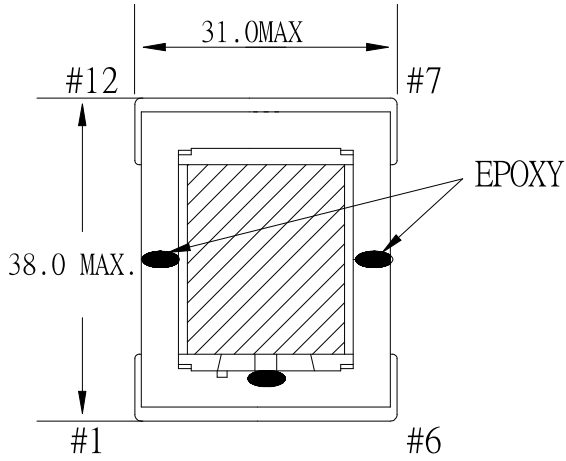


1. MECHANICAL & ASSEMBLY :



NOTE:

1. EPOXY FIXED BETWEEN CORE & CORE (TTL:4 POINTS) POXY FIXED TOP OF BOBBIN & CORE.(ONE POINT AT PIN1-6 SIDE).
2. PIN 5 CUT SHORTER CANT OVER STOPPER.
3. SOLDER POINT CAN BE OVER STAND OFF 1.0 mm MAX

UNIT : m/m

REPORT BY	CHECK BY	APPROVED BY	CUSTOMER :	DATE	
			PART NO : 54P-14094	REV NO.	
			ISSUE NO :	PAGE	4 - 1

2. WINDING CONFIGURATION :

STEP	WINDING	MARGIN TAPE	START-FINISH	COPPER WIRE	TURNS	TUBE	LAYER TAPE	METHOD
1	NP1	2.0mm/1.5mm×1T	6 - 5	0.45 φ×4	7		2Ts	CLOSE
2	NS1	3.0mm/3.0mm×1T	11 - 9	0.60φ×4	5		2Ts	SPACE
3	NP2	2.0mm/1.5mm×1T	5 - 4	0.45 φ×4	8		2Ts	CLOSE
4	NS2	3.0mm/3.0mm×1T	12 - 10	0.60φ×4	5		2Ts	SPACE
5	NP3	2.0mm/1.5mm×1T	4 - 3	0.45 φ×4	8		2Ts	CLOSE
6	NS3	3.0mm/3.0mm×1T	8 - 7	0.26φ	8	#28	2Ts	SPACE
7	NB1	3.0mm/3.0mm×1T	1 - 2	0.26φ	8	#28	3Ts	SPACE

NOTE:

3. ELECTRICAL CHARACTERISTICS:

PIN NO.	INDUCTANCE 1.0 KHz, 1.0V _{rms}	LEAKAGE INDUCTANCE 100KHz, 1.0V _{rms}	VOLTAGE RATIO(V) F= 20KHz INPUT 1 V _{rms}	DCR MAX. AT 25°C
6 - 3	220.0uH±10.0%	1.50uH MAX		
6 - 5			0.3013 V _{rms} ±4.0%	12.0 mΩ
11 - 9		SHORT	0.2144 V _{rms} ±4.0%	6.0 mΩ
5 - 4			0.3478 V _{rms} ±4.0%	16.0 mΩ
12 - 10		SHORT	0.2168 V _{rms} ±4.0%	7.0 mΩ
4 - 3			0.3489 V _{rms} ±4.0%	20.0 mΩ
8 - 7		SHORT	0.3487 V _{rms} ±4.0%	0.23 Ω
1 - 2			0.3486 V _{rms} ±4.0%	0.24 Ω

HI-POT TEST :(AT 1 mA)

PRI. TO SEC. 600 VAC(3SEC)

PRI. TO CORE 600 VAC(2SEC)

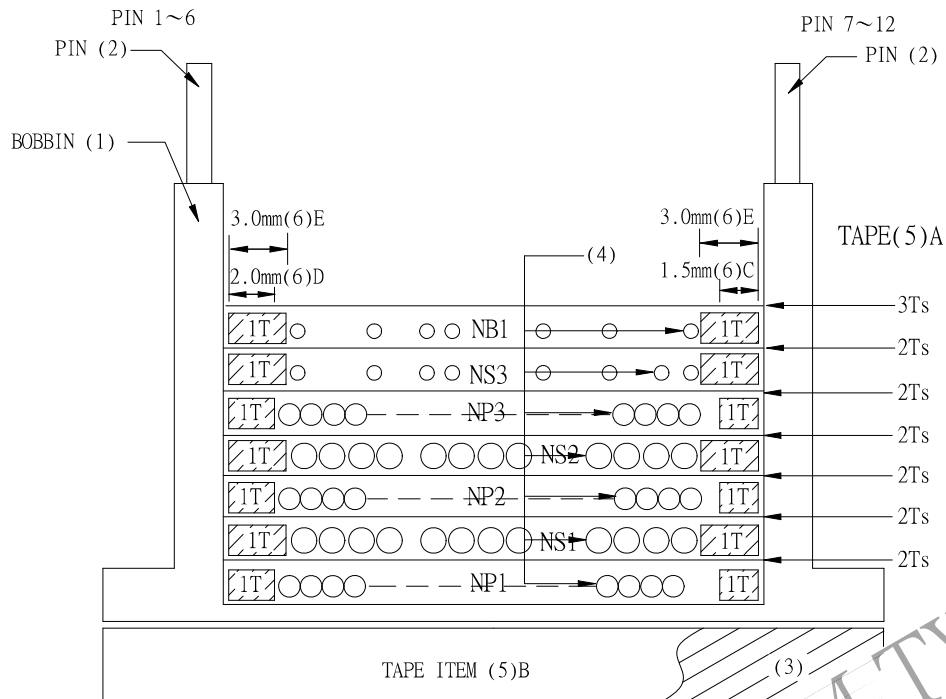
INSULATION RESISTANCE:(AT DC 500V)

PRI. TO SEC. 100 MΩ MIN.

PRI. TO CORE 100 MΩ MIN.

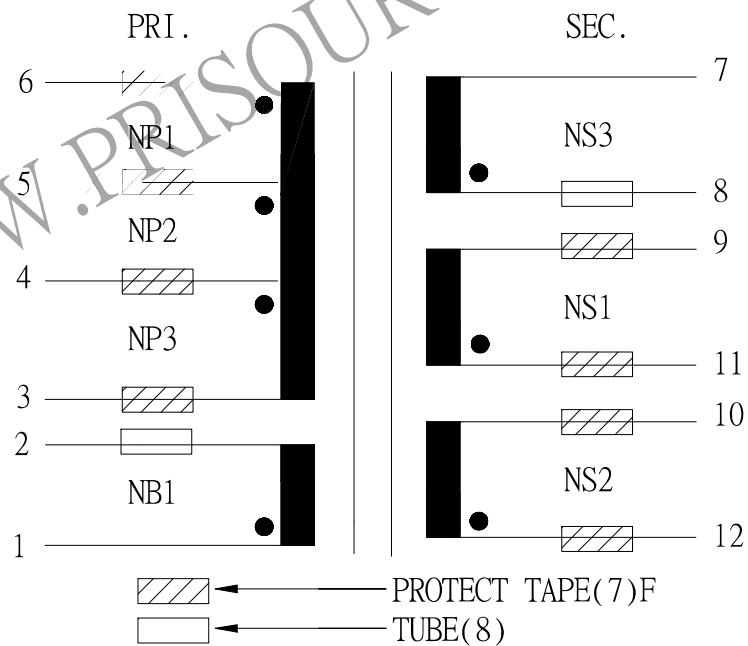
REPORT BY	CHECK BY	APPROVED BY	CUSTOMER :	DATE
			PART NO : 54P-14094	REV NO.
			ISSUE NO :	PAGE 4 - 2

4. WINDING SEQUENCE:



NP1, NP2, NP2', NB1 WINDING FROM PIN 1-6 SIDE
 NS1, NS2, NS3 WINDING FROM PIN 7-12 SIDE

5. SCHEMATIC:



REPORT	BY	CHECK	BY	APPROVED	BY	CUSTOMER :	DATE	
						PART NO : 54P-14094	REV NO.	
						ISSUE NO :	PAGE	4 - 3