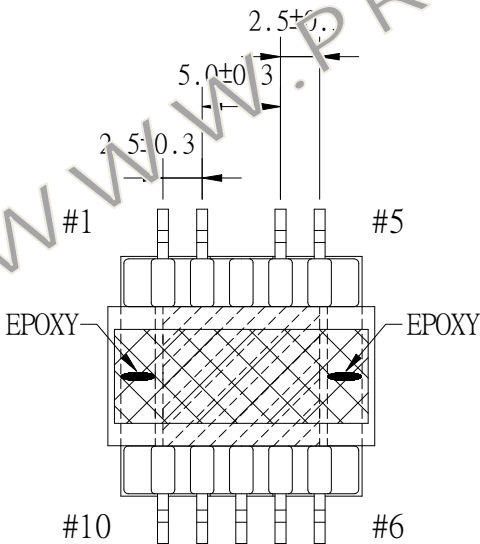
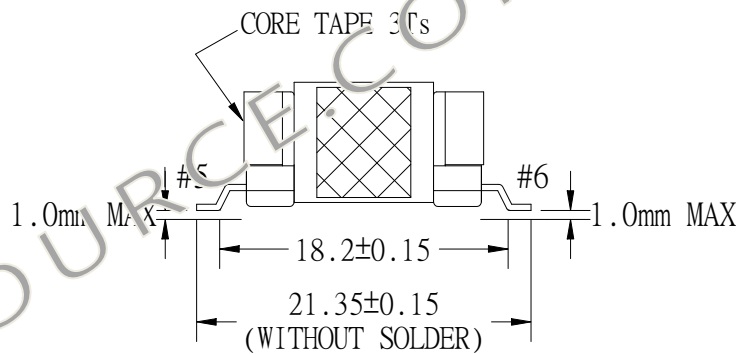
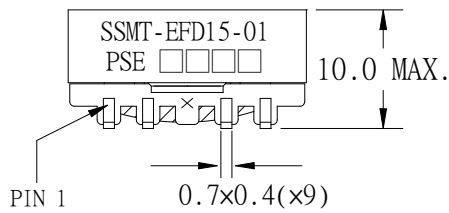
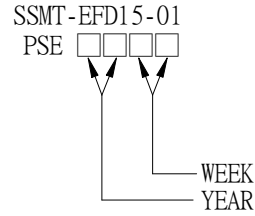
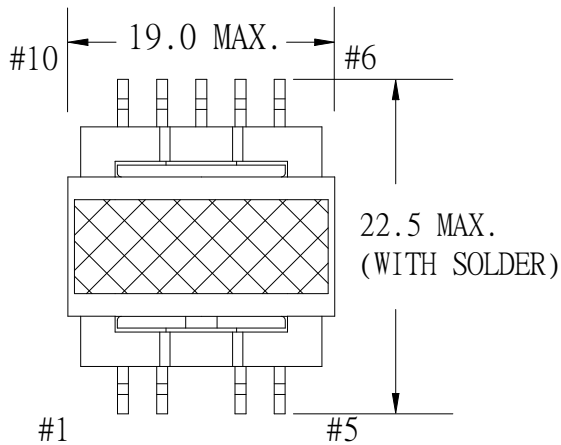


1. MECHANICAL & ASSEMBLY :



NOTE:

1. EPOXY 6020H FIXED BETWEEN BOTTOM OF CORE & CORE TTL:2 POINTS).
2. EPOXY 6020H FIXED BETWEEN CORE & BOBBIN.(ONE POINT AT PIN6-10 SIDE)
3. PIN 3 NO.
4. COPPER FOIL COULD EXCEED BOTTOM OF PIN TERMINAL 1.0mm MAX

UNIT : m/m

REPORT BY	CHECK BY	APPROVED BY	CUSTOMER :	DATE	
			PART NO : SSMT-EFD15-01	REV	
			ISSUE NO : 66P-14003	PAGE	4-1