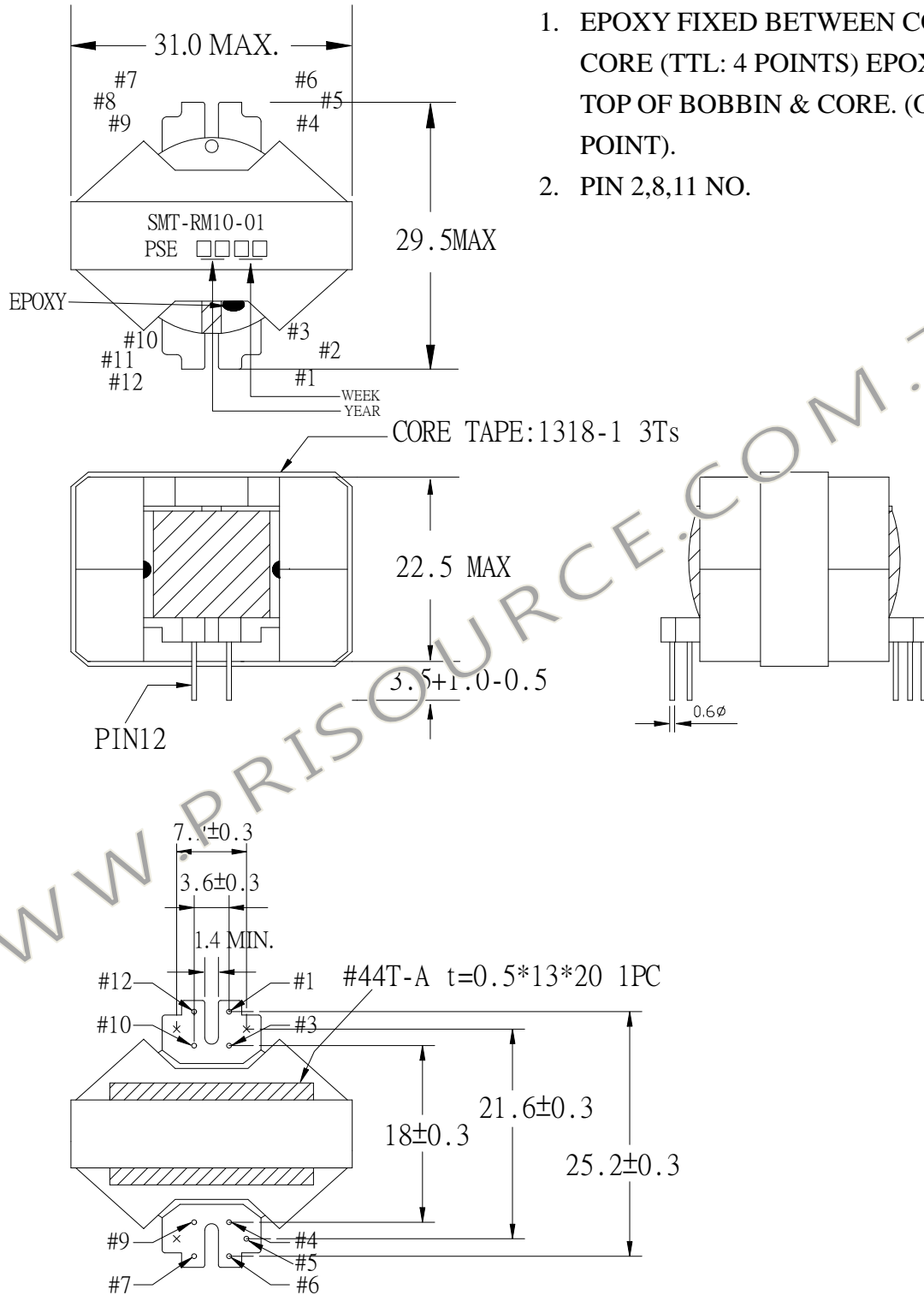


1. MECHANICAL & ASSEMBLY :

NOTE:

1. EPOXY FIXED BETWEEN CORE & CORE (TTL: 4 POINTS) EPOXY FIXED TOP OF BOBBIN & CORE. (ONE POINT).
2. PIN 2,8,11 NO.



UNIT : mm

REPORT BY	CHECK BY	APPROVED BY	CUSTOMER :	DATE	
			PART NO : SMT-RM10-01	REV NO.	
			ISSUE NO : 54P-15049	PAGE	4 - 1