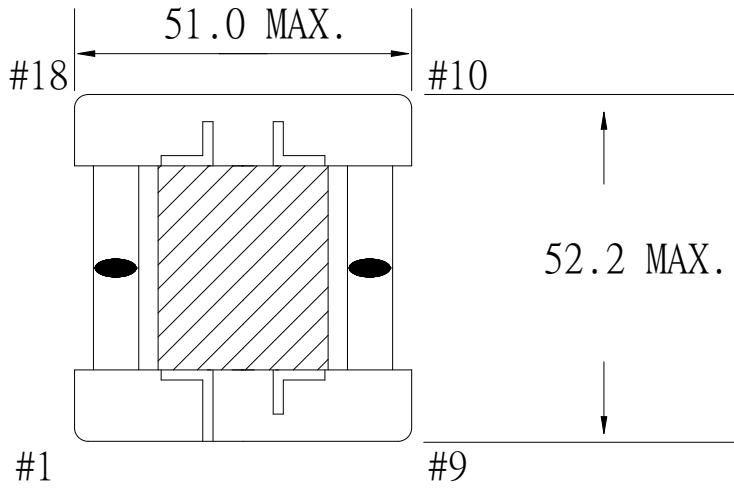
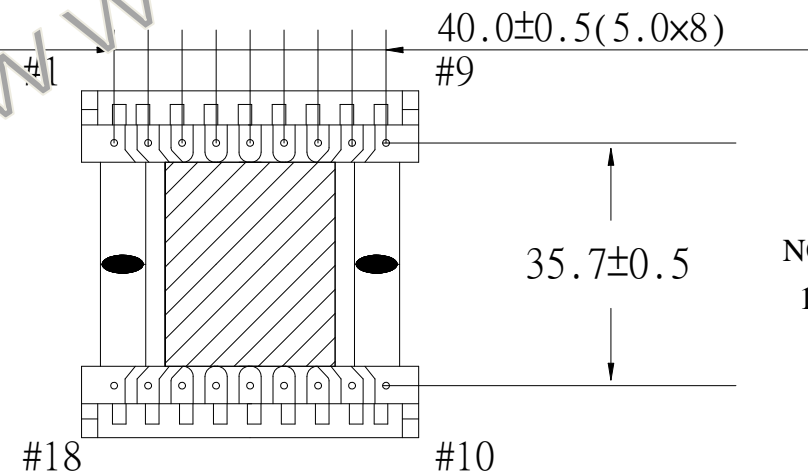
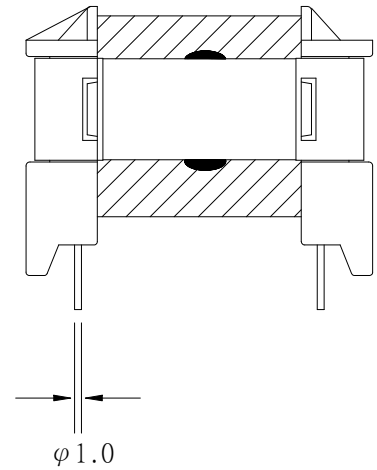
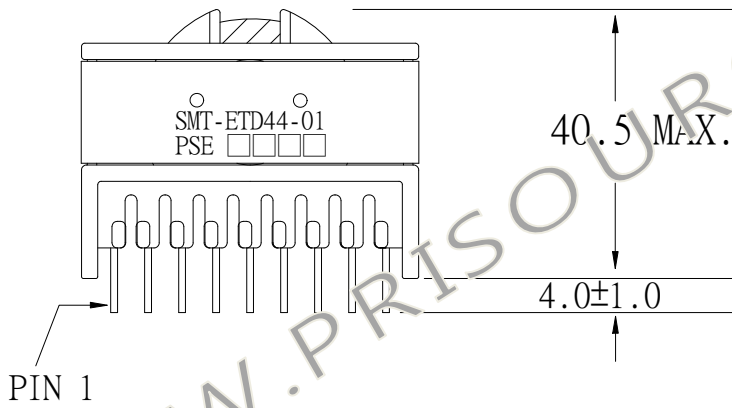


1. MECHANICAL & ASSEMBLY :



SMT-ETD44-01
 PSE □□□□
 WEEK
 YEAR



NOTE:

1. EPOXY FIXED BETWEEN CORE & CORE (TTL: 4 POINTS).

UNIT : m/m

REPORT BY	CHECK BY	APPROVED BY	CUSTOMER :	DATE	
			PART NO : SMT-ETD44-01	REV NO.	
			ISSUE NO : 66P-14001	PAGE	4 - 1