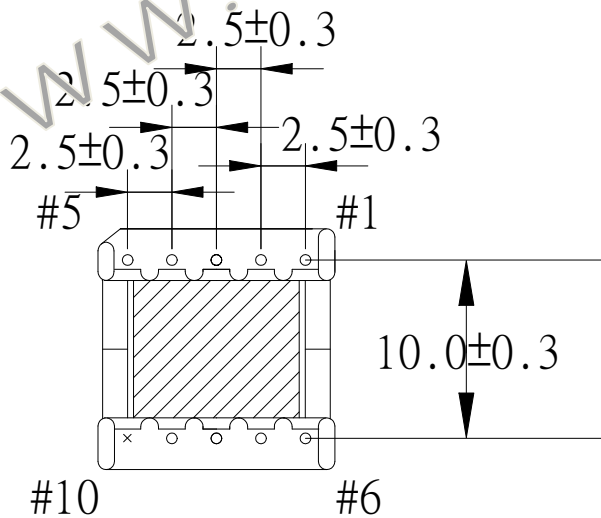
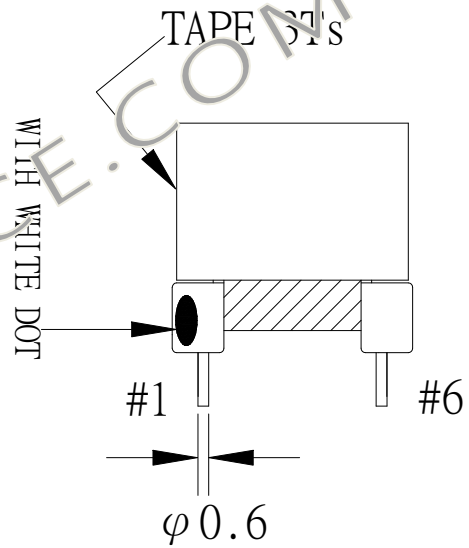
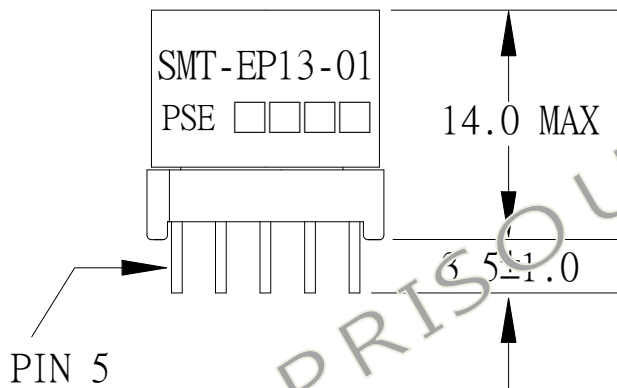
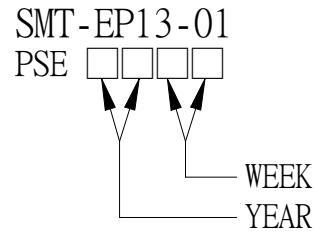
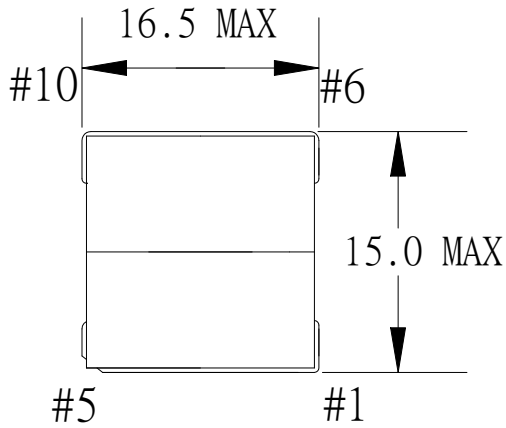


1. MECHANICAL & ASSEMBLY :



NOTE:

1. ADHESIVE 6020H FIXED BETWEEN CORE & CORE (TTL:2 POINTS)
2. PIN 1 WITH WHITE DOT

UNIT : mm

REPORT BY	CHECK BY	APPROVED BY	CUSTOMER :	DATE	
			PART NO : SMT-EP13-01	REV	
			ISSUE NO: 83P-14009	PAGE	4 - 1