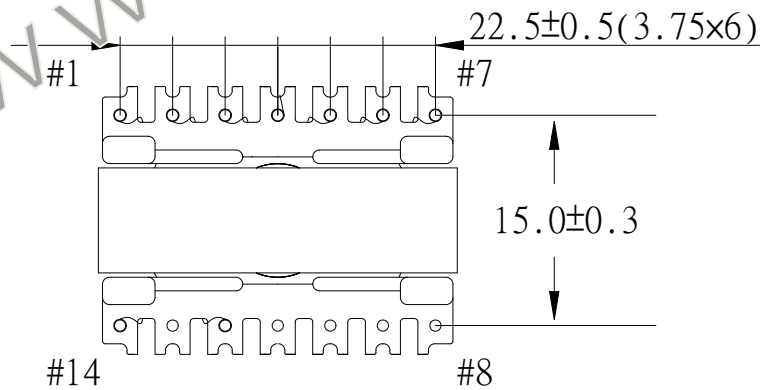
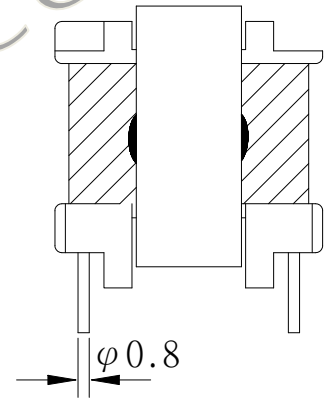
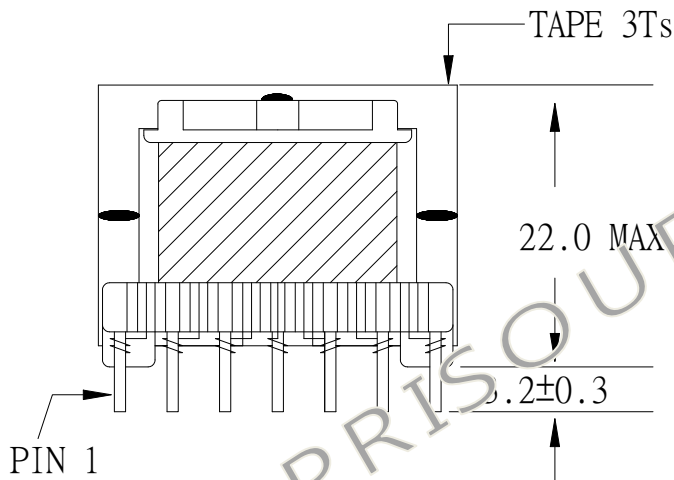
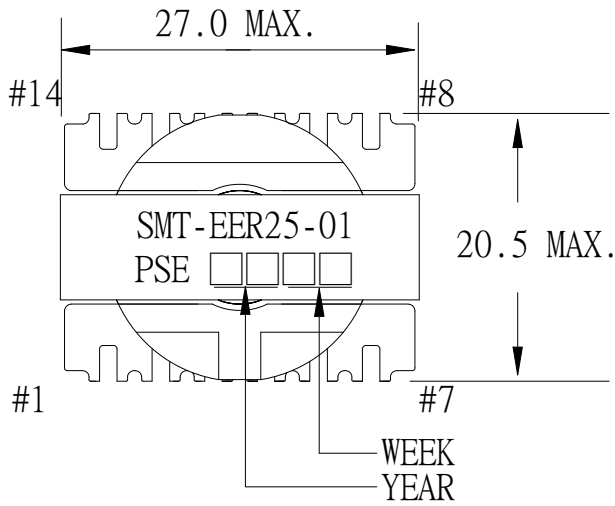


1. MECHANICAL & ASSEMBLY :



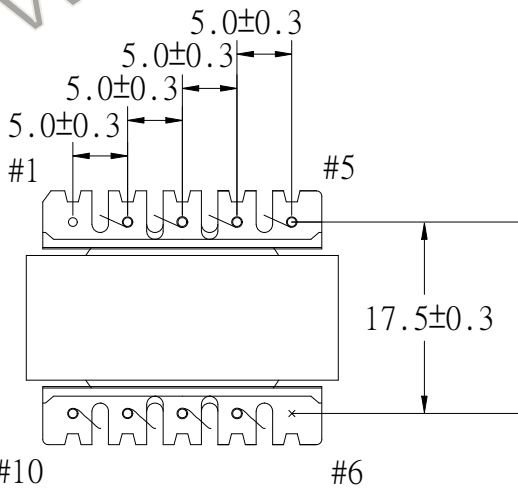
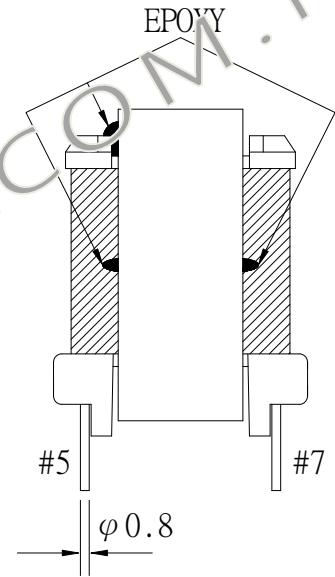
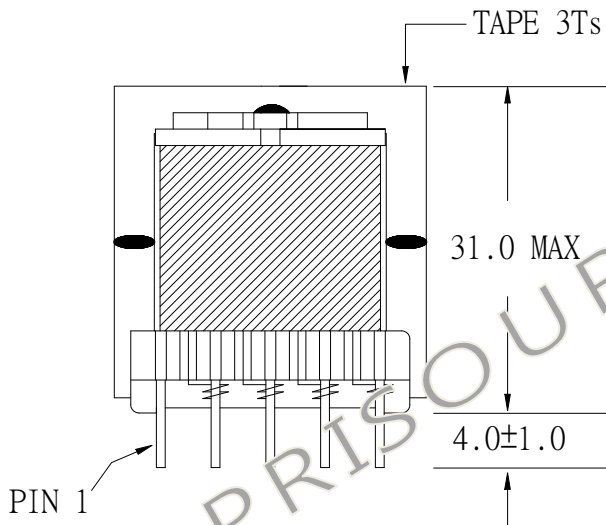
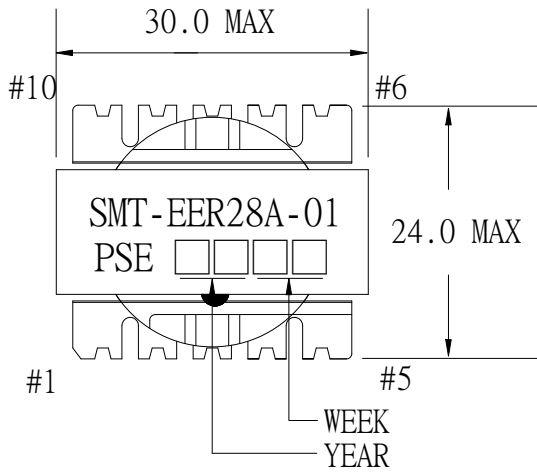
NOTE:

1. EPOXY FIXED BETWEEN CORE & CORE (TTL: 4 POINTS). EPOXY FIXED TOP OF BOBBIN & CORE.(ONE POINT AT PIN1-7 SIDE).

UNIT : m/m

REPORT BY	CHECK BY	APPROVED BY	CUSTOMER :	DATE	
			PART NO : SMT-EER25-01	REV NO.	
			ISSUE NO : 54P-05013	PAGE	4 - 1

1. MECHANICAL & ASSEMBLY :



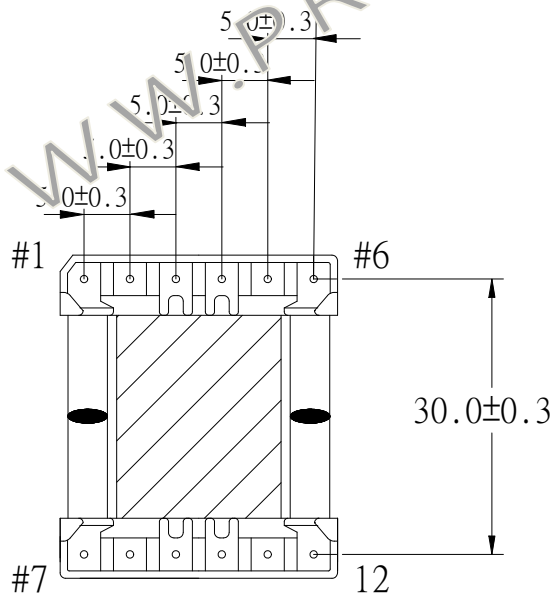
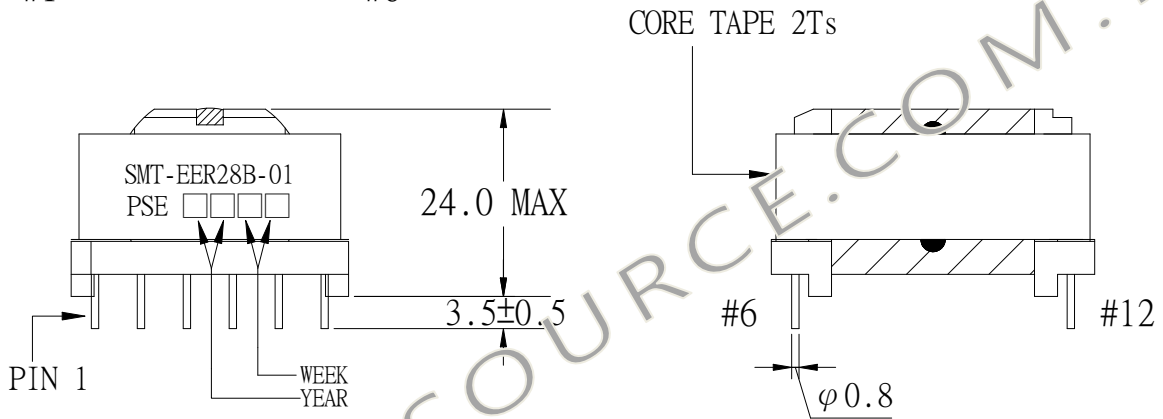
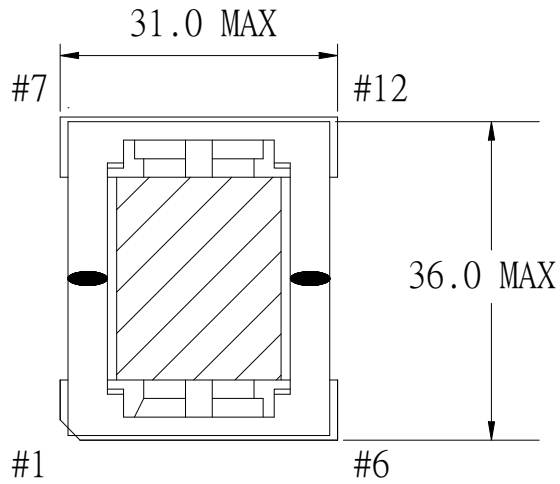
NOTE:

1. EPOXY FIXED BETWEEN CORE & CORE (TTL:4 POINTS). EPOXY FIXED TOP OF BOBBIN & CORE.(ONE POINT AT PIN1-5 SIDE).
2. PIN 6 NO

UNIT : mm

REPORT BY	CHECK BY	APPROVED BY	CUSTOMER :	DATE	'
			PART NO : SMT-EER28A-01	REV NO.	
			ISSUE NO : 81P-15005	PAGE	4 - 1

1. MECHANICAL & ASSEMBLY :



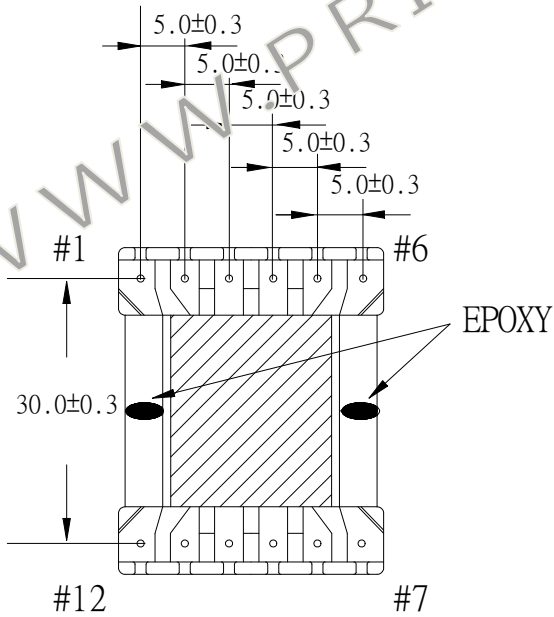
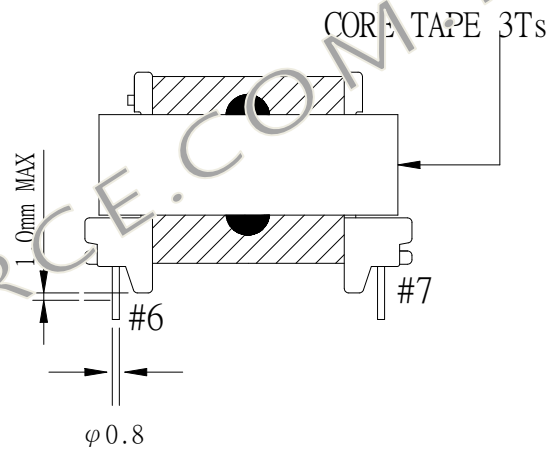
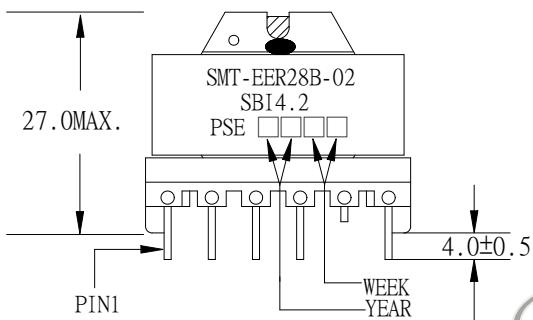
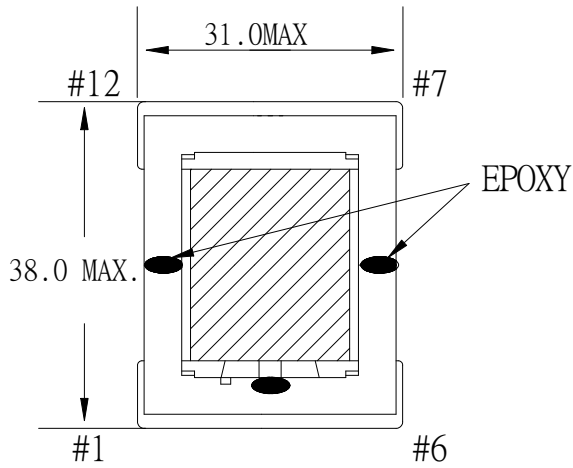
NOTE:

1. EPOXY FIXED BETWEEN CORE & CORE (TTL:4 POINTS) POXYOY FIXED TOP OF BOBBIN & CORE.(ONE POINT).
2. PIN 9,10 CUT SHORTER CAN NOT OVER STOPPER

UNIT : mm

REPORT BY	CHECK BY	APPROVED BY	CUSTOMER :	DATE	
			PART NO : SMT-EER28B-01	REV NO.	
			ISSUE NO : 54P-15052	PAGE	4 - 1

1. MECHANICAL & ASSEMBLY :



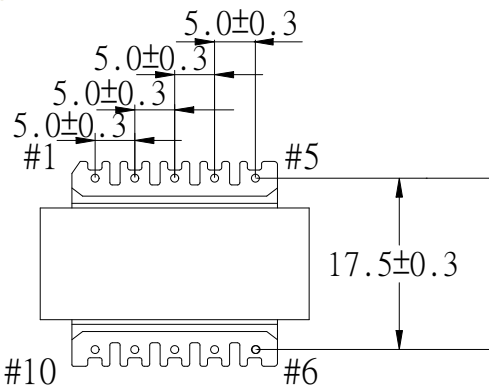
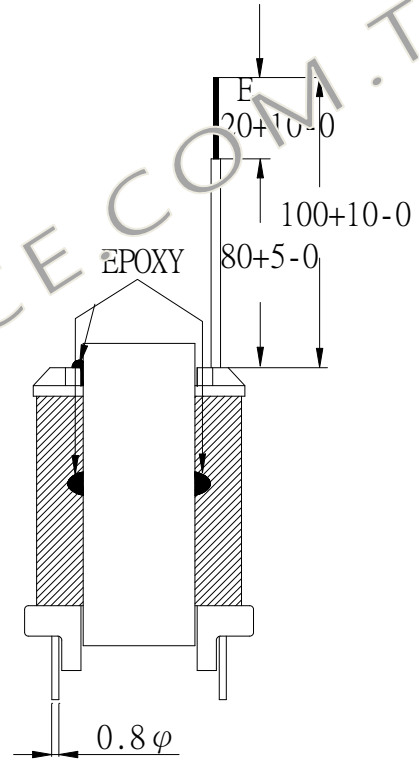
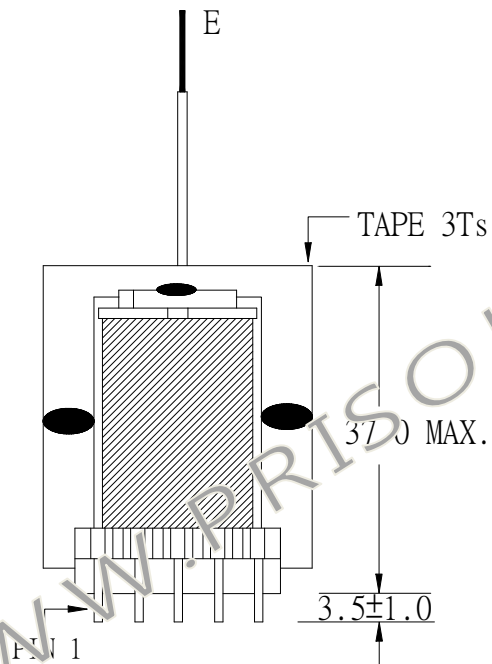
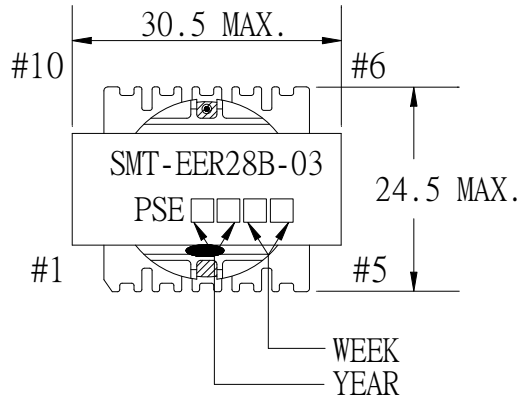
NOTE:

1. EPOXY FIXED BETWEEN CORE & CORE (TTL:4 POINTS) POXY FIXED TOP OF BOBBIN & CORE.(ONE POINT AT PIN1-6 SIDE).
2. PIN 5 CUT SHORTER CAN'T OVER STOPPER.
3. SOLDER POINT CAN BE OVER STAND OFF 1.0 mm MAX

UNIT : m/m

REPORT BY	CHECK BY	APPROVED BY	CUSTOMER :	DATE	
			PART NO : SMT-EER28B-02	REV NO.	
			ISSUE NO : 54P-14094	PAGE	4 - 1

1. MECHANICAL & ASSEMBLY :



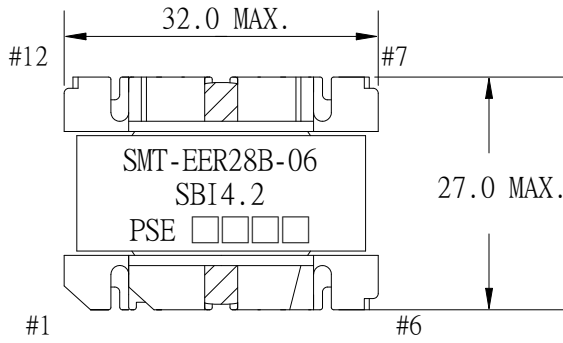
NOTE:

1. EPOXY FIXED BETWEEN CORE & CORE (TTL: 4 POINTS). EPOXY FIXED TOP OF BOBBIN & CORE. (ONE POINT).

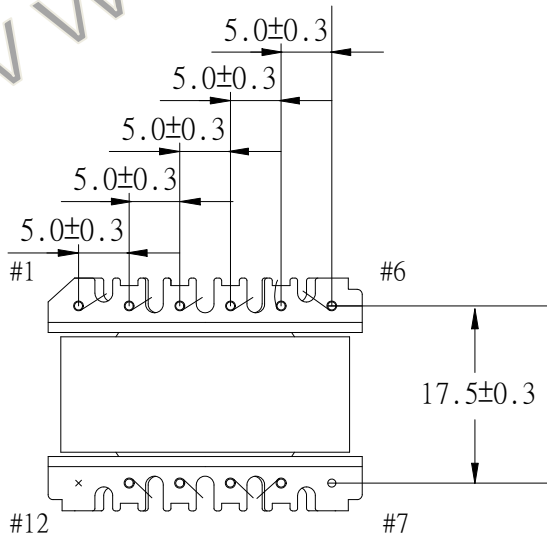
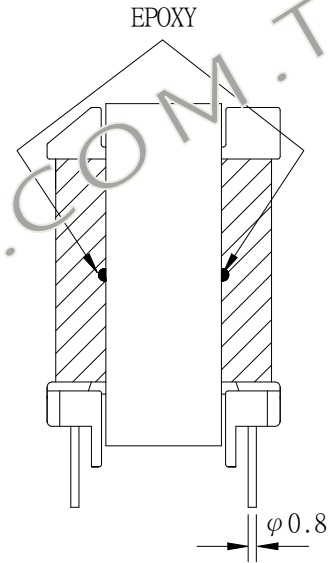
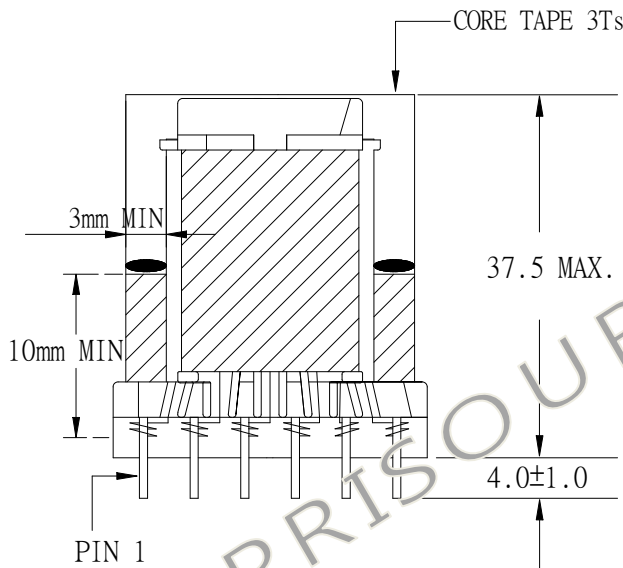
UNIT : m/ m

REPORT BY	CHECK BY	APPROVED BY	CUSTOMER :	DATE	
			PART NO : SMT-EER28B-03	REV	
			ISSUE NO : 54P-15059	PAGE	4 - 1

1. MECHANICAL & ASSEMBLY :



SMT-EER28B-06
SBI4.2
PSE
↑ ↑
WEEK YEAR



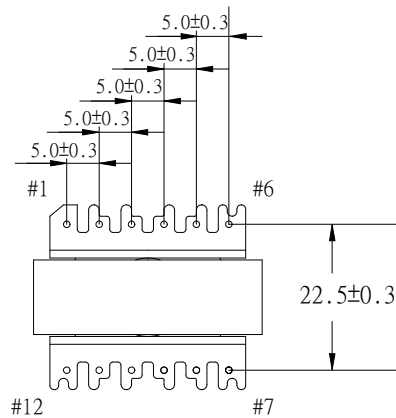
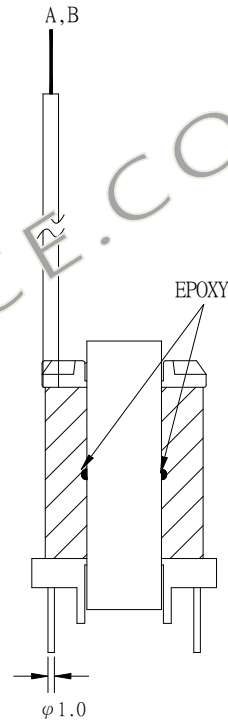
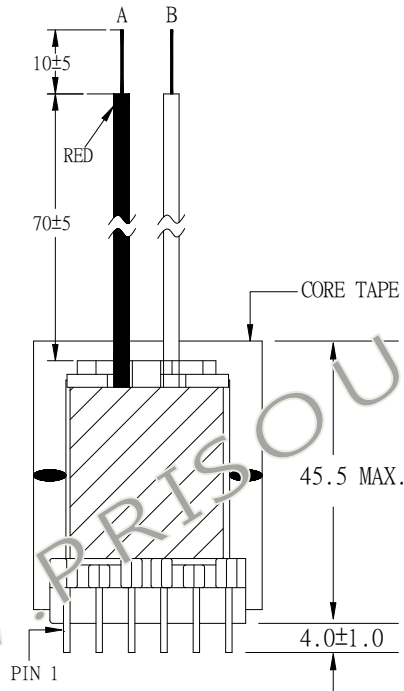
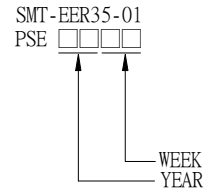
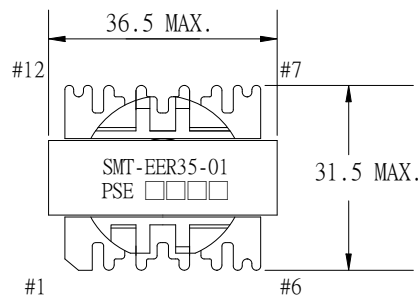
NOTE:

1. EPOXY FIXED BETWEEN CORE & CORE (TTL: 4 POINTS).
2. PIN 12 NO.
3. EPOXY FIXED TOP OF BOBBIN & CORE. (ONE POINT).
4. PIN 8 & PIN 9 LEADING WIRE LEAD OUT FROM THE SAME SLOT

UNIT: m/m

REPORT BY	CHECK BY	APPROVED BY	CUSTOMER :	DATE	
			PART NO : SMT-EER28B-06	REV NO.	
			ISSUE NO : 81P-14014	PAGE	4 - 1

1. MECHANICAL & ASSEMBLY :



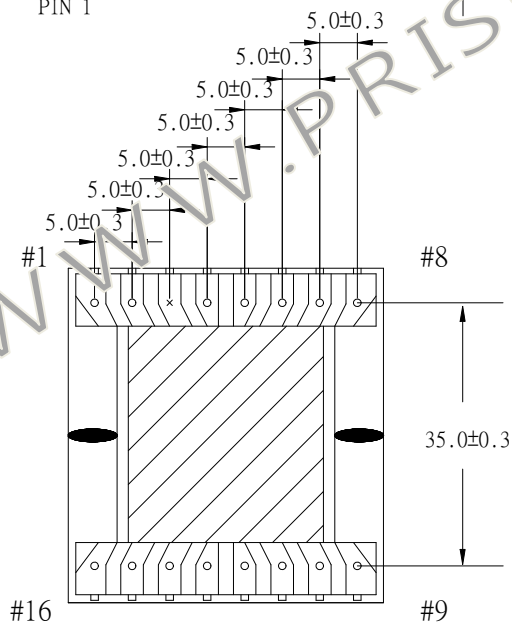
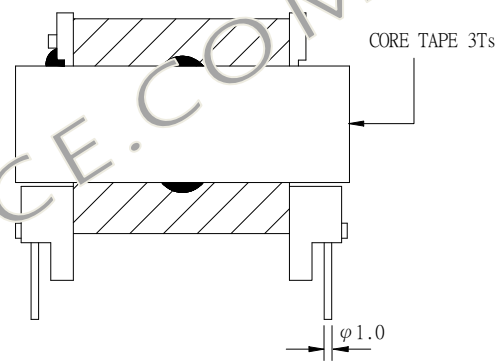
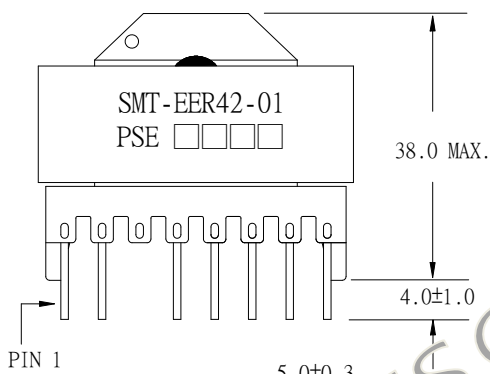
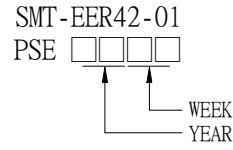
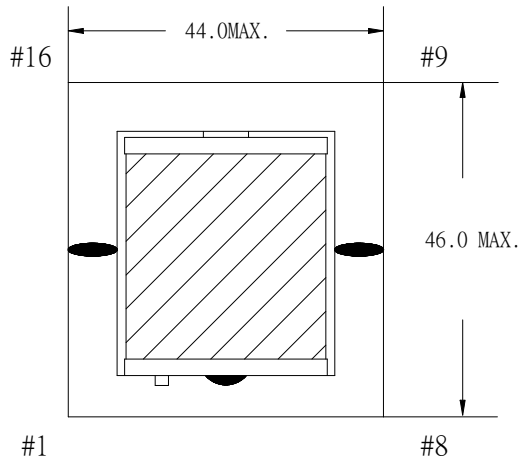
NOTE:

1. EPOXY FIXED BETWEEN CORE & CORE (TTL: 4 POINTS). EPOXY FIXED TOP OF BOBBIN & CORE. (ONE POINT).

UNIT : mm

REPORT BY	CHECK BY	APPROVED BY	CUSTOMER :	DATE	
			PART NO : SMT-EER35-01	REV	
			ISSUE NO : 54P-15070	PAGE	4 - 1

1. MECHANICAL & ASSEMBLY:



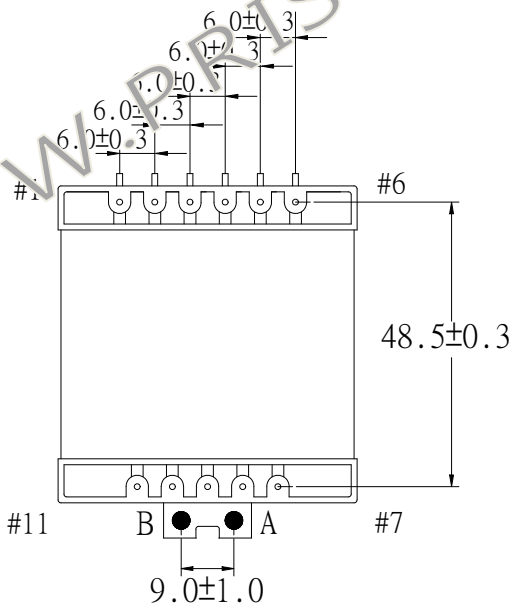
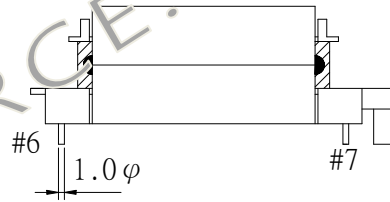
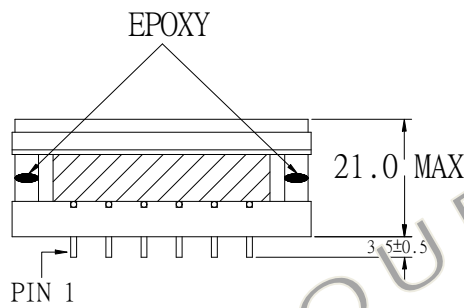
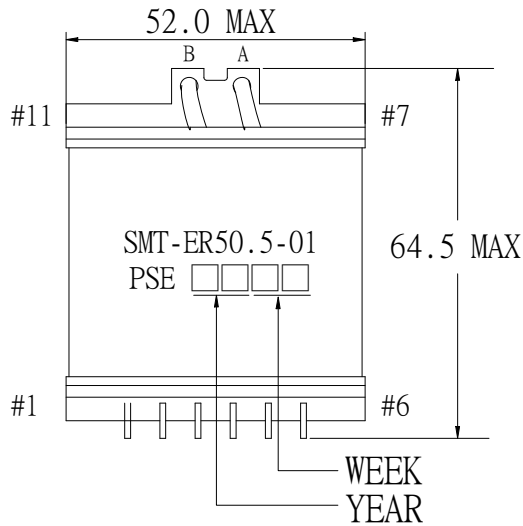
NOTE:

1. PIN 3 NO
2. EPOXY FIXED BETWEEN CORE & CORE (TTL: 4 POINTS) EPOXY FIXED TOP OF BOBBIN & CORE.(ONE POINT AT PIN1-8 SIDE).

UNIT : m/ m

REPORT	CHECK	APPROVED	CUSTOMER :	DATE	
			PART NO : SMT-EER42-01	REV NO.	
			ISSUE NO : 82P-14008	PAGE	4-1

1. MECHANICAL & ASSEMBLY:



NOTE:

1. EPOXY FIXED BETWEEN CORE & COREEPOXY FIXED TOP OF BOBBIN & CORE. (ONE POINT).
2. ADHESIVE KE-45W ON CORE CENTER LEG(ONE POINT)
3. NO VARNISH DIPPING.

UNIT : m/ m

REPORT BY	CHECK BY	APPROVED BY	CUSTOMER :	DATE	
			PART NO : SMT-ER50.5-01	REV NO.	
			ISSUE NO : 82P-14004	PAGE	4 - 1