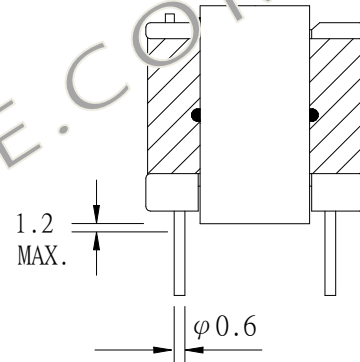
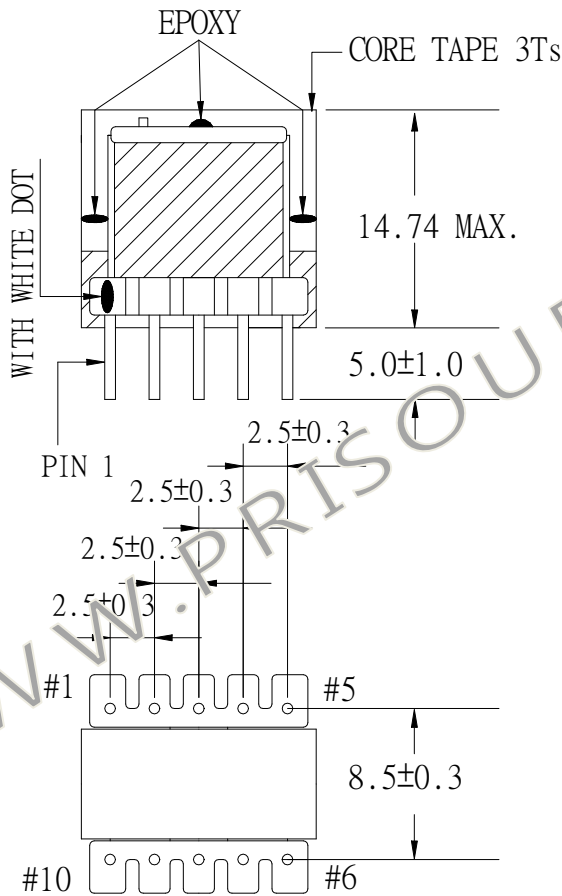
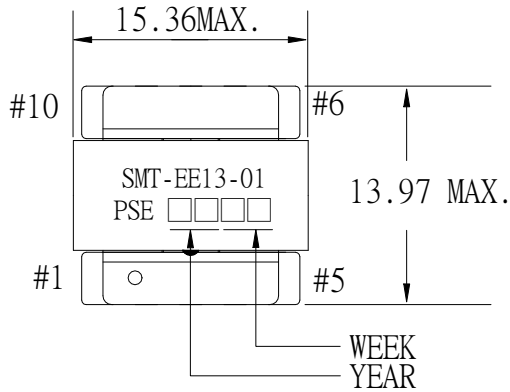


1. MECHANICAL & ASSEMBLY



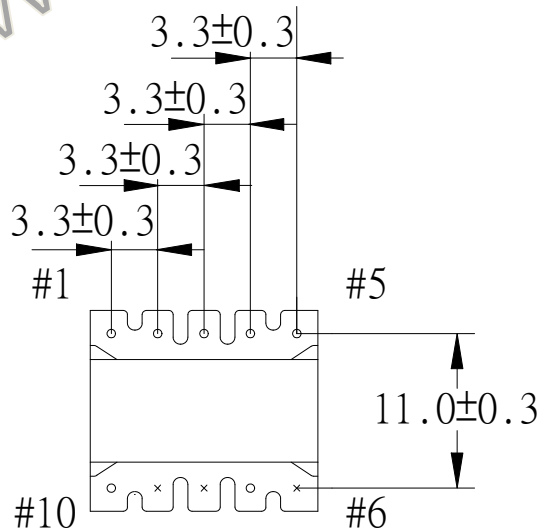
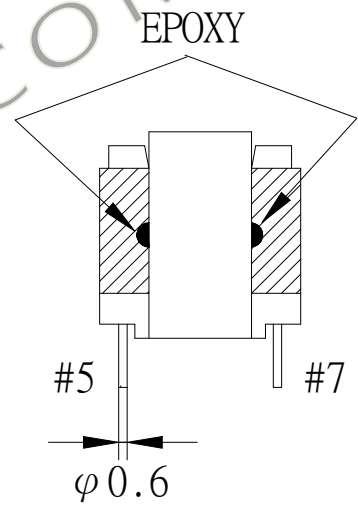
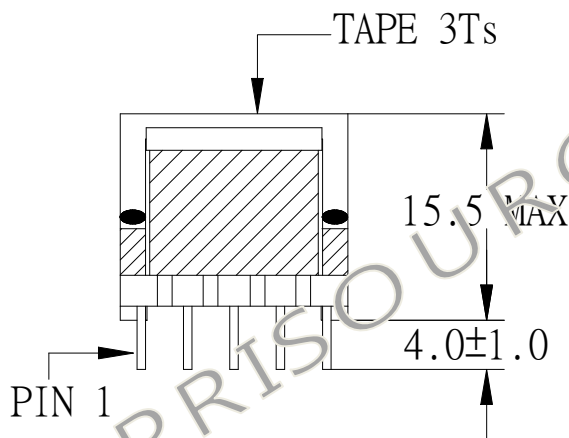
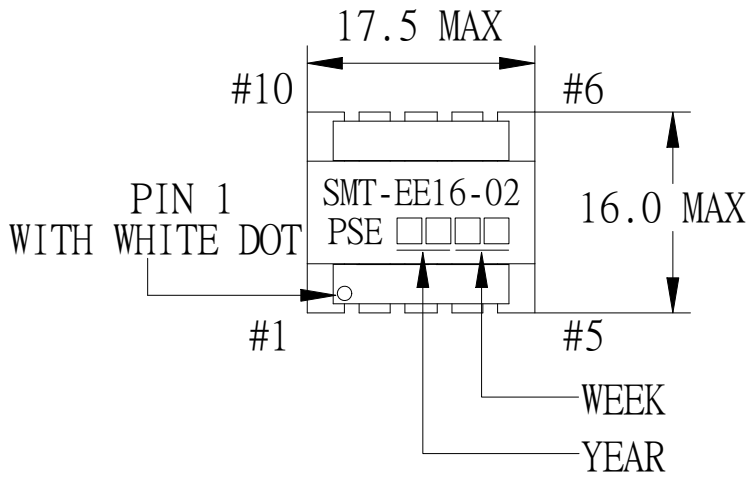
NOTE:

1. EPOXY FIXED BETWEEN CORE & CORE (TTL: 4 POINTS). EPOXY FIXED TOP OF BOBBIN & CORE. (ONE POINT).
2. SOLDER POINT CAN BE OVER STAND OFF 1.2mm MAX

UNIT: mm

REPORT BY	CHECK BY	APPROVED BY	CUSTOMER :	DATE	
			PART NO : SMT-EE13-01	REV NO.	
			ISSUE NO : 38P-12004	PAGE	4 - 1

1. MECHANICAL & ASSEMBLY



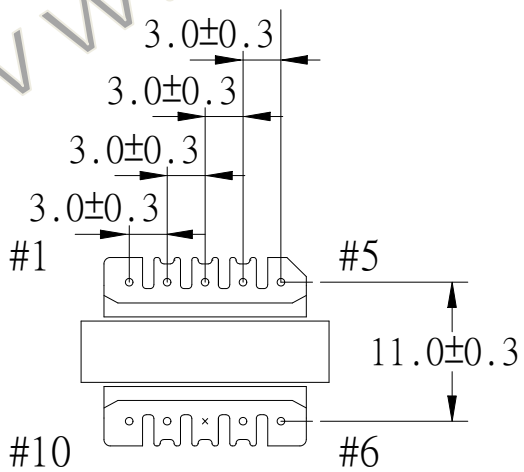
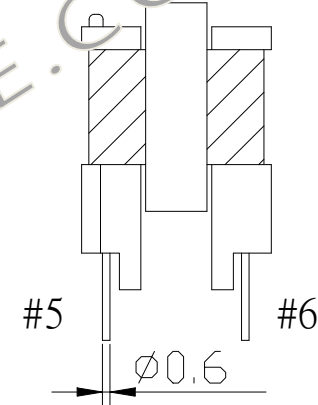
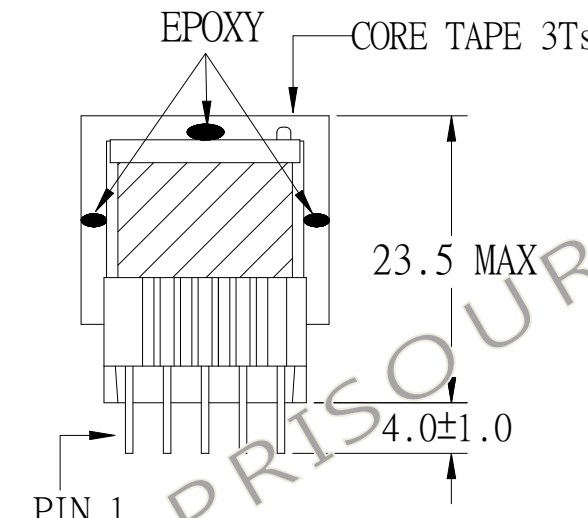
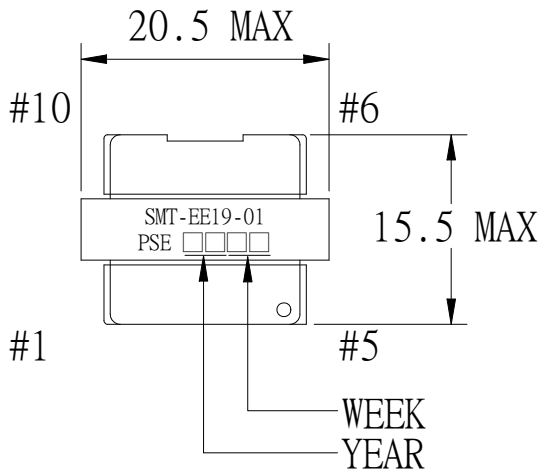
NOTE:

1. PIN 6, 8, 9 NO.
2. EPOXY FIXED BETWEEN CORE & CORE (TTL: 4 POINTS)
EPOXY FIXED TOP OF BOBBIN & CORE.(ONE POINT).
3. PIN 1 WITH WHITE DOT

UNIT: mm

REPORT BY	CHECK BY	APPROVED BY	CUSTOMER :	DATE	
			PART NO : SMT-EE16-02	REV	
			ISSUE NO : 54P-15020	PAGE	4 - 1

1. MECHANICAL & ASSEMBLY :

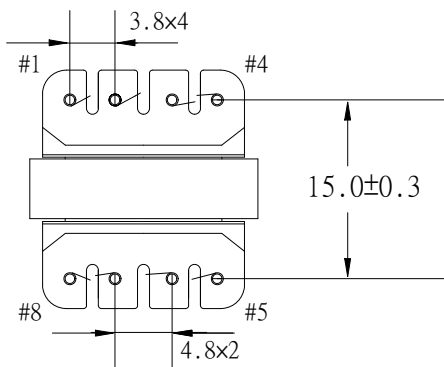
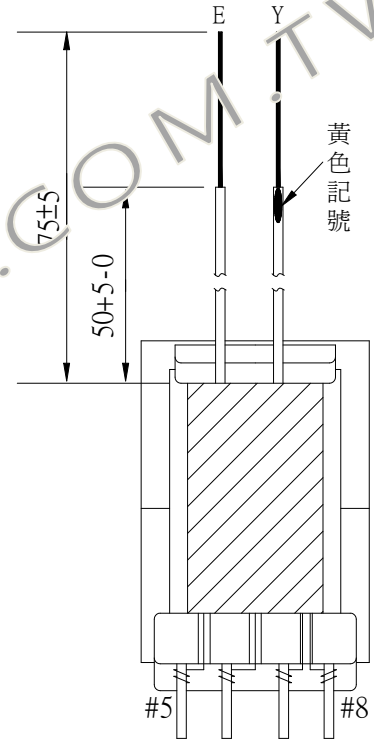
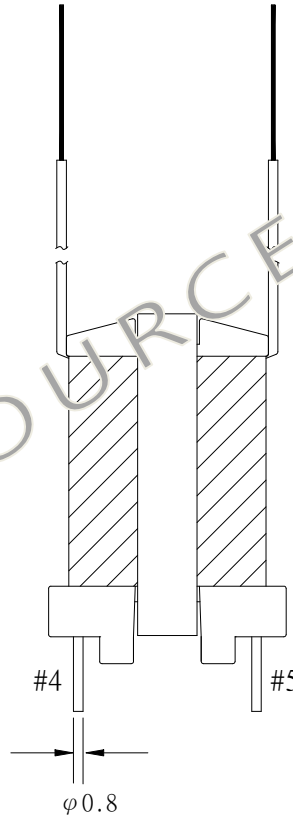
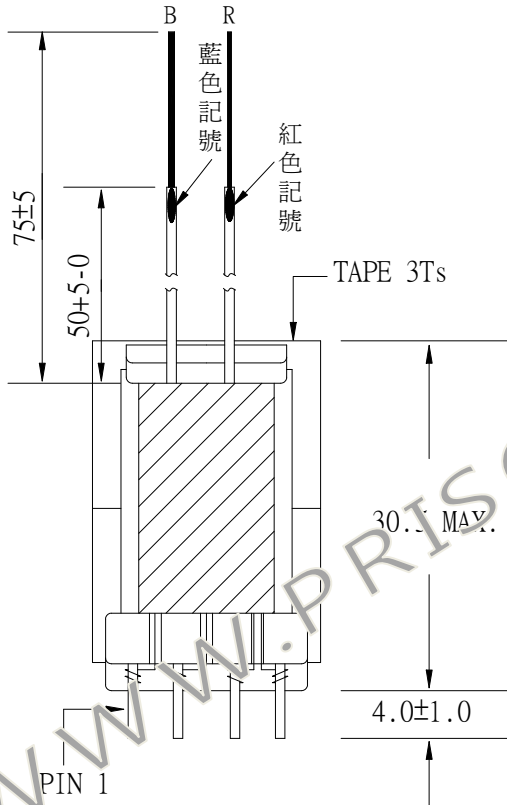
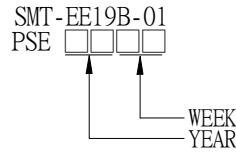
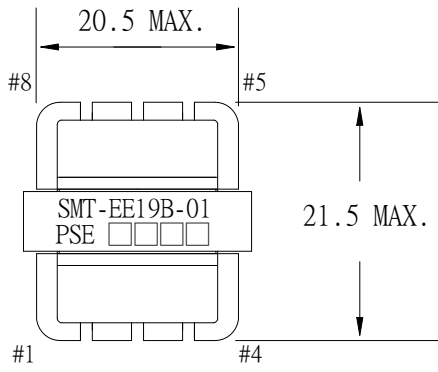


- NOTE:
1. EPOXY FIXED BETWEEN CORE & CORE (TTL:4 POINTS)
 2. EPOXY FIXED TOP OF BOBBIN & CORE. (ONE POINT AT PIN1-5 SIDE).
 3. PIN 8 NO.

UNIT: mm

REPORT BY	CHECK BY	APPROVED BY	CUSTOMER :	DATE	
			PART NO : SMT-EE19-01	REV NO.	
			ISSUE NO : 54P-15045	PAGE	4 - 1

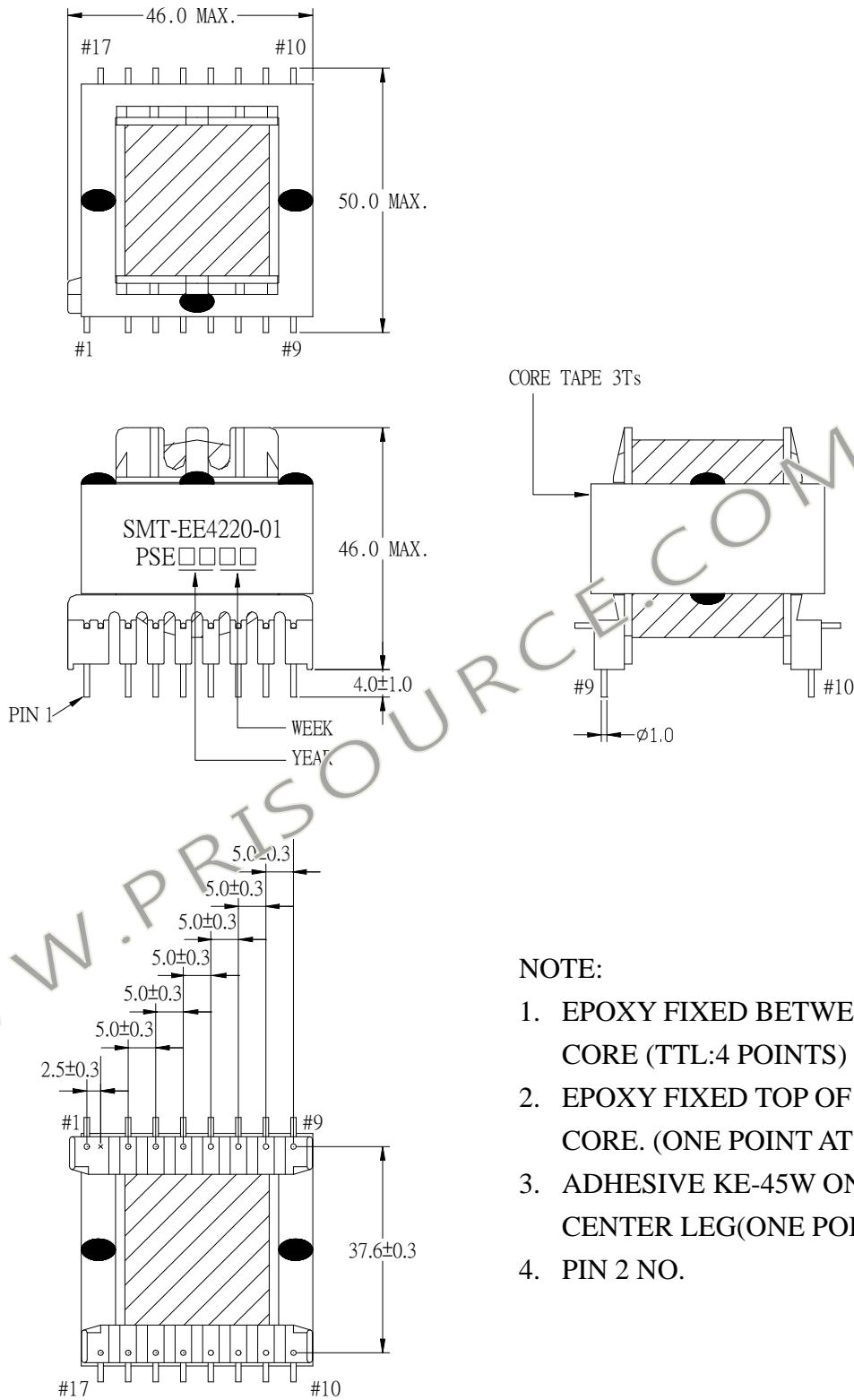
1. MECHANICAL & ASSEMBLY :



UNIT : m/m

REPORT BY	CHECK BY	APPROVED BY	CUSTOMER :	DATE	
			PART NO : SMT-EE19B-01	REV NO.	
			ISSUE NO : 54P-15058	PAGE	4 - 1

1. MECHANICAL & ASSEMBLY :



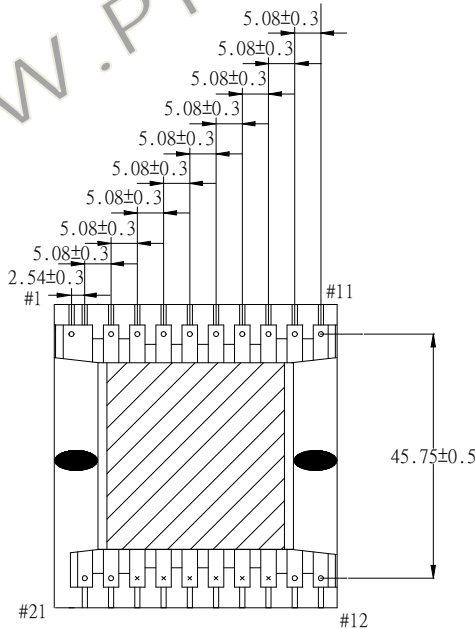
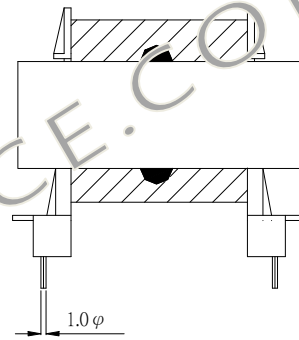
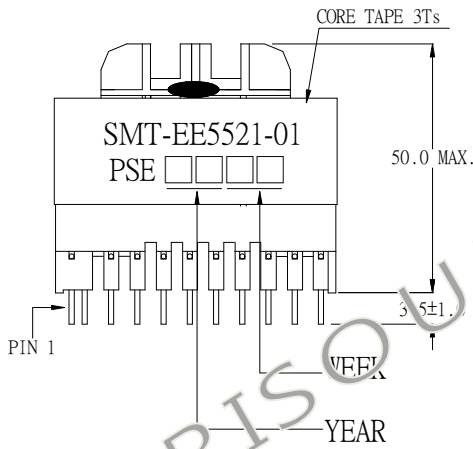
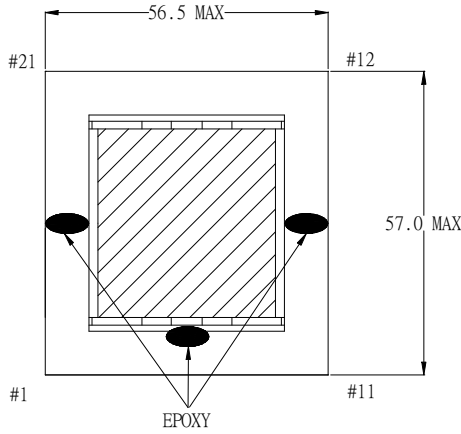
NOTE:

1. EPOXY FIXED BETWEEN CORE & CORE (TTL:4 POINTS)
2. EPOXY FIXED TOP OF BOBBIN & CORE. (ONE POINT AT PIN1-9 SIDE).
3. ADHESIVE KE-45W ON CORE CENTER LEG(ONE POINT)
4. PIN 2 NO.

UNIT: mm

REPORT BY	CHECK BY	APPROVED BY	CUSTOMER :	DATE	
			PART NO : SMT-EE4220-01	REV NO.	
			ISSUE NO : 82P-13031-1	PAGE	4 - 1

1. MECHANICAL & ASSEMBLY :



NOTE:

1. EPOXY FIXED BETWEEN CORE & CORE (TTL:4 POINTS) EPOXY FIXED TOP OF BOBBIN & CORE.(ONE POINT AT PIN1-10 SIDE).
2. ADHESIVE KE-45W ON CORE CENTER LEG(ONE POINT)
3. PIN 14, 15, 16, 17, 18, 19 NO.

UNIT : mm

REPORT BY	CHECK BY	APPROVED BY	CUSTOMER :	DATE	
			PART NO : SMT-EE5521-01	REV NO.	
			ISSUE NO : 82P-13037	PAGE	4 - 1