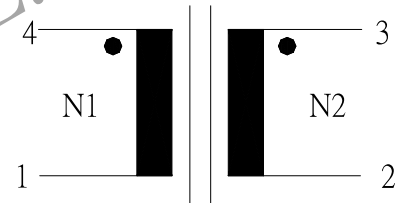
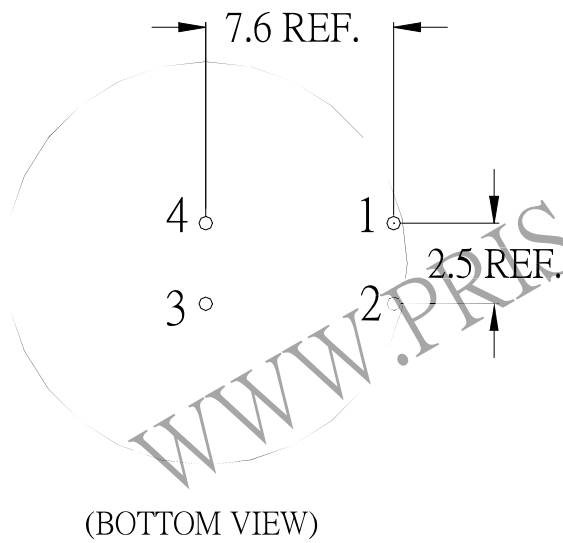
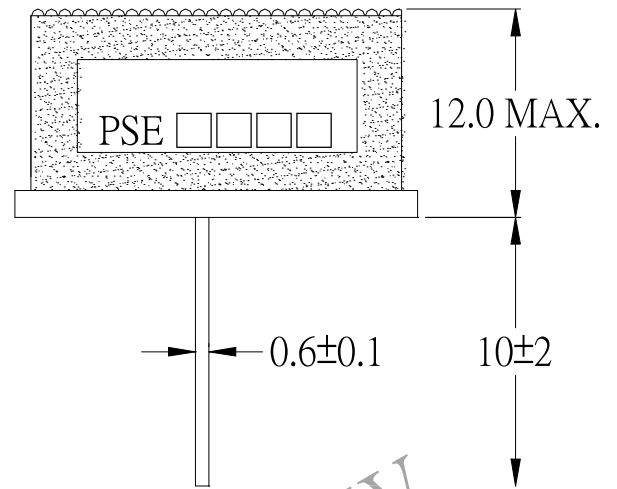
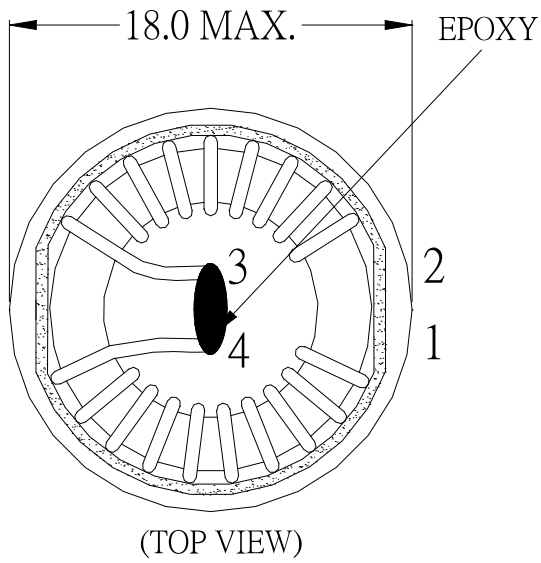


1. MECHANICAL & ASSEMBLY :



UNIT : m/m

REPORT BY	CHECK BY	APPROVED BY	CUSTOMER :	DATE	
			PART NO : 85K-13003	REV NO.	
			ISSUE NO :	PAGE	3 - 1

2. WINDING CONFIGURATION :

STEP	WINDING	MARGIN TAPE	START-FINISH	COPPER WIRE	TURNS	LAYER TAPE	METHOD
1	N1		4 - 1	0.60φ	14 REF.		
2	N2		3 - 2	0.60φ	14 REF.		

NOTE:

3. ELECTRICAL CHARACTERISTICS :

PIN NO.	INDUCTANCE 10 KHz, 0.3Vrms	LEAKAGE INDUCTANCE KHz, Vrms	VOLTAGE RATIO F= 20KHz INPUT 1 Vrms	DCR MAX. AT 25°C
4 - 1	1.40 mH +50%-35%			26.0mΩ
3 - 2	1.40 mH +50%-35%		0.9977Vrms±3.0%	26.0mΩ

HI-POT TEST :(AT 1mA, 2 SEC.)

N1 TO N2 600 VAC

RATED CURRENT : AC 2.0A

REPORT BY	CHECK BY	APPROVED BY	CUSTOMER :	DATE
			PART NO : 85K-13003	REV NO.
			ISSUE NO :	PAGE 3 - 2