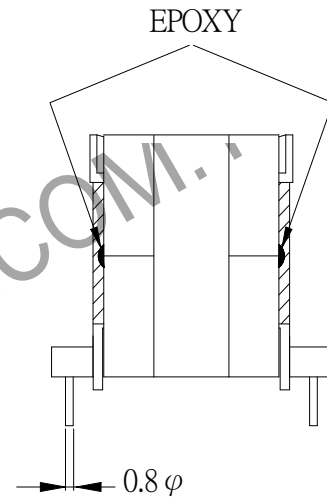
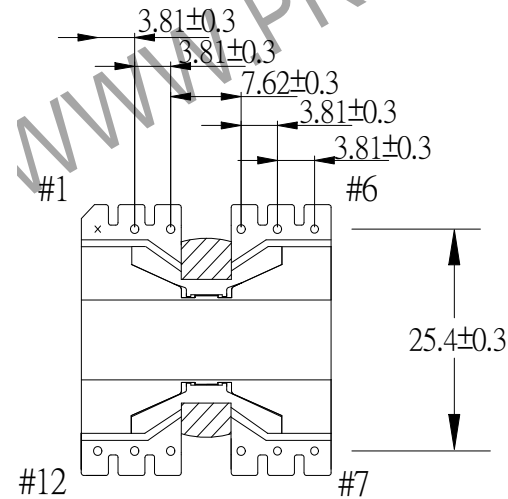
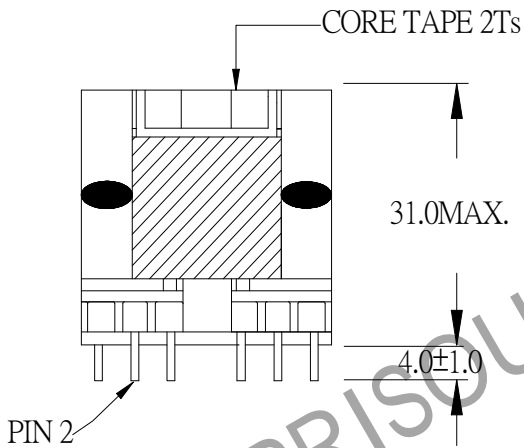
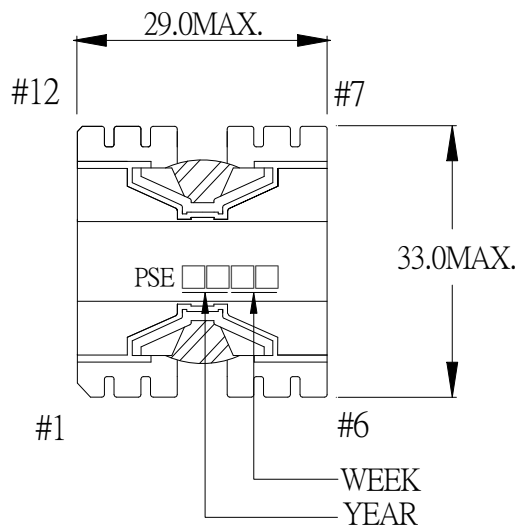


1. MECHANICAL & ASSEMBLY :



NOTE:

1. EPOXY FIXED BETWEEN CORE & CORE (TTL:4 POINTS). EPOXY FIXED TOP OF BOBBIN & CORE.(ONE POINT).
2. PIN 1 NO

UNIT : mm

REPORT BY	CHECK BY	APPROVED BY	CUSTOMER :	DATE	
			PART NO : 83P-15020	REV NO.	
			ISSUE NO :	PAGE	4 - 1

2. WINDING CONFIGURATION :

STEP	WINDING	MARGIN TAPE	START-FINISH	COPPER WIRE	TURNS	LAYER TAPE	METHOD
1	W1		2 - 4	0.20 ϕ /25C	8	2Ts	CLOSE
2	W2		10,11 - 8,9	0.65 ϕ ×4	5	2Ts	CLOSE
3	W3		3 - 5	0.20 ϕ /25C	8	2Ts	CLOSE

NOTE:

3. ELECTRICAL CHARACTERISTICS :

PIN NO.	INDUCTANCE 1.0 KHz, 0.3Vrms	LEAKAGE INDUCTANCE KHz, Vrms	VOLTAGE RATIO(V) f= 20KHz	DCR MAX AT 25°C
2,3 - 4,5	30.0uH±10.0%		INPUT 0.1Vrms	7.0 m Ω
10,11 - 8,9			0.0630Vrms±5.0%	6.5 m Ω

HI-POT TEST : (AT 1 mA, 2 SEC)

PRI TO SEC. 600 VAC

PRI, SEC TO CORE. 600 VAC

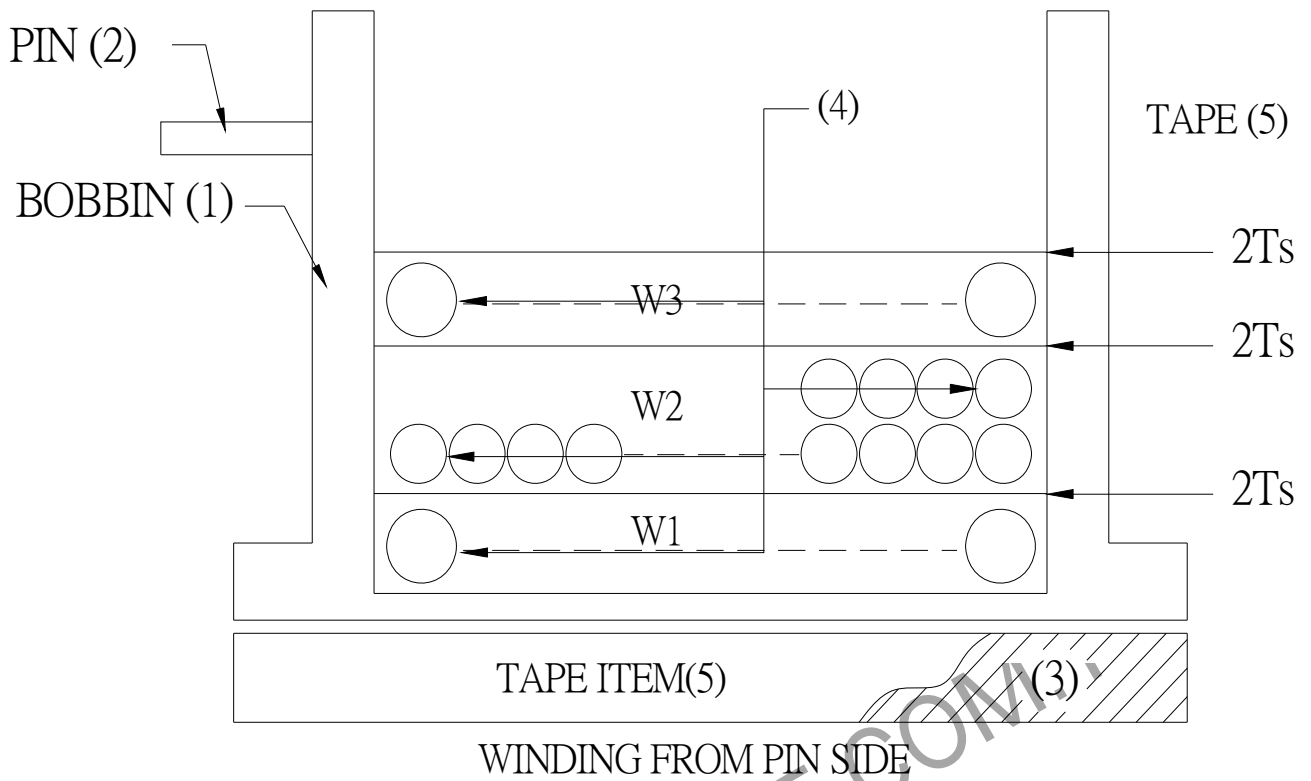
INSULATION RESISTANCE: (AT DC 500V)

PRI TO SEC. 100 M Ω MIN.

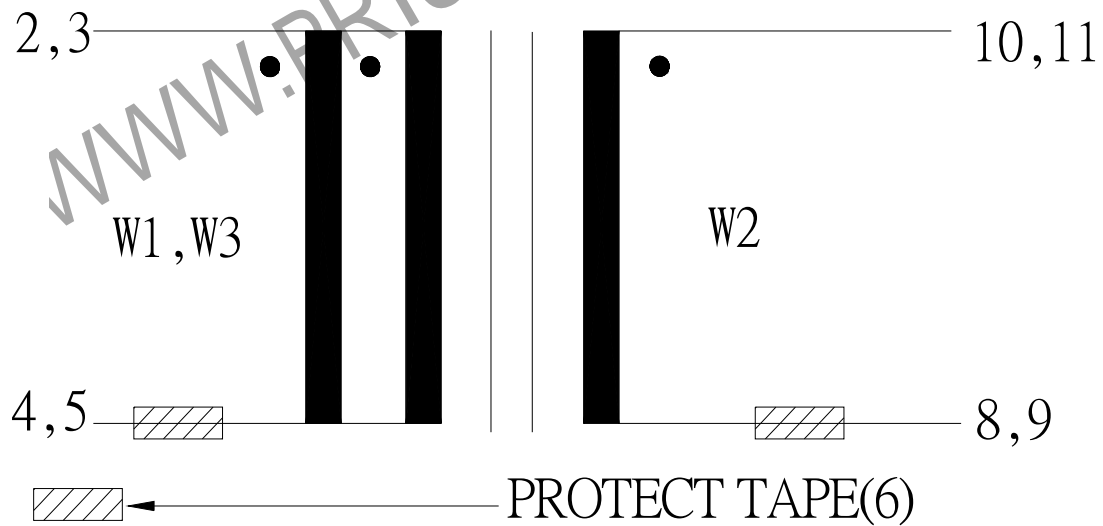
PRI, SEC TO CORE. 100 M Ω MIN.

REPORT BY	CHECK BY	APPROVED BY	CUSTOMER :	DATE	
			PART NO : 83P-15020	REV NO.	
			ISSUE NO :	PAGE	4 - 2

4. WINDING SEQUENCE:



5. SCHEMATIC:



REPORT	BY	CHECK	APPROVED BY	CUSTOMER :	DATE	
				PART NO : 83P-15020	REV NO.	
				ISSUE NO :	PAGE	4 - 3

6. MATERIAL LIST :

NO.	DESCRIPTION	ITEM	MATERIAL	LIST OF SAMPLE	UL NO.	MANUFACTURER
1	BOBBIN	(1)	PHENOLIC (PM9820) Thickness:0.30 mm Min.	✓	E41429	SUMITOMO
2	PIN	(2)	TINNED C.P WIRE φ 0.8	✓		WELL FORE
3	CORE	(3)	FERRITE CORE PQ26/25 TP4A	✓		TDG
4	COPPER WIRE	(4)	POLYURETHANE (2UEW) TYPYU-130 MW75-C	✓	E197768	HENG YA
5	MYLAR TAPE	(5)	POLYESTER FILM #1318-1 Y	✓	E17385	3M
6	PROTECT TAPE	(6)	COMPOSITE FILM #44-A	✓	E17385	3M
7	EPOXY		6020H	✓	E229633	WELLS
8	VARNISH		TVB2180T	✓	E83702	KYOCERA

REPORT BY	CHECK BY	APPROVED BY	CUSTOMER :	DATE	
			PART NO : 83P-15020	REV NO.	
			ISSUE NO :	PAGE	4 - 4