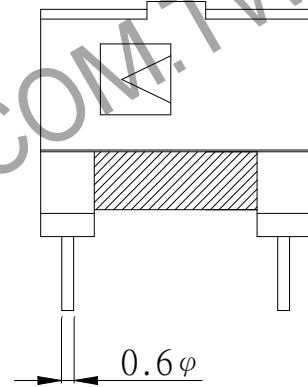
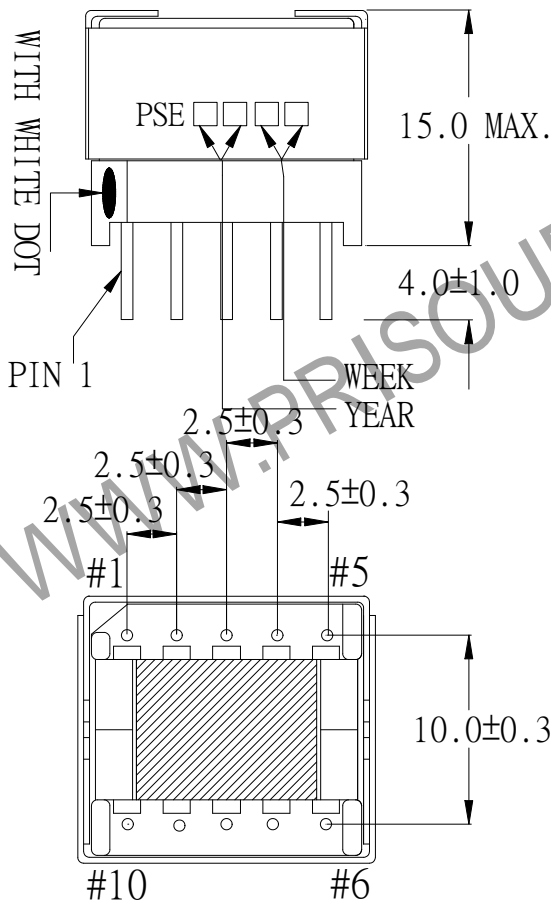
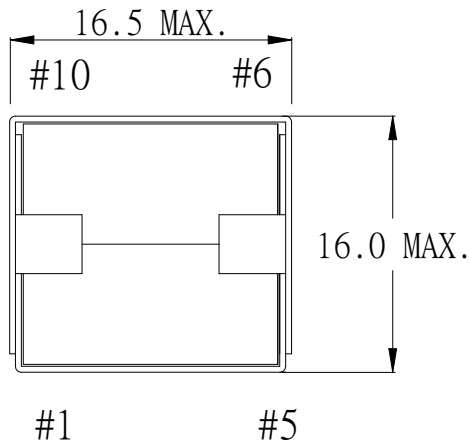


1. MECHANICAL & ASSEMBLY :



NOTE:
1. PIN 1 WITH WHITE DOT

UNIT : m/ m

REPORT BY	CHECK BY	APPROVED BY	CUSTOMER :	DATE	
			PART NO : 83P-14010	REV NO.	
			ISSUE NO :	PAGE	4 - 1

2. WINDING CONFIGURATION :

STEP	WINDING	MARGIN TAPE	START-FINISH	COPPER WIRE	TURNS	LAYER TAPE	METHOD
1	W2		10 - 9	0.25 ϕ	11	1PC	CLOSE
2	W2'		9 - 8	0.25 ϕ	13	1T	CLOSE
3	W1		1 - 2	0.25 ϕ	48	2Ts	CLOSE
4	W3		7 - 6	0.18 ϕ	24	1PC	CLOSE
5	W3'		6 - 5	0.18 ϕ	24	2Ts	CLOSE
6	W4		3 - 4	0.18 ϕ	16	1T	CLOSE Center

NOTE:

3. ELECTRICAL CHARACTERISTICS :

PIN NO.	INDUCTANCE 1.0 KHz, 0.3Vrms	LEAKAGE INDUCTANCE KHz, Vrms	VOLTAGE RATIO(V) f= 20KHz	DCR MAX AT 25°C
1 - 2	300.0uH \pm 20%		INPUT 1 Vrms	0.5 Ω MAX.
10 - 9			0.2288Vrms \pm 4.0%	96.5m Ω MAX.
9 - 8			0.2679Vrms \pm 4.0%	117.5m Ω MAX.
7 - 6			0.5010Vrms \pm 3.0%	0.55 Ω MAX.
6 - 5			0.5004Vrms \pm 3.0%	0.60 Ω MAX.
3 - 4			0.3333Vrms \pm 4.0%	0.40 Ω MAX.

HI-POT TEST : (AT 1 mA, 2 SEC)

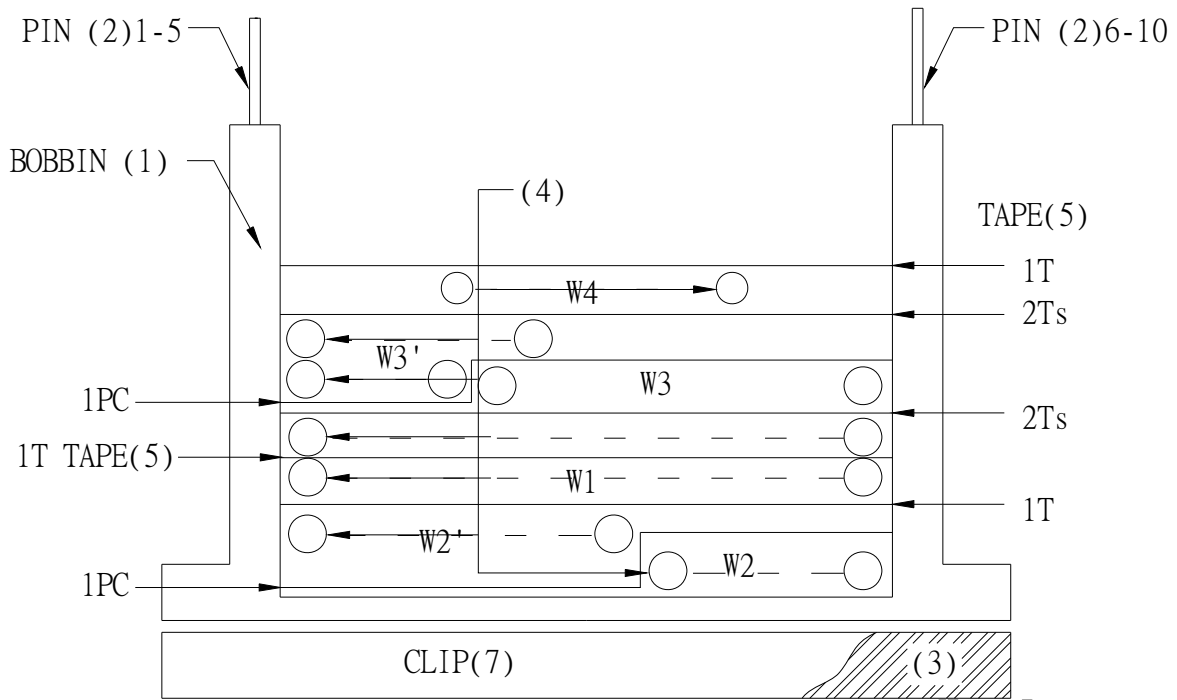
PRI TO SEC 600 VAC
PRI, SEC TO CORE 600 VAC

INSULATION RESISTANCE: (AT DC 500V)

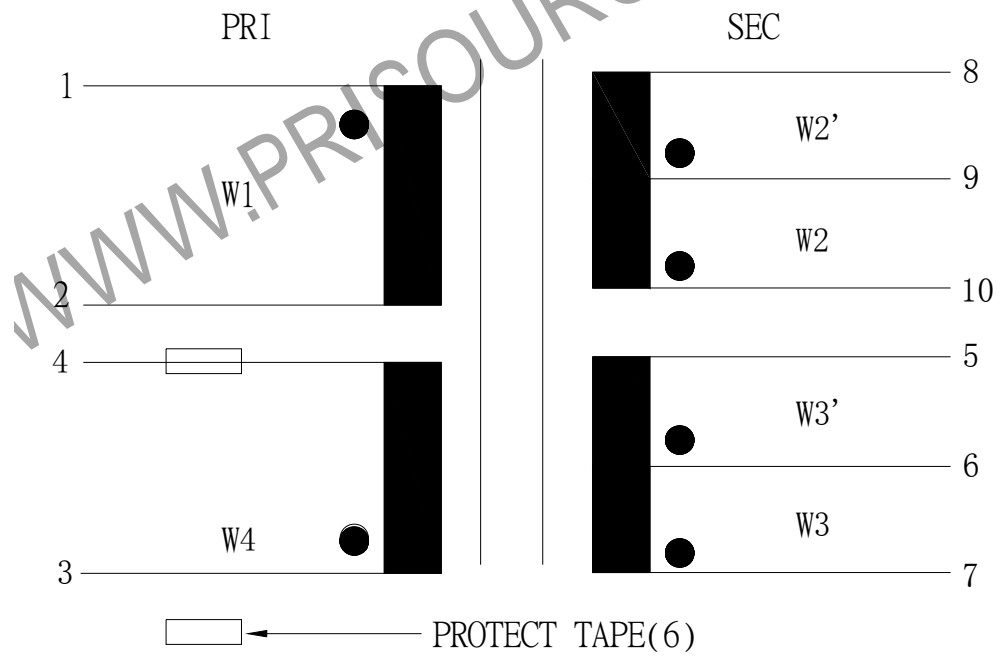
PRI TO SEC 100 M Ω MIN.
PRI, SEC TO CORE 100 M Ω MIN.

REPORT BY	CHECK BY	APPROVED BY	CUSTOMER :	DATE
			PART NO : 83P-14010	REV NO.
			ISSUE NO :	PAGE 4 - 2

4. WINDING SEQUENCE:



5. SCHEMATIC:



REPORT	BY	CHECK	APPROVED BY	CUSTOMER :	DATE	
				PART NO : 83P-14010	REV NO.	
				ISSUE NO :	PAGE	4 - 3

6. MATERIAL LIST :

NO.	DESCRIPTION	ITEM	MATERIAL	LIST OF SAMPLE	UL NO.	MANUFACTURER
1	BOBBIN	(1)	PHENOLIC (PM9820) Thickness:0.30mm Min.	✓	E41429	SUMITOMO
2	PIN	(2)	TINNED COPPER WIRE φ 0.6	✓		WELL FORE
3	CORE	(3)	FERRITE CORE EP13 DMR44	✓		DMEGC
4	COPPER WIRE	(4)	POLYURETHANE (1UEW) MW75-C TYPU-130	✓	E197768	HENG YA
5	MYLAR TAPE	(5)	POLYESTER FILM #1318-1 (Y)	✓	E17385	3M
6	PROTECT TAPE	(6)	COMPOSITE FILM #44-A	✓	E17385	3M
7	CLIP	(7)	PC-051-1	✓		PIN SHINE
8	VARNISH		TVB2180T	✓	E83702	KYOCERA

REPORT BY	CHECK BY	APPROVED BY	CUSTOMER :	DATE	
			PART NO : 83P-14010	REV NO.	
			ISSUE NO :	PAGE	4 - 4