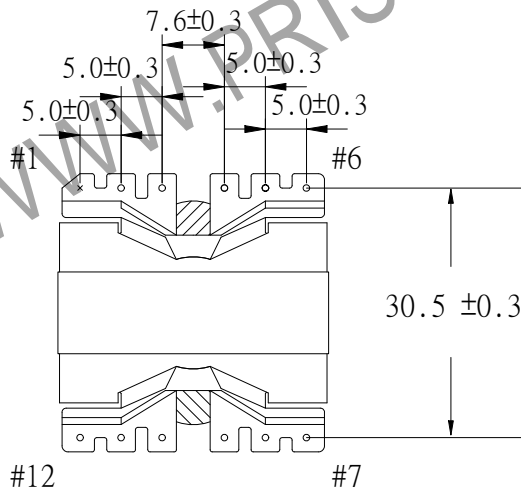
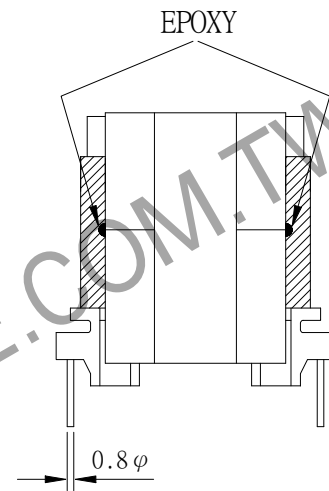
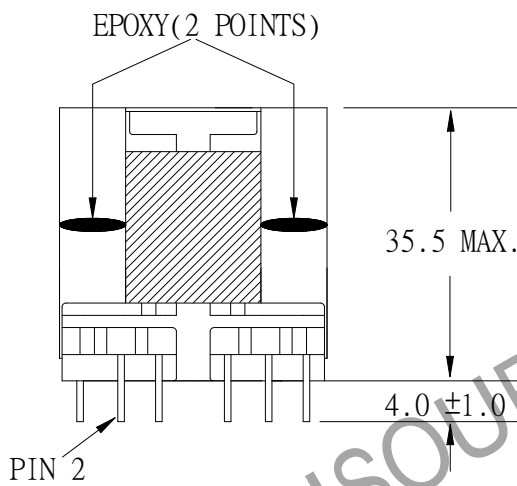
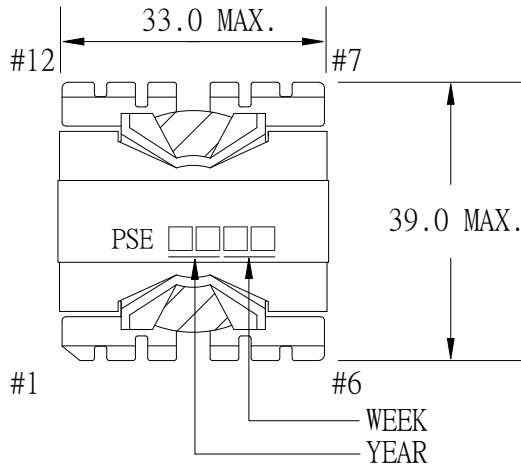


1. MECHANICAL & ASSEMBLY :



NOTE:

1. EPOXY FIXED BETWEEN CORE & CORE (TTL:4 POINTS)
2. EPOXY FIXED TOP OF BOBBIN & CORE.(ONE POINT)
3. PIN 1 NO
4. **SOLDER POINT CAN NOT BE OVER STAND OFF**

UNIT:m/m

| | | | | |
|-----------|----------|-------------|---------------------|---------|
| REPORT BY | CHECK BY | APPROVED BY | CUSTOMER : | DATE |
| | | | PART NO : 83P-13013 | REV NO. |
| | | | ISSUE NO : | PAGE |
| | | | | 4 - 1 |

2. WINDING CONFIGURATION :

| STEP | WINDING | MARGIN TAPE | START-FINISH | COPPER WIRE | TURNS | LAYER TAPE | TUBE | METHOD |
|------|---------|-------------|--------------|------------------------------|-------|------------|------|--------|
| 1 | W1 | | 2 - 4 | 0.10 ϕ /100C \times 2 | 5 | 2Ts | | CLOSE |
| 2 | W2 | | 10 - 8 | 0.10 ϕ /100C \times 2 | 5 | 2Ts | | CLOSE |
| 3 | W3 | | 11 - 9 | 0.10 ϕ /100C \times 2 | 5 | 2Ts | | CLOSE |
| 4 | W4 | | 3 - 5 | 0.10 ϕ /100C \times 2 | 5 | 2Ts | | CLOSE |
| | | | | | | | | |
| | | | | | | | | |

NOTE:

3. ELECTRICAL CHARACTERISTICS :

| PIN NO. | INDUCTANCE 1.0 KHz, 0.3Vrms | LEAKAGE INDUCTANCE KHz, Vrms | VOLTAGE RATIO(V) F= 20KHz | DCR MAX. AT 25°C |
|-------------|--------------------------------|------------------------------------|------------------------------|---------------------|
| 2,3 - 4,5 | 90.0uH \pm 15% | | INPUT 1Vrms | 3.0m Ω |
| 10,11 - 8,9 | | | 1.0000Vrms \pm 3.0% | 3.0m Ω |
| | | | | |
| | | | | |
| | | | | |
| | | | | |
| | | | | |
| | | | | |

HI-POT TEST:(AT 1 mA, 2SEC.)

PRI TO SEC 600 VAC

PRI, SEC TO CORE 600 VAC

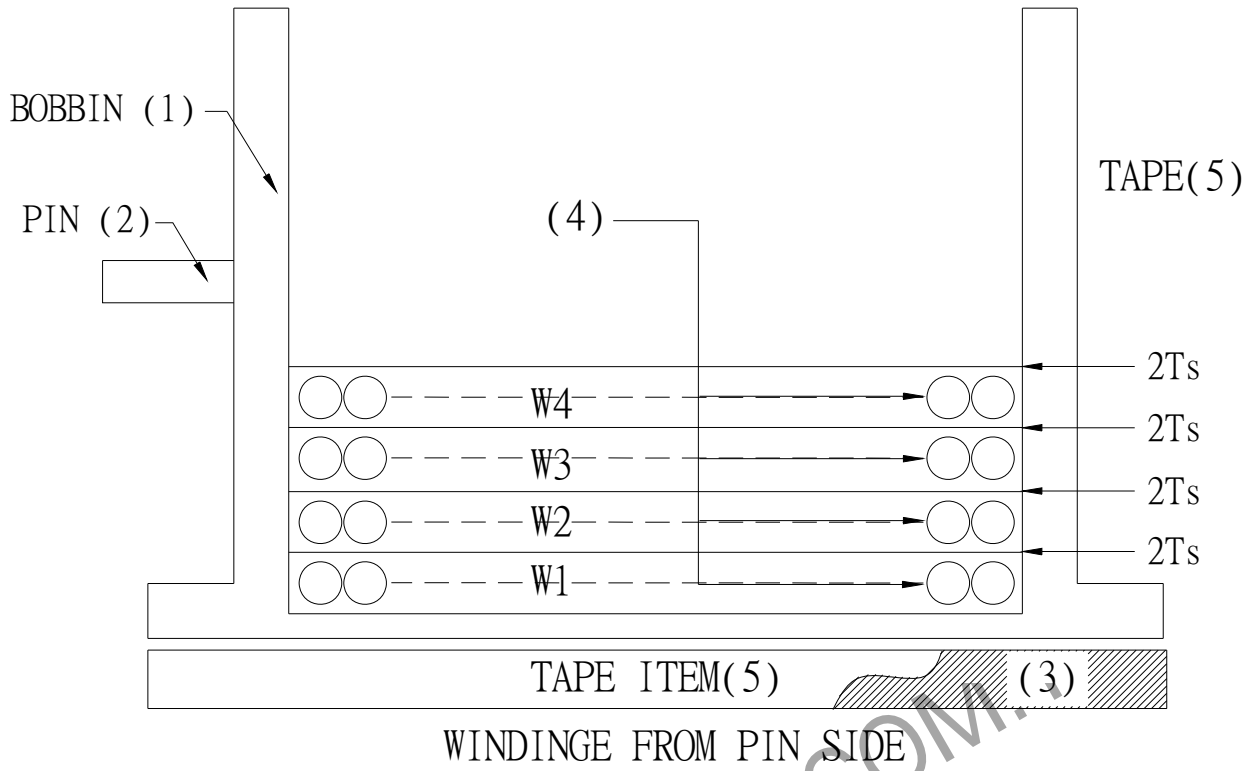
INSULATION RESISTANCE:(AT DC 500V)

PRI TO SEC 100 M Ω MIN.

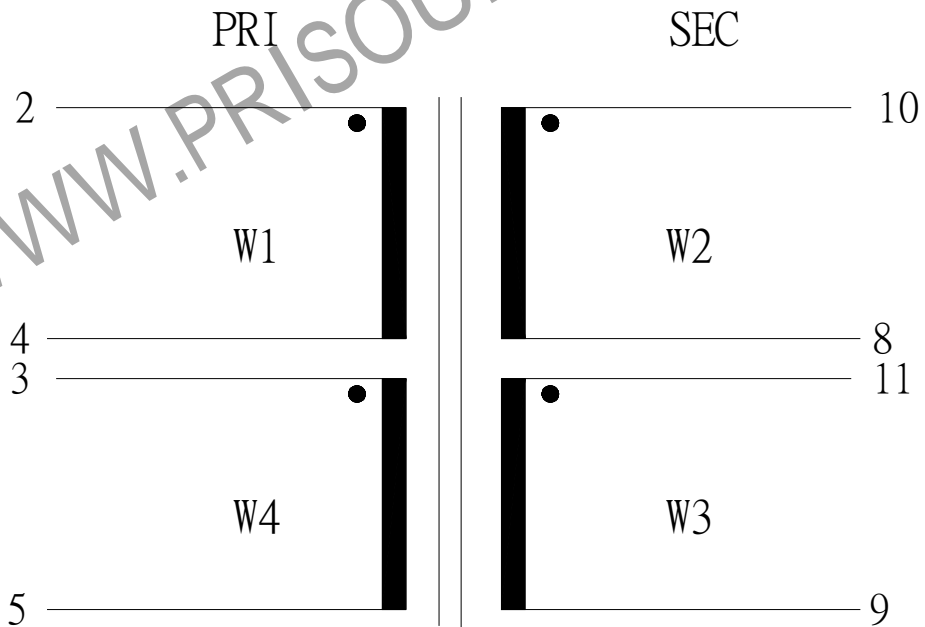
PRI, SEC TO CORE 100 M Ω MIN.

| REPORT BY | CHECK BY | APPROVED BY | CUSTOMER : | DATE | |
|-----------|----------|-------------|---------------------|---------|-------|
| | | | PART NO : 83P-13013 | REV NO. | |
| | | | ISSUE NO : | PAGE | 4 - 2 |

4. WINDING SEQUENCE:



5. SCHEMATIC:



| | | | | | |
|-----------|----------|-------------|---------------------|---------|-------|
| REPORT BY | CHECK BY | APPROVED BY | CUSTOMER : | DATE | |
| | | | PART NO : 83P-13013 | REV NO. | |
| | | | ISSUE NO : | PAGE | 4 - 3 |

6. MATERIAL LIST :

| NO. | DESCRIPTION | ITEM | MATERIAL | LIST OF SAMPLE | UL NO. | MANUFACTURER |
|-----|-------------|------|---|----------------|---------|----------------------|
| 1 | BOBBIN | (1) | PHENOLIC (PM-9820) Thickness:0.50mm Min. YW-865 | ✓ | E41429 | SUMITOMO |
| 2 | PIN | (2) | TINNED C.P WIRE Φ 0.8 | ✓ | | YIH HWA WELL FORE |
| 3 | CORE | (3) | FERRITE CORE PQ3230 TP4A | ✓ | | TDG |
| 4 | COPPER WIRE | (4) | POLYURETHANE(1UEW) TYPYU-130 MW75-C | ✓ | E197768 | HENG YA |
| 5 | MYLAR TAPE | (5) | POLYESTER FILM #1318-1 25um (Y) | ✓ | E17385 | 3M |
| 6 | EPOXY | | 6020H | ✓ | E229633 | WELLS |
| 7 | VARNISH | | WP-2952F-2G | ✓ | E72979 | HITACHI |

| | | | | |
|-----------|----------|-------------|---------------------|------------|
| REPORT BY | CHECK BY | APPROVED BY | CUSTOMER : | DATE |
| | | | PART NO : 83P-13013 | REV NO. |
| | | | ISSUE NO : | PAGE 4 - 4 |