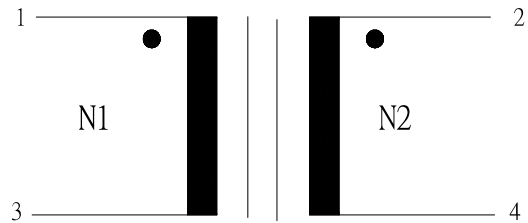
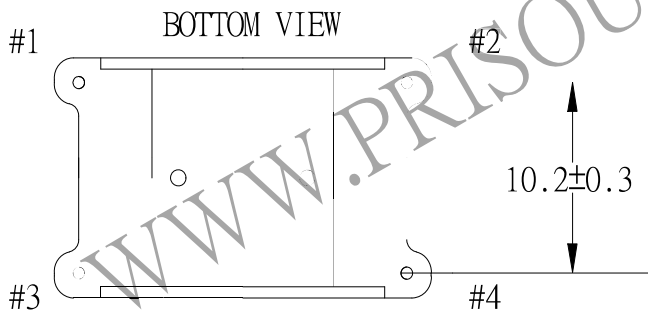
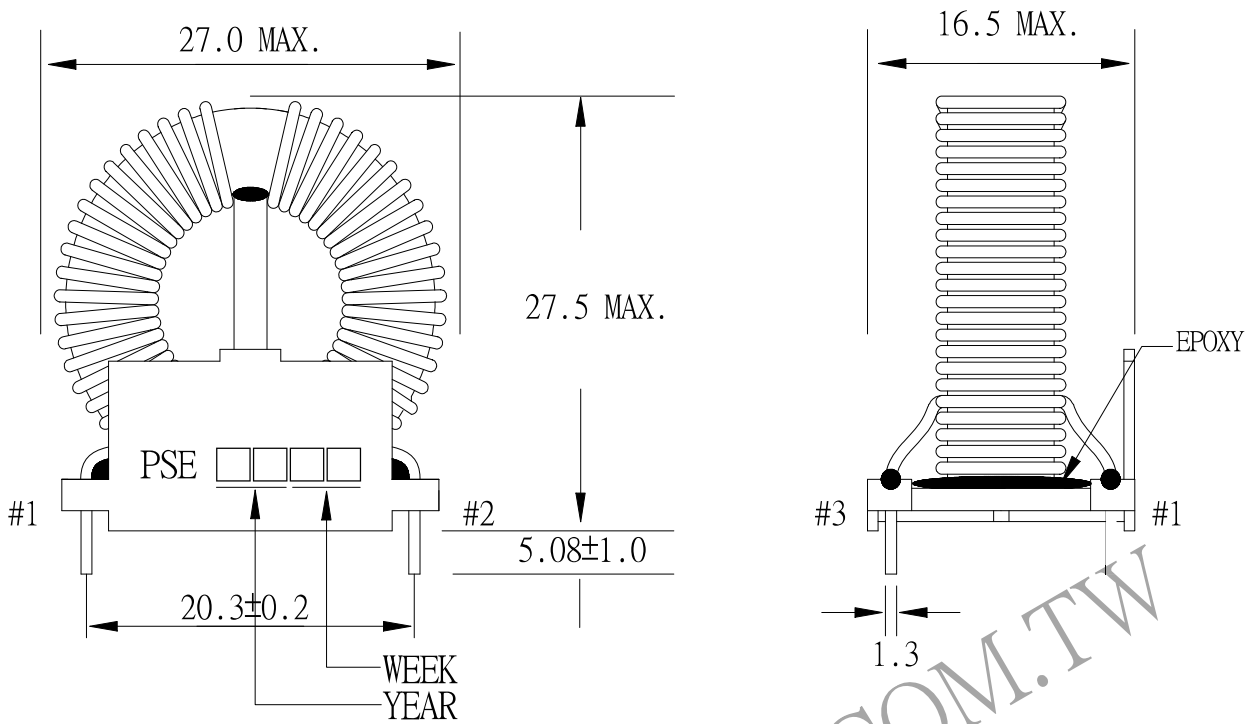


# 1. MECHANICAL & ASSEMBLY :



UNIT:m/m

# 2. WINDING CONFIGURATION:

STEP	WINDING	MARGIN TAPE	START-FINISH	COPPER WIRE	TURN	LAYER TAPE	TUBE
1	N1		1 - 3	1.3 φ	11Ts		
2	N2		2 - 4	1.3 φ	11Ts		

REPORT BY	CHECK BY	APPROVED BY	CUSTOMER :	DATE
			PART NO : 83K-16002	REV NO.
			ISSUE NO :	PAGE
				2 - 1