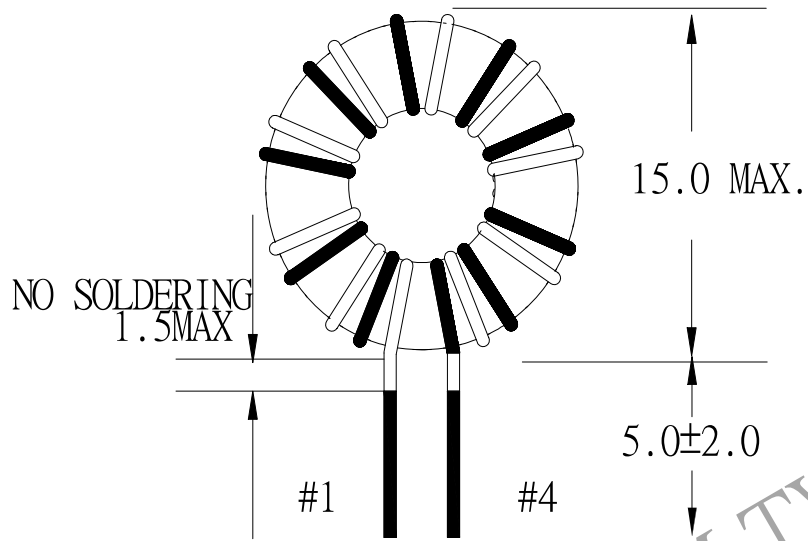
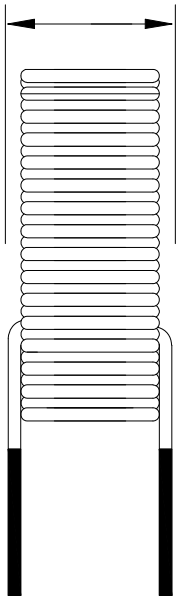
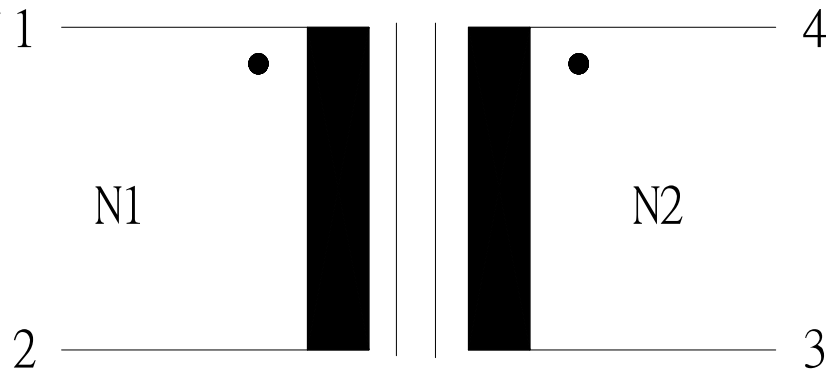


1. MECHANICAL & ASSEMBLY :

9.0 MAX.



WWW.PRISOURCE.COM.TW



UNIT : mm

REPORT BY	CHECK BY	APPROVED BY	CUSTOMER :	DATE	
			PART NO : 83K-15006	REV NO.	
			ISSUE NO :	PAGE	2 - 1