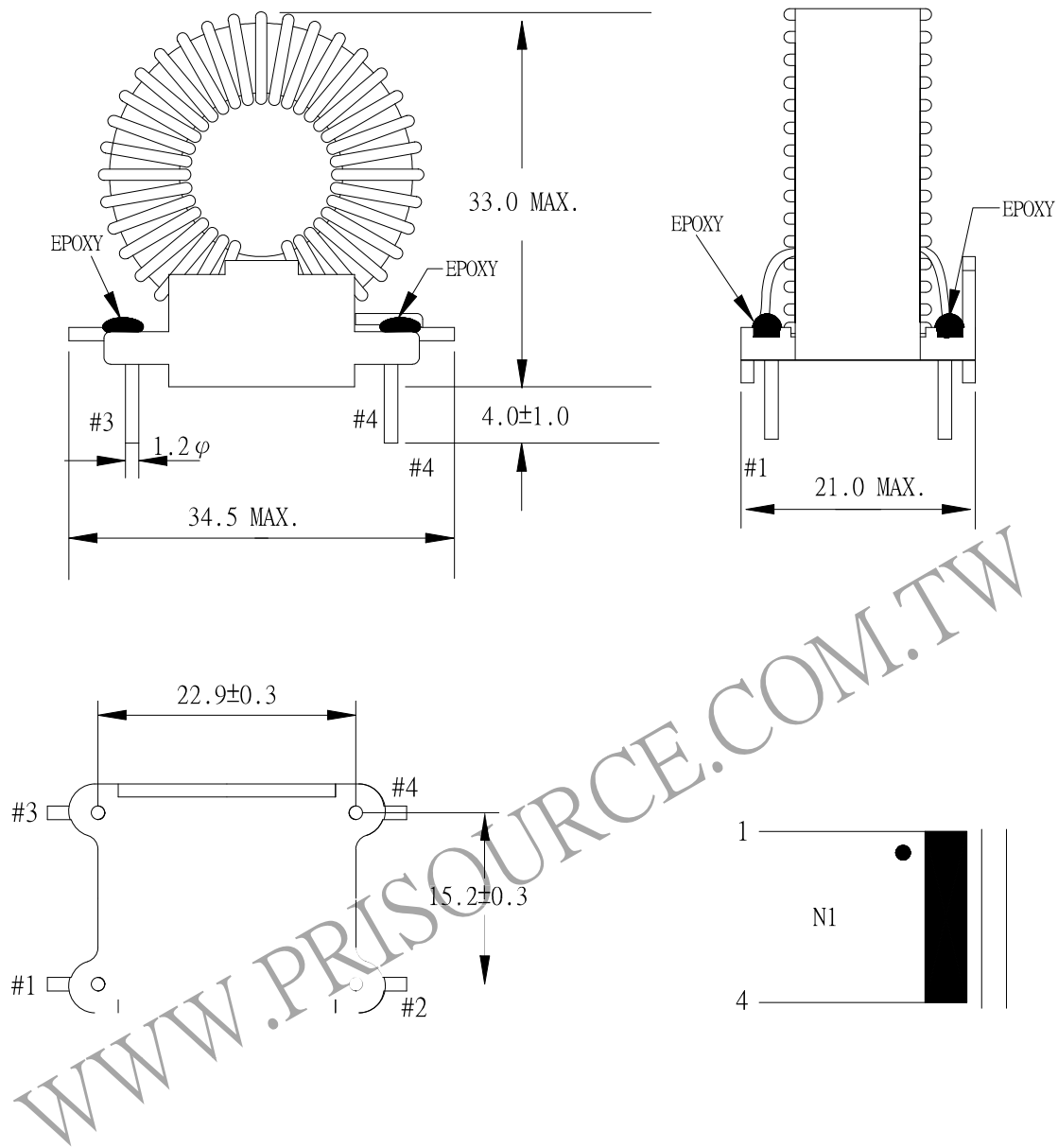


# 1. MECHANICAL & ASSEMBLY :



UNIT:m/m

# 2. WINDING CONFIGURATION:

STEP	WINDING	MARGIN TAPE	START-FINISH	COPPER WIRE	TURN	METHOD	TUBE
1	N1		1 - 4	0.80 φ	60Ts REF.	CLOSE	

REPORT BY	CHECK BY	APPROVED BY	CUSTOMER :	DATE
			PART NO : 83K-14007	REV NO.
			ISSUE NO :	PAGE
				4 - 1