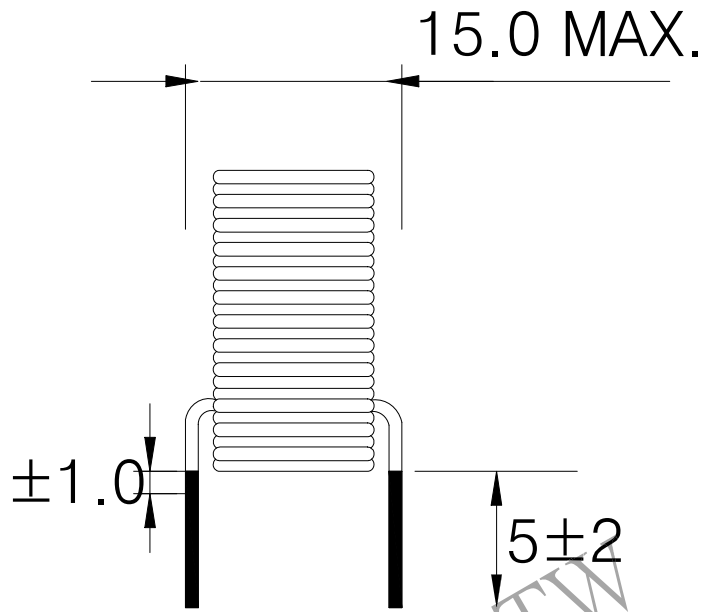
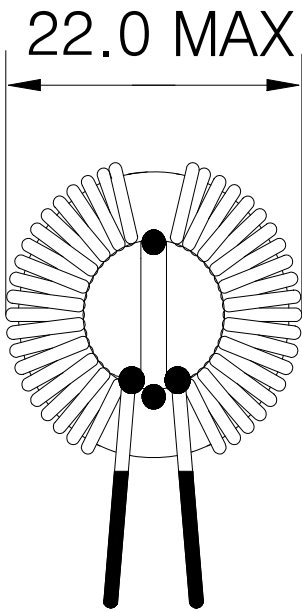
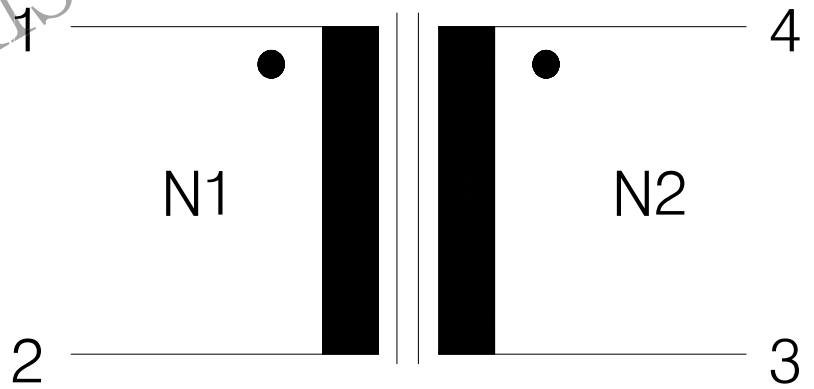


1. MECHANICAL & ASSEMBLY :



WWW.PRISOURCE.COM.TW



UNIT : mm

REPORT BY	CHECK BY	APPROVED BY	CUSTOMER :	DATE	
			PART NO : 83F-16013	REV NO.	
			ISSUE NO :	PAGE	2 - 1