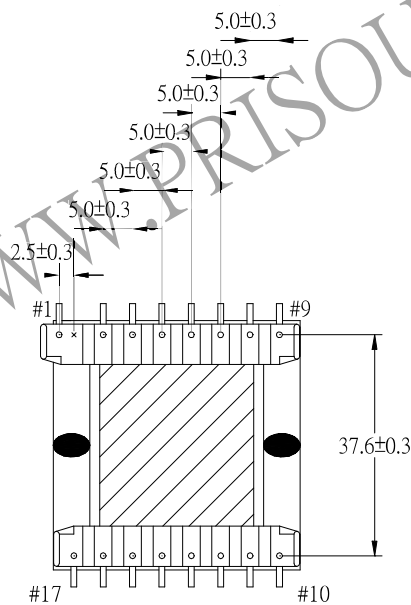
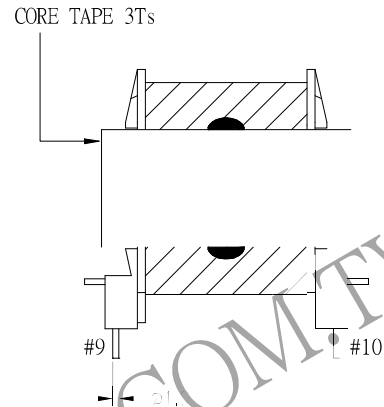
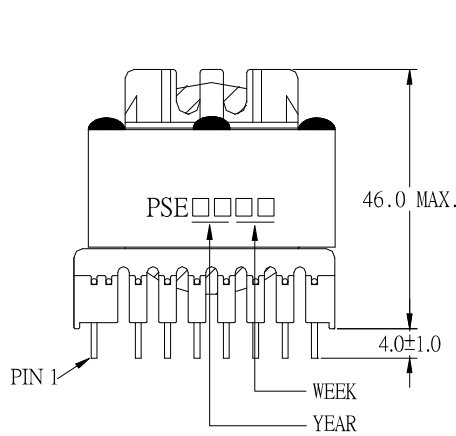
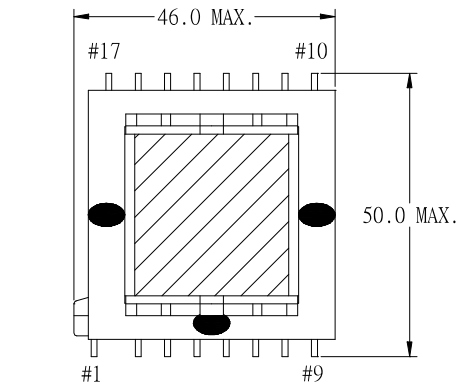


1. MECHANICAL & ASSEMBLY :



NOTE:

1. EPOXY FIXED BETWEEN CORE & CORE (TTL:4 POINTS)
2. EPOXY FIXED TOP OF BOBBIN & CORE.(ONE POINT AT PIN1-9 SIDE).
3. ADHESIVE KE-45W ON CORE CENTER LEG(ONE POINT)
4. PIN 2 NO.

UNIT:mm

| | | | | | |
|-----------|----------|-------------|---------------------|---------|-------|
| REPORT BY | CHECK BY | APPROVED BY | CUSTOMER : | DATE | |
| | | | PART NO : 82P-13031 | REV NO. | |
| | | | ISSUE NO : | PAGE | 4 - 1 |

2. WINDING CONFIGURATION:

| STEP | WINDING | MARGIN TAPE | START-FINISH | COPPER WIRE | URNS | LAYER TAPE | TUBE | METHOD |
|------|---------|-----------------|--------------|-------------|------|------------|------|----------|
| 1 | P | 3.0mm/3.0mm×4Ts | 4 - 6 | 0.07φ/160 | 14 | 3Ts | #12 | CLOSE |
| 2 | S1 | 3.0mm/~×10Ts | 10 - 12 | 0.07φ/378 | 6 | 1T | #10 | BIFILAR, |
| 3 | S2 | ~/3.0mm×10Ts | 15 - 17 | 0.07φ/378 | 6 | | #10 | CLOSE |
| 4 | S3 | 3.0mm/3.0mm×1T | 14 - 16 | 0.20φ | 3 | 3Ts | #24 | SPACE |
| | | | | | | | | |
| | | | | | | | | |
| | | | | | | | | |
| | | | | | | | | |

NOTE:

3. ELECTRICAL CHARACTERISTICS:

| PIN NO. | INDUCTANCE 10 KHz, 1.0Vrms | LEAKAGE INDUCTANCE 100KHz, 0.1Vrms | VOLTAGE RATIO(V) f= 20KHz INPUT 1Vrms | DCR MAX. AT 25°C |
|---------|-------------------------------|---------------------------------------|---|---------------------|
| 4 - 6 | 1.02mH±20.0% | 3.3uH MAX | | 42.0 mΩ |
| 10 - 12 | | SHORT | 0.4278V±4.0% | 12.0 mΩ |
| 15 - 17 | | SHORT | 0.4278V±4.0% | 12.0 mΩ |
| 14 - 16 | | SHORT | 0.2136V±4.0% | 0.25 Ω |
| | | | | |
| | | | | |
| | | | | |

HI-POT TEST :(AT 2 mA, 1SEC.)

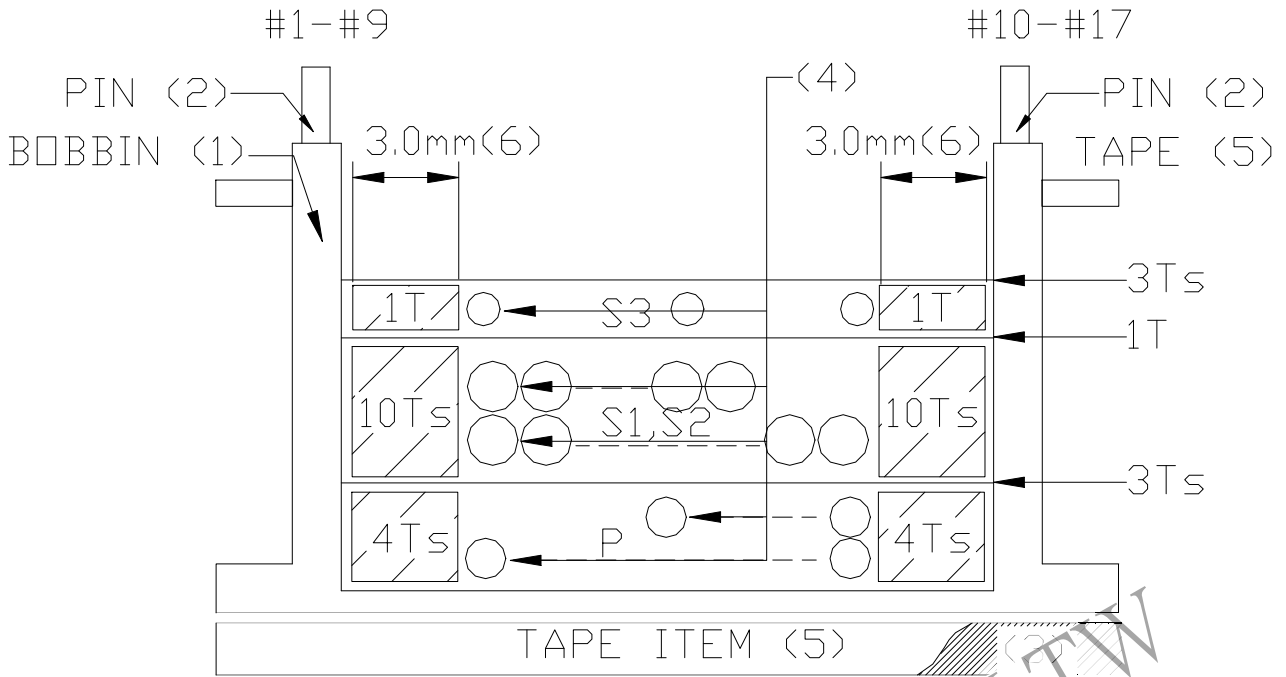
PRI. TO SEC. 4000 VAC
 SEC TO CORE. 4000 VAC
 PRI TO SEC. 350 VAC

INSULATION RESISTANCE:(AT DC 500V)

PRI. TO SEC. 100 MΩ MIN.
 SEC TO CORE. 100 MΩ MIN.

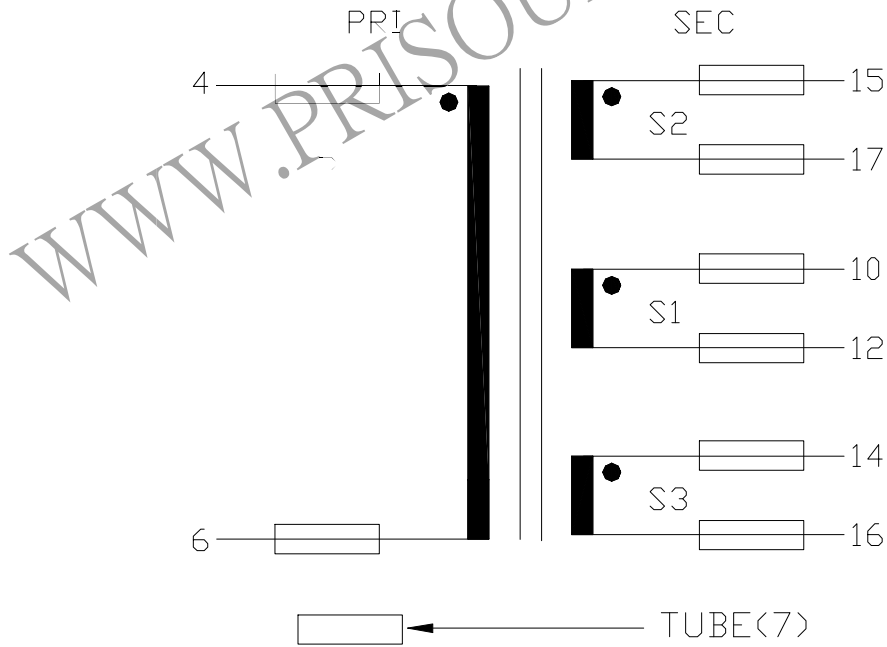
| REPORT BY | CHECK BY | APPROVED BY | CUSTOMER : | DATE | |
|-----------|----------|-------------|---------------------|---------|-------|
| | | | PART NO : 82P-13031 | REV NO. | |
| | | | ISSUE NO : | PAGE | 4 - 2 |

4. WINDING SEQUENCE:



P WINDING FROM PIN 1-9 SIDE
 S1,S2,S3 WINDING FROM PIN 10-17 SIDE

5. SCHEMATIC:



| | | | | | |
|-----------|----------|-------------|---------------------|---------|-------|
| REPORT BY | CHECK BY | APPROVED BY | CUSTOMER : | DATE | |
| | | | PART NO : 82P-13031 | REV NO. | |
| | | | ISSUE NO : | PAGE | 4 - 3 |