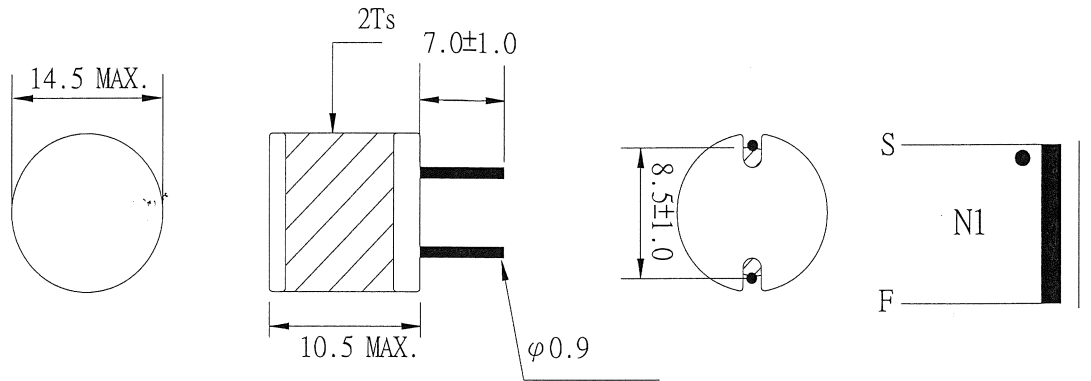


# 1. MECHANICAL & ASSEMBLY :



UNIT:m/m

# 2. WINDING CONFIGURATION:

STEP	WINDING	MARGIN TAPE	START-FINISH	COPPER WIRE	TURN	LAYER TAPE	METHOD
1	N1	~	S - F	0.90 φ	13.5Ts REF	2Ts	CLOSE

NOTE:

# 3. ELECTRICAL CHARACTERISTICS :

PIN NO.	INDUCTANCE 10 KHz, 0.3 V	DC SATURATION 10KHz, 0.3Vrms+DC 6A	VOLTAGE RATIO(V) f= KHz	DCR(MAX.) AT 25°C
S - F	10.0uH±20%	10.0uH±20%		15.0mΩ