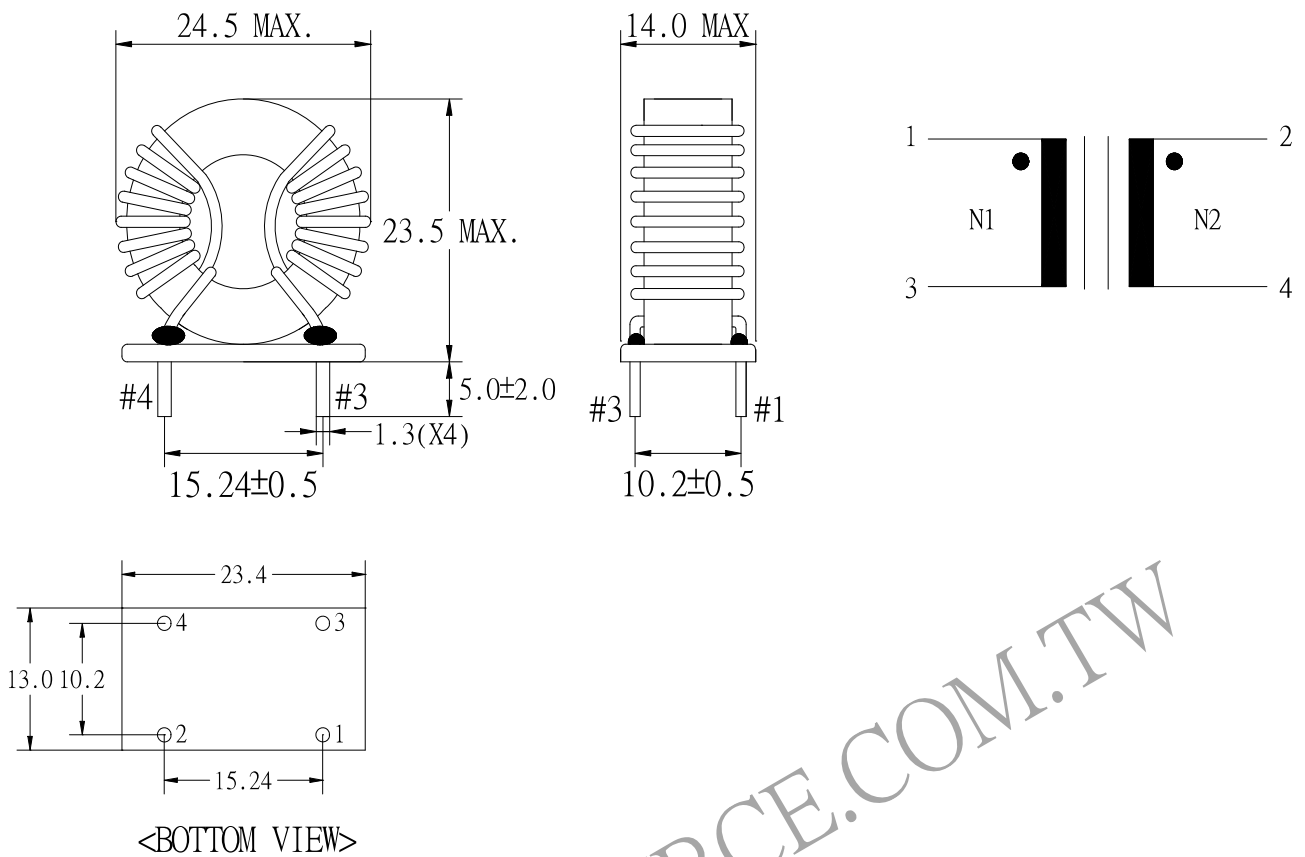


1. MECHANICAL & ASSEMBLY :



UNIT:m/m

2. WINDING CONFIGURATION:

STEP	WINDING	MARGIN TAPE	START-FINISH	COPPER WIRE	TURN	LAYER TAPE	TUBE
1	N1		1 - 3	1.3 φ	8		
2	N2		2 - 4	1.3 φ	8		

REPORT BY	CHECK BY	APPROVED BY	CUSTOMER :	DATE	
			PART NO : 66K-17002	REV NO.	
			ISSUE NO :	PAGE	2 - 1