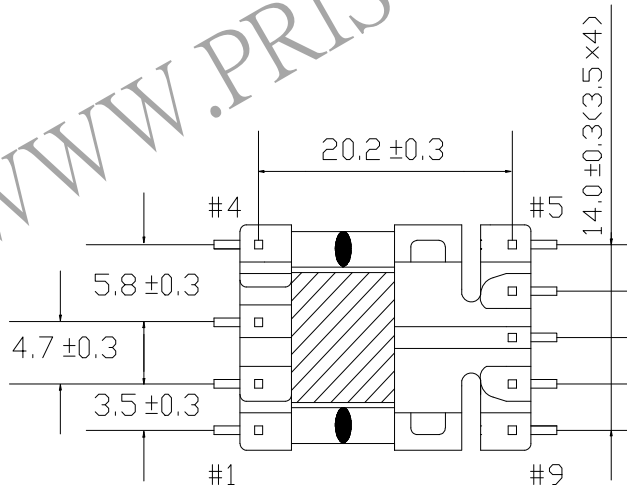
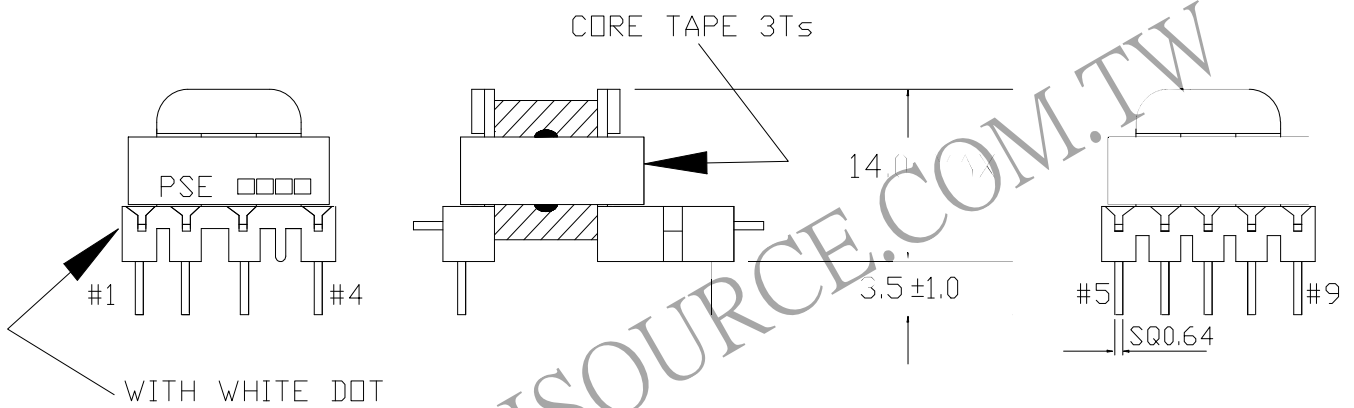
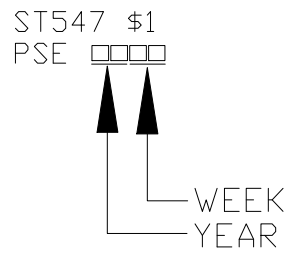
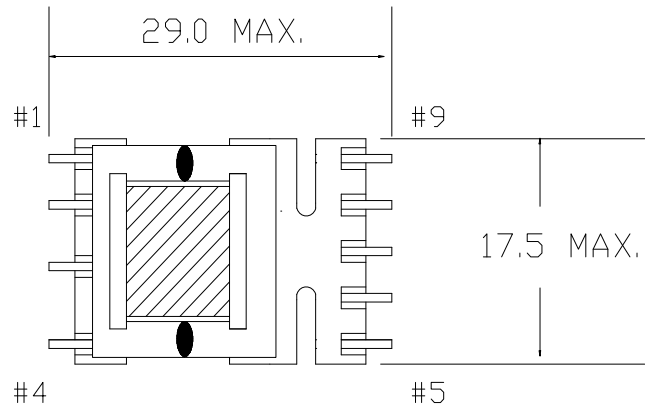


1. MECHANICAL & ASSEMBLY :



NOTE:

1. EPOXY FIXED BETWEEN CORE & CORE (TTL:4 POINTS). EPOXY FIXED OF BOBBIN & CORE.(ONE POINT AT PIN1-4 SIDE).
2. PIN 1 WITH WHITE DOT

NIT:mm

REPORT BY	CHECK BY	APPROVED BY	CUSTOMER :	DATE
			PART NO : 54P-17058	REV NO.
			ISSUE NO :	PAGE
				4 - 1

2. WINDING CONFIGURATION :

STEP	WINDING	MARGIN TAPE	START-FINISH	COPPER WIRE	TURNS	LAYER TAPE	TUBE	METHOD
1						1T		
2	P3	3.5mm/1.0mm×1T	5 - 9	0.16φ	2	3Ts		SPACE
3	P1	3.5mm/1.0mm×3Ts	6 - 7	0.16φ	20	4Ts	#28	BIFILAR, CLOSE
4	P2		7 - 8	0.16φ	20			
5	S1	1.0mm/3.5mm×1T	4 - 3	0.20φ	6	2Ts	#28	SPACE
6	S2	1.0mm/3.5mm×1T	2 - 1	0.20φ	6	2Ts	#28	SPACE

NOTE:

3. ELECTRICAL CHARACTERISTICS :

PIN NO.	INDUCTANCE 1.0 KHz, 1.0Vrms	LEAKAGE INDUCTANCE KHz, Vrms	VOLTAGE RATIO(V) F= 20KHz	DCR MAX. AT 25°C
6 - 8	400.0uH±15%		INPUT 1Vrms	1.30 Ω
5 - 9			0.0492Vrms±7.0%	85.0mΩ
6 - 7			0.4998Vrms±4.0%	0.65 Ω
7 - 8			0.5002Vrms±3.0%	0.65 Ω
4 - 3			0.1463Vrms±4.0%	148.5mΩ
2 - 1			0.1469Vrms±4.0%	156.0mΩ

HI-POT TEST :(AT 1 mA, 1 SEC.)

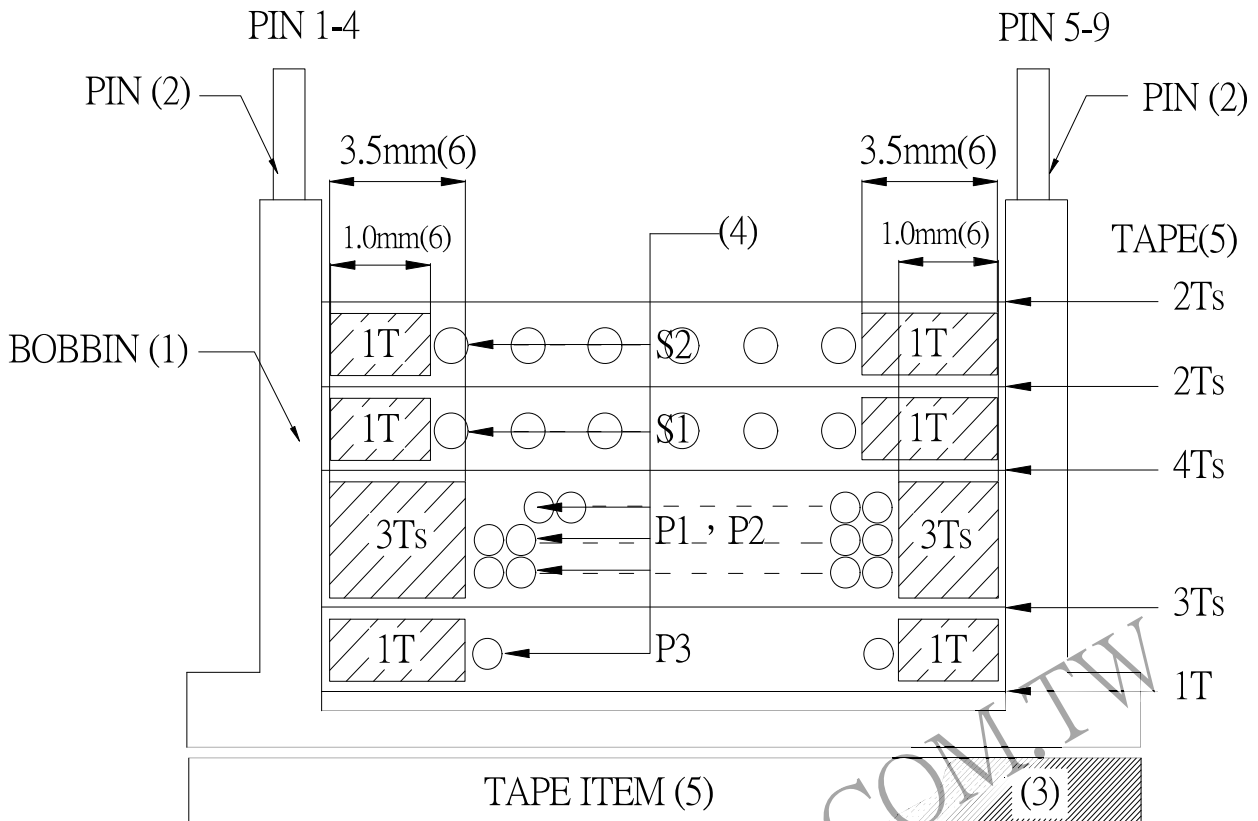
PRI. TO SEC. 3600 VAC
PRI,SEC TO CORE. 1800 VAC

INSULATION RESISTANCE:

PRI. TO SEC. 100 MΩ ≧ . (AT DC 1000V)
PRI,SEC TO CORE. 100 MΩ ≧ . (AT DC 500V)

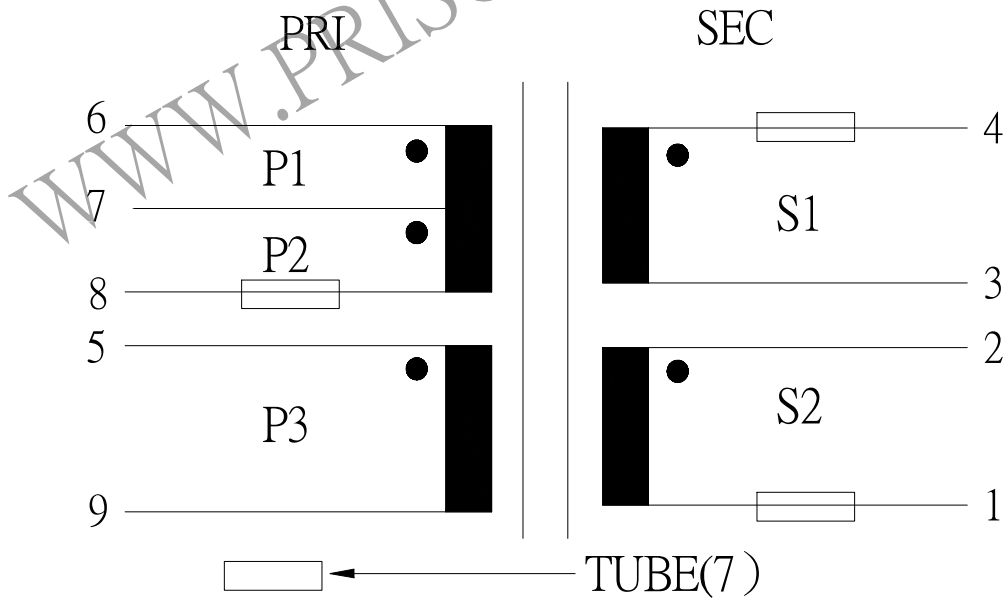
REPORT BY	CHECK BY	APPROVED BY	CUSTOMER :	DATE
			PART NO : 54P-17058	REV NO.
			ISSUE NO :	PAGE 4 - 2

4. WINDING SEQUENCE:



S1 , S2 WINDING FROM PIN 1-4 SIDE
 P3,P1,P2 WINDING FROM PIN 5-9 SIDE

5. SCHEMATIC:



REPORT BY	CHECK BY	APPROVED BY	CUSTOMER :	DATE	
			PART NO : 54P-17058	REV NO.	
			ISSUE NO :	PAGE	4 - 3