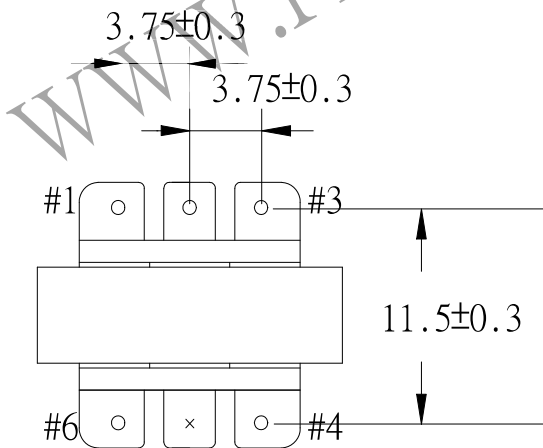
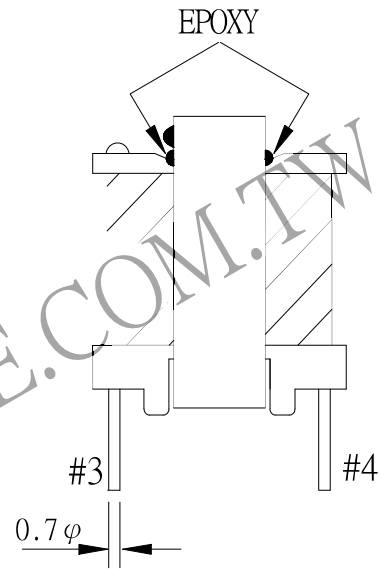
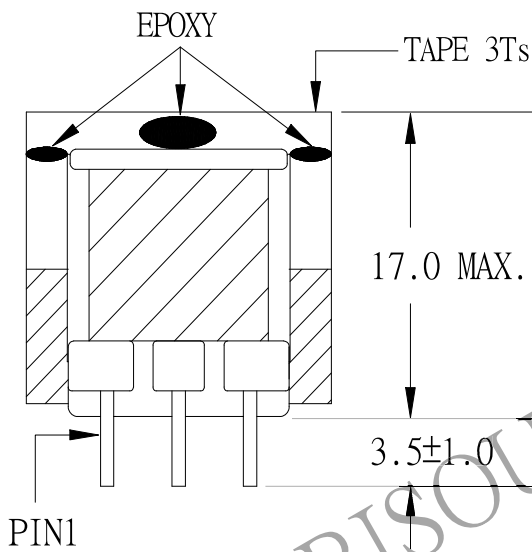
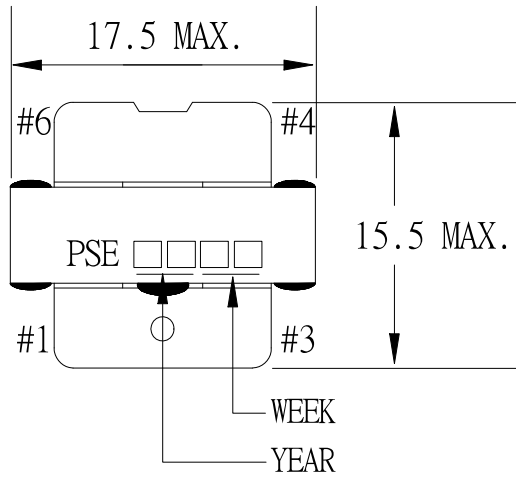


1. MECHANICAL & ASSEMBLY :



NOTE:

1. PIN 5 NO
2. EPOXY FIXED BETWEEN CORE & CORE (TTL:4 POINTS)
EPOXY FIXED TOP OF BOBBIN & CORE.(ONE POINT AT PIN1-3 SIDE).

UNIT : m/m

REPORT BY	CHECK BY	APPROVED BY	CUSTOMER :	DATE	
			PART NO : 54P-16070	REV NO.	
			ISSUE NO :	PAGE	4 - 1

2. WINDING CONFIGURATION:

STEP	WINDING	MARGIN TAPE	START-FINISH	COPPER WIRE	TURNS	LAYER TAPE	TUBE	METHOD
1	P1		3 - 2	0.10φ	98	1T	#26/~	CLOSE
2	S		6 - 4	TEX-E 0.26φ	36	3Ts		CLOSE
3	P2		2 - 1	0.10φ	97	3Ts		CLOSE

NOTE:

3. ELECTRICAL CHARACTERISTICS:

PIN NO.	INDUCTANCE 1.0 KHz, 1.0Vrms	LEAKAGE INDUCTANCE KHz, Vrms	VOLTAGE RATIO(V) F= 20KHz	DCR MAX. AT 25°C
3 - 1	2.82mH±10.0%		INPUT 1 Vrms	16.2Ω
3 - 2			0.4998 Vrms±4.0%	6.8 Ω
6 - 4			0.1882 Vrms±4.0%	0.45Ω
2 - 1			0.5001 Vrms±3.0%	9.5Ω

HI-POT TEST :(AT 0.5 mA, 2 SEC.)

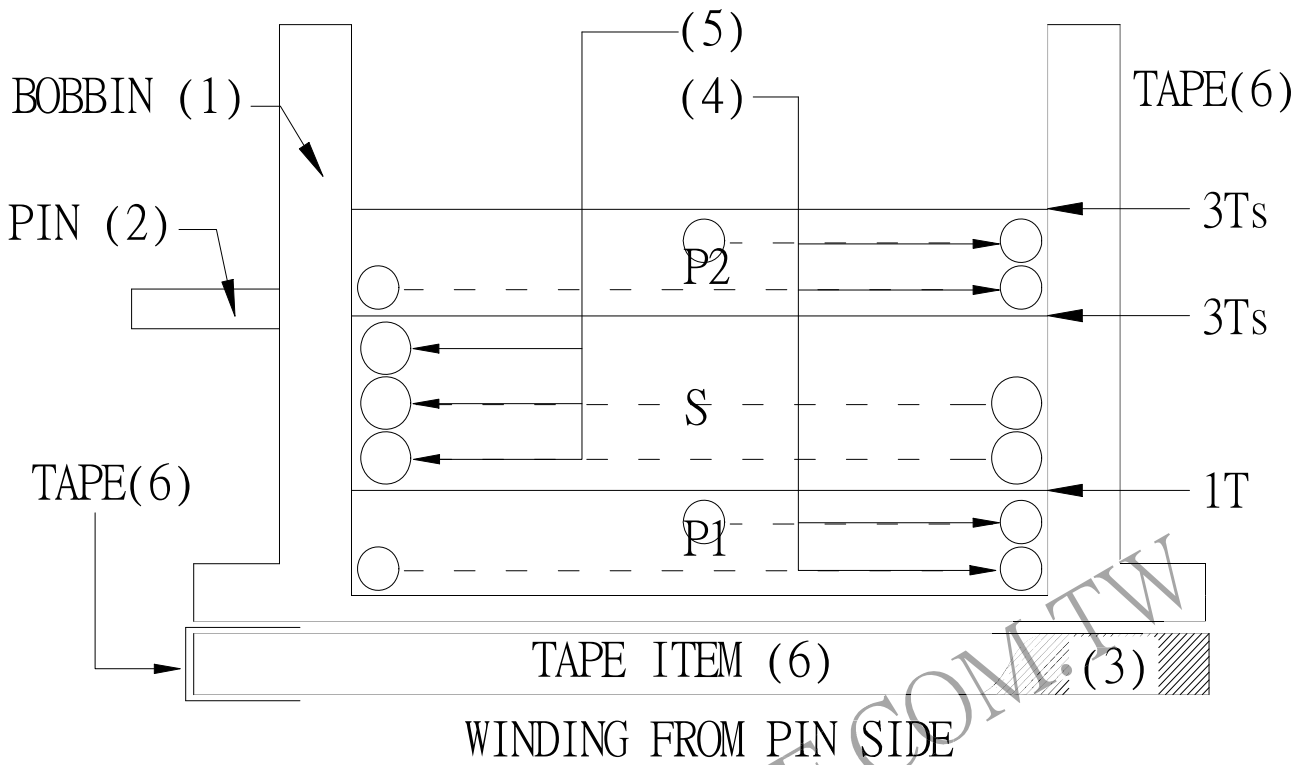
P TO S 3600 VAC

INSULATION RESISTANCE:(AT DC 500V)

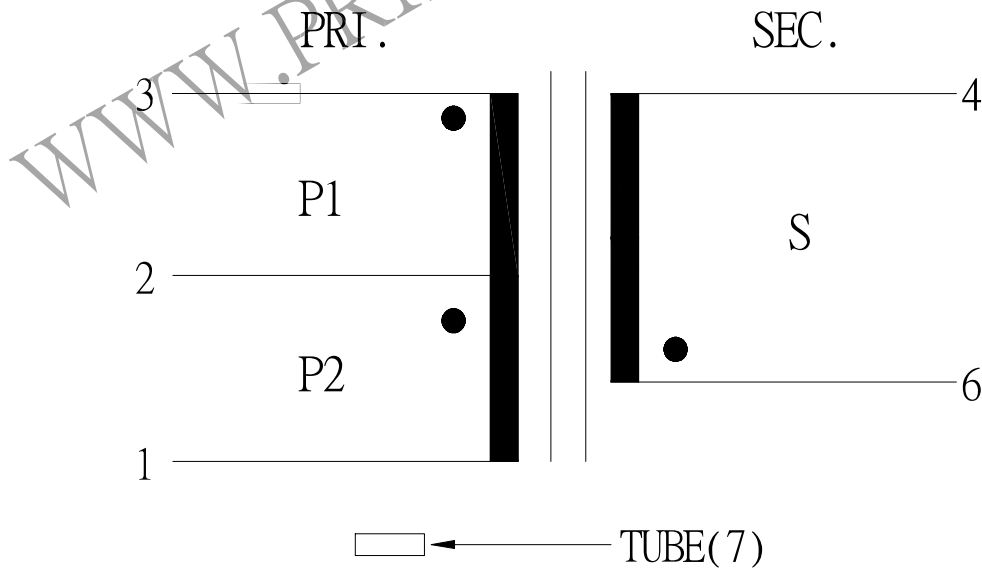
P TO S 100 MΩ MIN.

REPORT	CHECK BY	APPROVED BY	CUSTOMER :	DATE
			PART NO : 54P-16070	REV NO.
			ISSUE NO :	PAGE 4 - 2

4. WINDING SEQUENCE:



5. SCHEMATIC:



REPORT BY	CHECK BY	APPROVED BY	CUSTOMER :	DATE	
			PART NO : 54P-16070	REV NO.	
			ISSUE NO :	PAGE	4 - 3