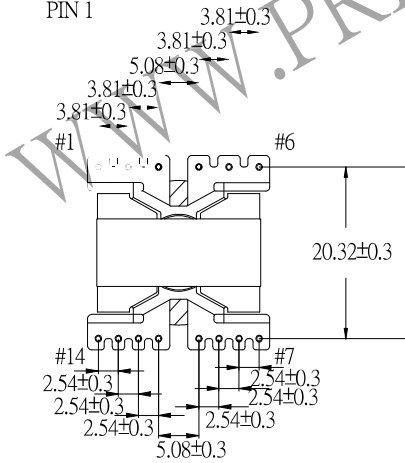
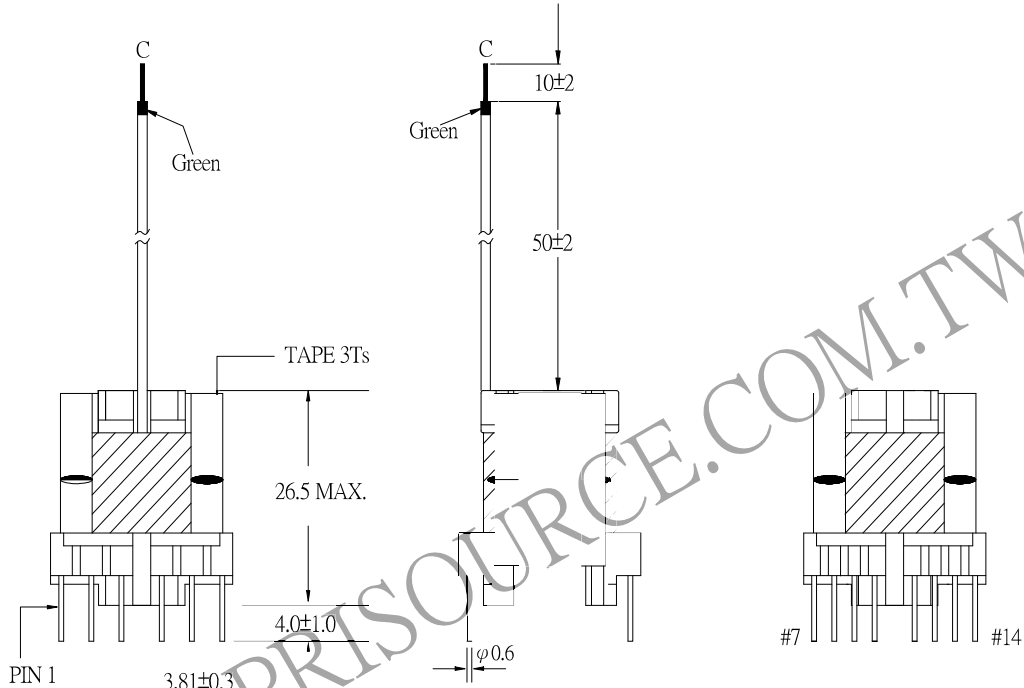
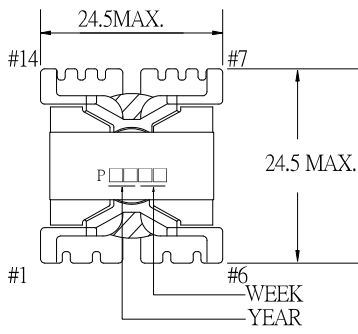


1.MECHANICAL & ASSEMBLY:



NOTE:

1. EPOXY FIXED BETWEEN CORE & CORE (TTL:4 POINTS)
2. EPOXY FIXED TOP OF BOBBIN & CORE (ONE POINT)

UNIT : mm

REPORT BY	CHECK BY	APPROVED BY	CUSTOMER :	DATE
			PART NO : 54P-15096	REV NO.
			ISSUE NO :	PAGE
				4 - 1

2. WINDING CONFIGURATION :

STEP	WINDING	MARGIN TAPE	START-FINISH	COPPER WIRE	TURNS	LAYER TAPE	TUBE	METHOD
1	A	2.0mm/2.0mm×3Ts	6 - 4	0.14φ	201	1T	0.6φ	CLOSE
2	F	2.0mm/2.0mm×2Ts	3 - 1	0.40φ	17	3Ts	0.6φ	CLOSE
3	SHIELD	2.0mm/2.0mm×1T	C -	t0.025×7	1	1T	0.6φ	Center
4	C	~2.0mm×1T	11 - 12	0.40φ	6	1T		CLOSE
5	B	2.0mm/~×1T	13 - 14	0.40φ	6	1T		CLOSE
6	E	~2.0mm×1T	7 - 8	0.40φ	7	1T		CLOSE
7	D	2.0mm/~×1T	9 - 10	0.40φ	6	2Ts		CLOSE

NOTE:

3. ELECTRICAL CHARACTERISTICS :

PIN NO.	INDUCTANCE 1.0 KHz, 1.0Vrms	LEAKAGE INDUCTANCE KHz, mVrms	VOLTAGE RATIO(V) f=20KHz INPVT 1Vrms	DCR MAX AT 25°C
6 - 4	8.464mH ±10%			10.5 Ω
3 - 1			0.0848Vrms±5%	125.0mΩ
11 - 12			0.0296Vrms±7%	55.0mΩ
13 - 14			0.0300Vrms±7%	60.0mΩ
7 - 8			0.0345Vrms±7%	70.0mΩ
9 - 10			0.0300Vrms±7%	62.0mΩ

HI-POT TEST : (AT 1 mA, 2 SEC.)

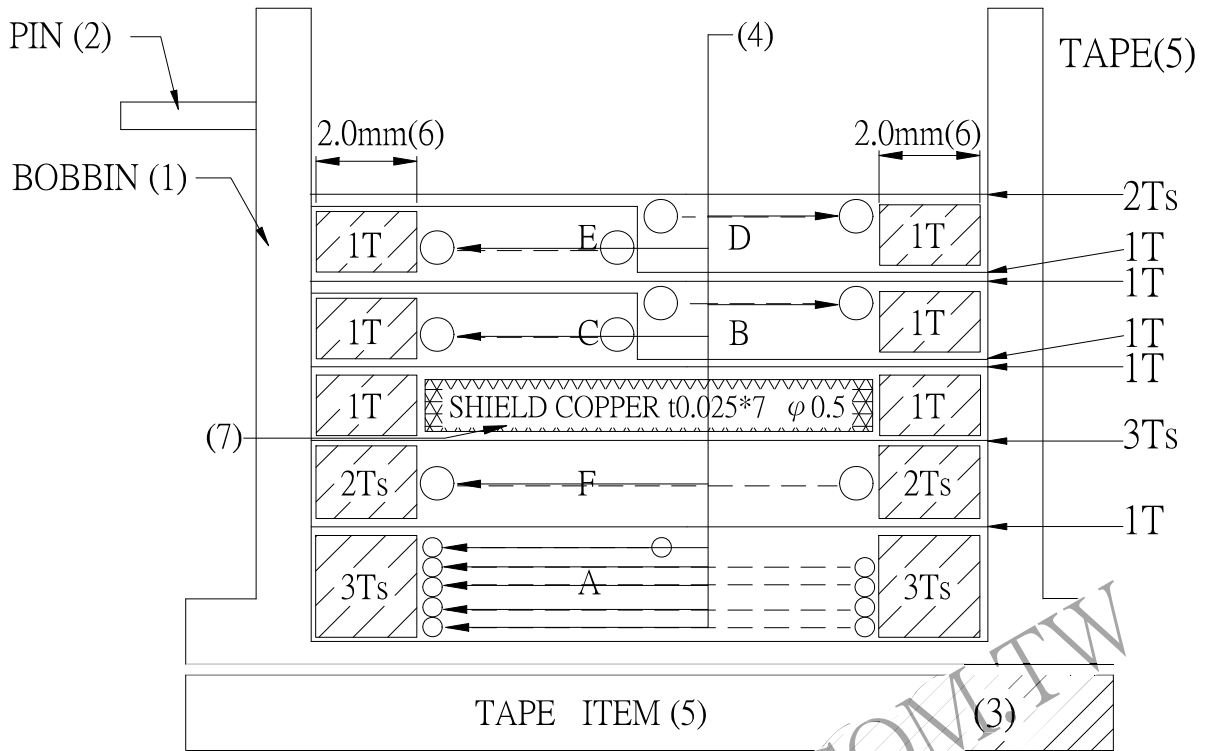
PRI TO SEC 2640VAC

INSULATION RESISTANCE: (AT DC 500V)

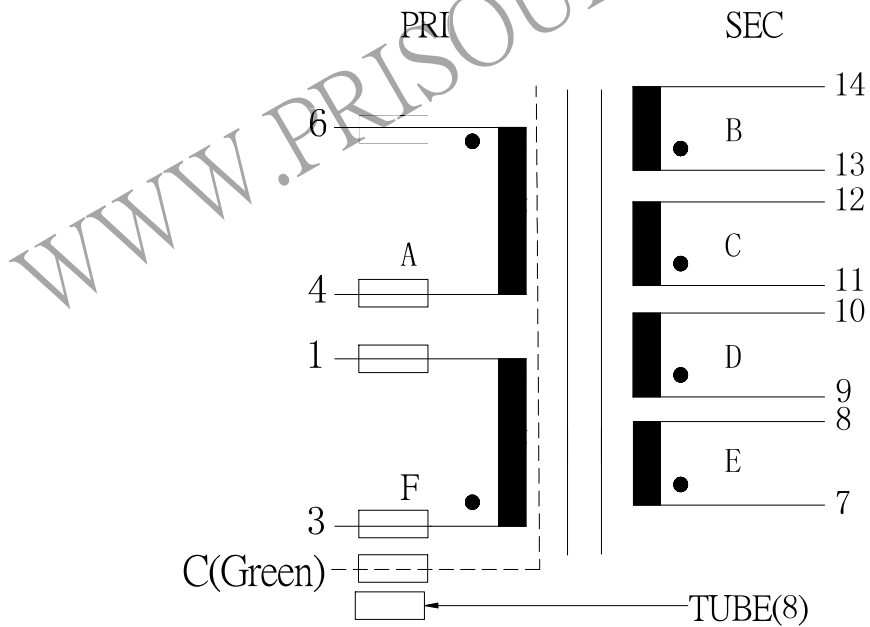
PRI TO SEC 100 MΩ MIN.

REPORT BY	CHECK BY	APPROVED BY	CUSTOMER :	DATE	
			PART NO : 54P-15096	REV NO.	
			ISSUE NO :	PAGE	4 - 2

4. WINDING SEQUENCE:



5. SCHEMATIC:



REPORT BY	CHECK BY	APPROVED BY	CUSTOMER :	DATE	
			PART NO : 54P-15096	REV NO.	
			ISSUE NO :	PAGE	4 - 3