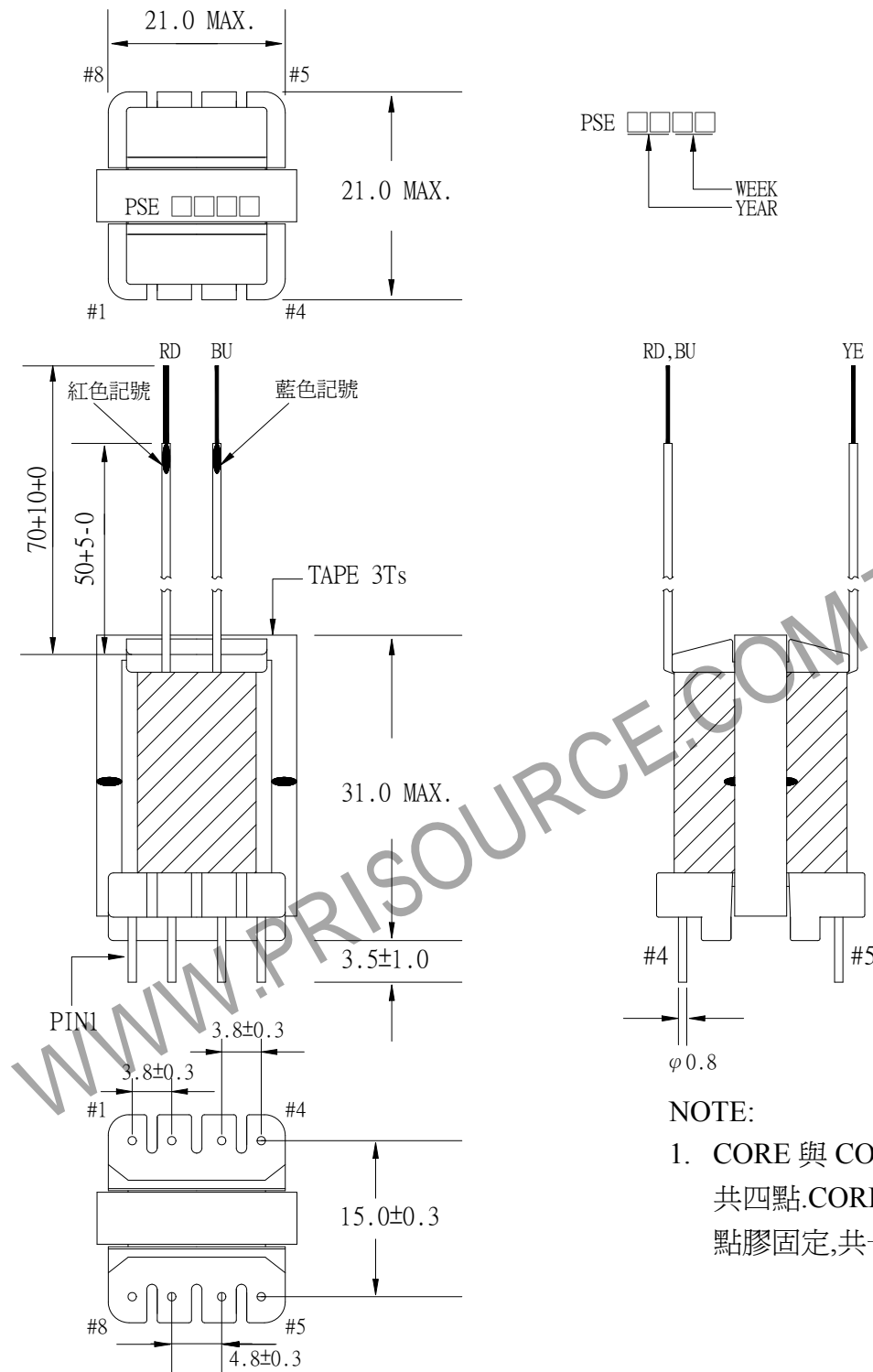


1. MECHANICAL & ASSEMBLY :



NOTE:

1. CORE 與 CORE 接合處點膠固定, 共四點. CORE 與 BOBBIN 頂部間點膠固定, 共一點

UNIT : m/m

REPORT BY	CHECK BY	APPROVED BY	CUSTOMER :	DATE	
			PART NO : 54P-15060	REV NO.	
			ISSUE NO :	PAGE	4 - 1

2. WINDING CONFIGURATION :

STEP	WINDING	MARGIN TAPE	START-FINISH	COPPER WIRE	TURNS	LAYER TAPE	METHOD
1	N6		5 - 6	TEX-E0.32φ	31	1T	疏繞
2	N5		6 - YE	TEX-E0.32φ	15		密繞
3	N4		YE - 7	TEX-E0.32φ	16	1T	接 N5 后密繞
4	N2		4 - 2	0.23φ	27	1T	並密繞
5	N3		BU - RD	0.23φ	33		
6	N1		1 - 3	0.23φ	213	1T/1T/2Ts	密繞
7						2Ts	

NOTE:

3. ELECTRICAL CHARACTERISTICS :

PIN NO.	INDUCTANCE 1.0 KHz, 1.0V	LEAKAGE INDUCTANCE KHz, Vrms	VOLTAGE RATIO(V) F= 20KHz	DCR MAX. AT 25°C
1 - 3	3.4mH±10%.		INPUT 1 Vrms	4.70Ω
4 - 2			0.1214Vrms±3.0%	0.55Ω
YE - 7			0.0751Vrms±5.0%	175.0mΩ
6 - YE			0.0656Vrms±5.0%	160.0mΩ
5 - 6			0.1377Vrms±3.0%	0.28Ω
BU - RD			0.1518Vrms±3.0%	0.70Ω

HI-POT TEST : (AT 1 mA, 2 SEC.)

PRI. TO SEC. 3600 VAC

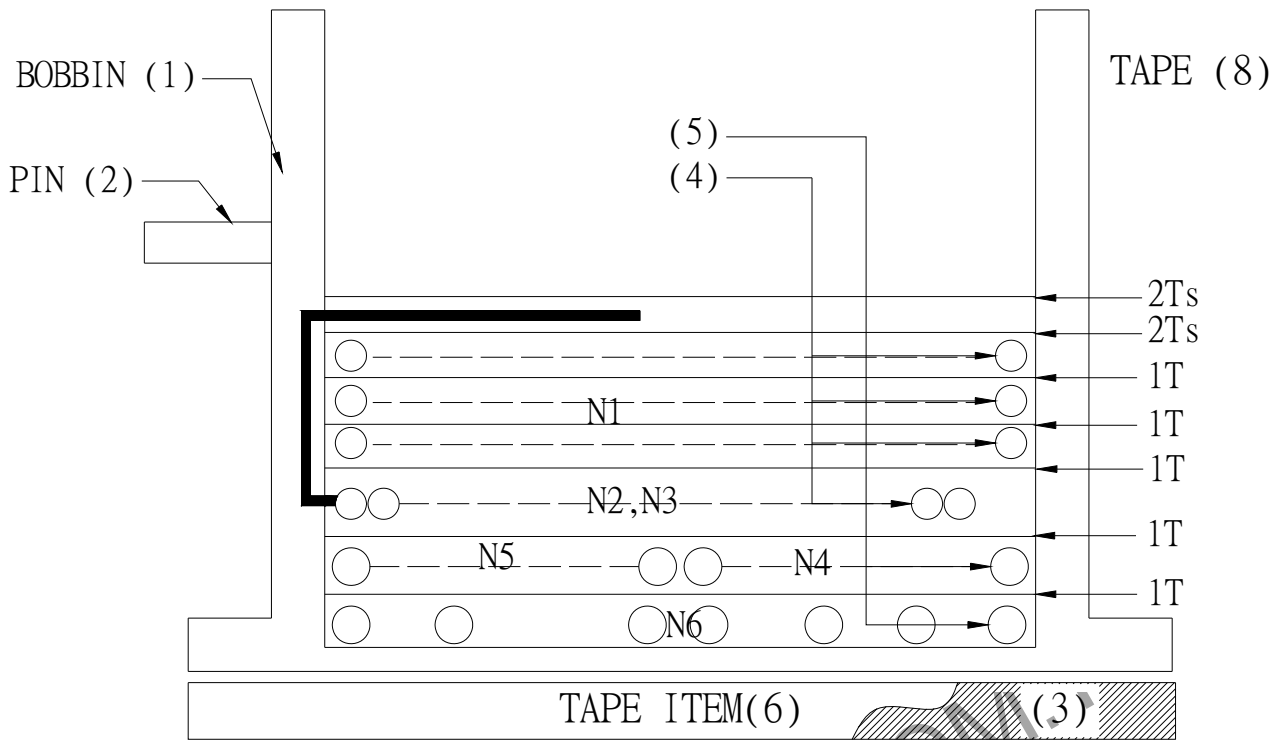
INSULATION RESISTANCE: (AT DC 500V)

PRI. TO SEC. 100 MΩ MIN.

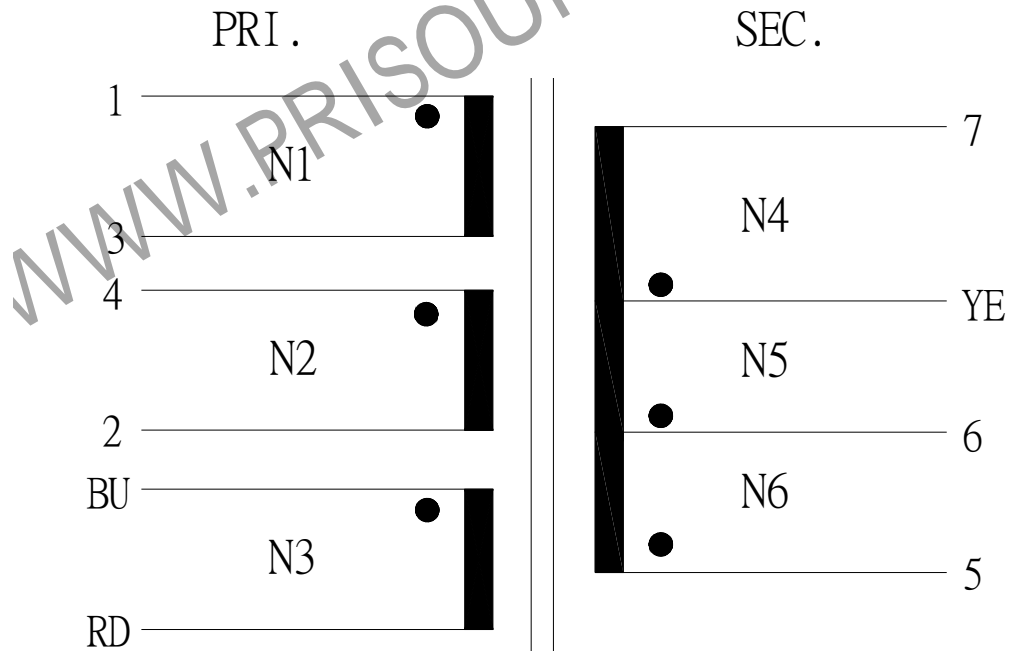
REPORT BY	CHECK BY	APPROVED BY	CUSTOMER :	DATE	
			PART NO : 54P-15060	REV NO.	
			ISSUE NO :	PAGE	4 - 2

PRISOURCE ELECTRONICS CO.,LTD.

4. WINDING SEQUENCE:



5. SCHEMATIC:



REPORT BY	CHECK BY	APPROVED BY	CUSTOMER :	DATE
			PART NO : 54P-15060	REV NO.
			ISSUE NO :	PAGE 4 - 3

6 . MATERIAL LIST :

NO	DESCRIPTION	ITEM	MATERIAL	LIST OF SAMPLE	UL NO.	MANUFACTURE
1	BOBBIN	(1)	PHENOLIC(T375J) Thickness : 0.8mm MIN	√	E59481	CHANG CHUN
2	PIN	(2)	TINNED COPPER WIRE 0.8 φ	√		
3	CORE	(3)	FERRITE CORE EEL-19 EEL-19 TP4	√		TDG
4	COPPER WIRE	(4)	POLYURETHANE (1UEW) MW75-C TYPYU-130	√	E197768	HENG YA
		(5)	TEX-E	√	E206440	FURUKAWA
5	MYLAR TAPE	(6)	POLYESTER FILM #1318-1 Y	√	E17385	3M
6	EPOXY		6020H	√	E229633	WELLS
9	VARNISH		WP-2952F-2G	√	E72979	HITACHI

REPORT BY	CHECK BY	APPROVED BY	CUSTOMER :	DATE
			PART NO : 54P-15060	REV NO.
			ISSUE NO :	PAGE 4 - 4