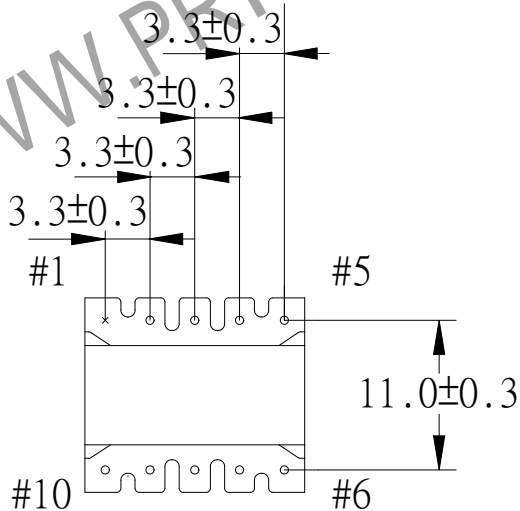
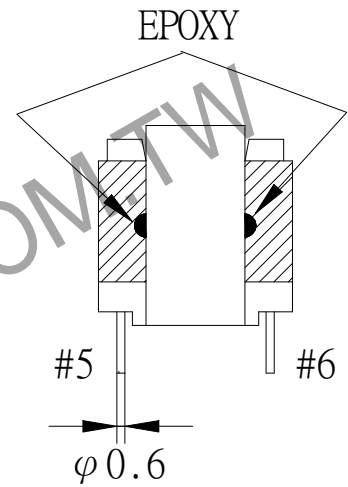
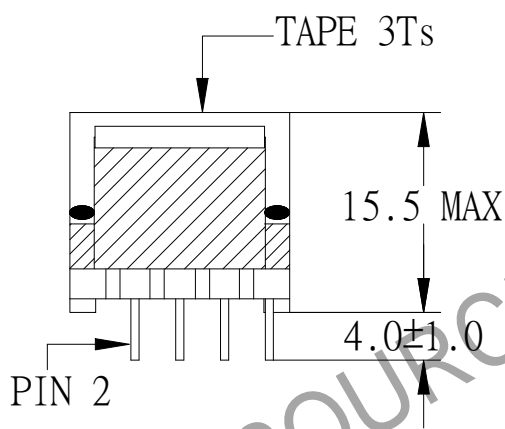
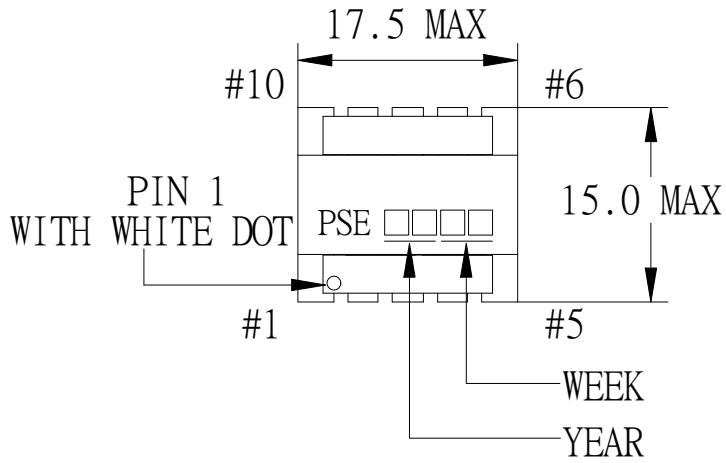


1. MECHANICAL & ASSEMBLY



NOTE:

1. PIN 1 NO.
2. EPOXY FIXED BETWEEN CORE & CORE (TTL:4 POINTS) EPOXY FIXED TOP OF BOBBIN & CORE.(ONE POINT).
3. PIN 1 WITH WHITE DOT

UNIT:mm

REPORT BY	CHECK BY	APPROVED BY	CUSTOMER :	DATE
			PART NO : 54P-15022	REV NO.
			ISSUE NO :	PAGE
				4 - 1

2. WINDING CONFIGURATION :

STEP	WINDING	MARGIN TAPE	START-FINISH	COPPER WIRE	TURNS	LAYER TAPE	TUBE	METHOD
1	S1		2 - 4	TEX-E 0.23φ	56	3Ts		CLOSE
2	N1		6 - 10	TEX-E 0.35φ	14	3Ts		CLOSE

NOTE:

3. ELECTRICAL CHARACTERISTICS :

PIN NO.	INDUCTANCE 1.0 KHz, 1.0Vrms	LEAKAGE INDUCTANCE KHz, Vrms	VOLTAGE RATIO(V) F= 20KHz	DCR MAX. AT 25°C
2 - 4	1.33mH± 20%		INPUT 1Vrms	0.90 Ω
6 - 10			0.2500Vrms±4.0%	115.0mΩ

HI-POT TEST :(AT 10 mA , 2SEC.)

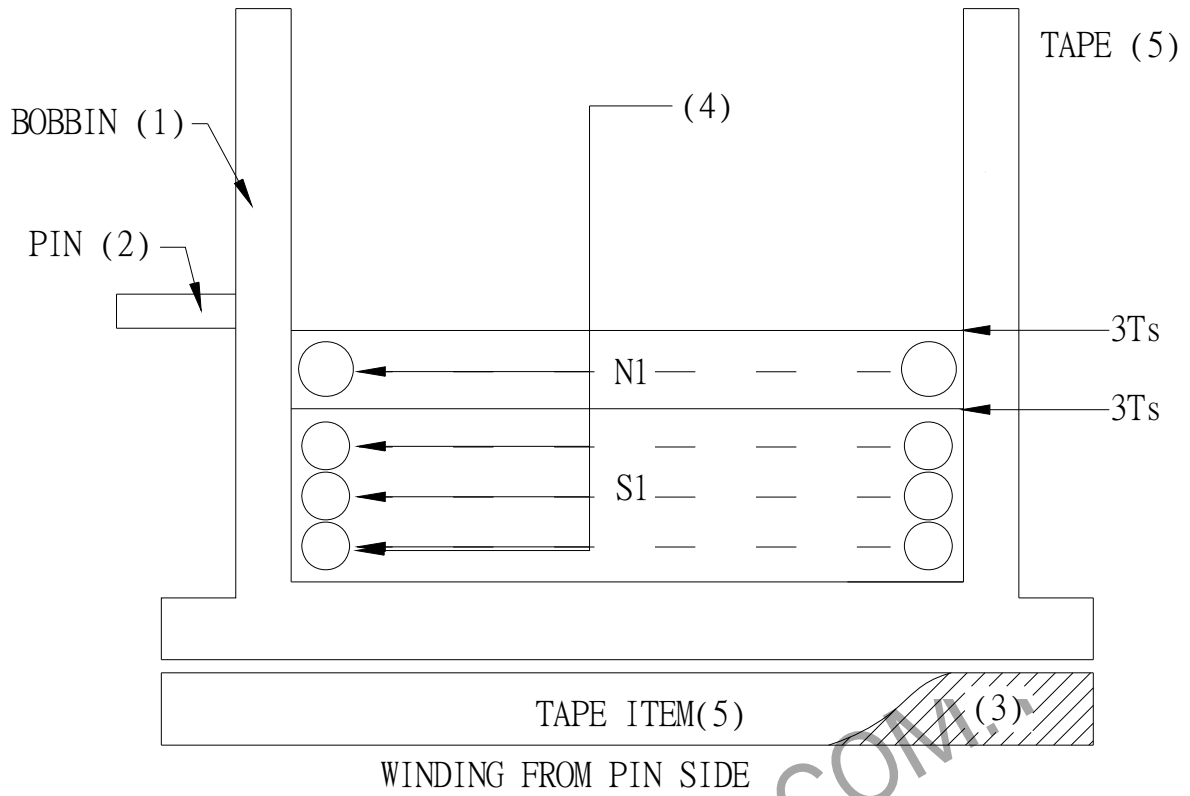
PRI	TO	SEC	3600 VAC
PRI	TO	CORE	3600 VAC
SEC	TO	CORE	1800 VAC

INSULATION RESISTANCE:(AT DC 500V)

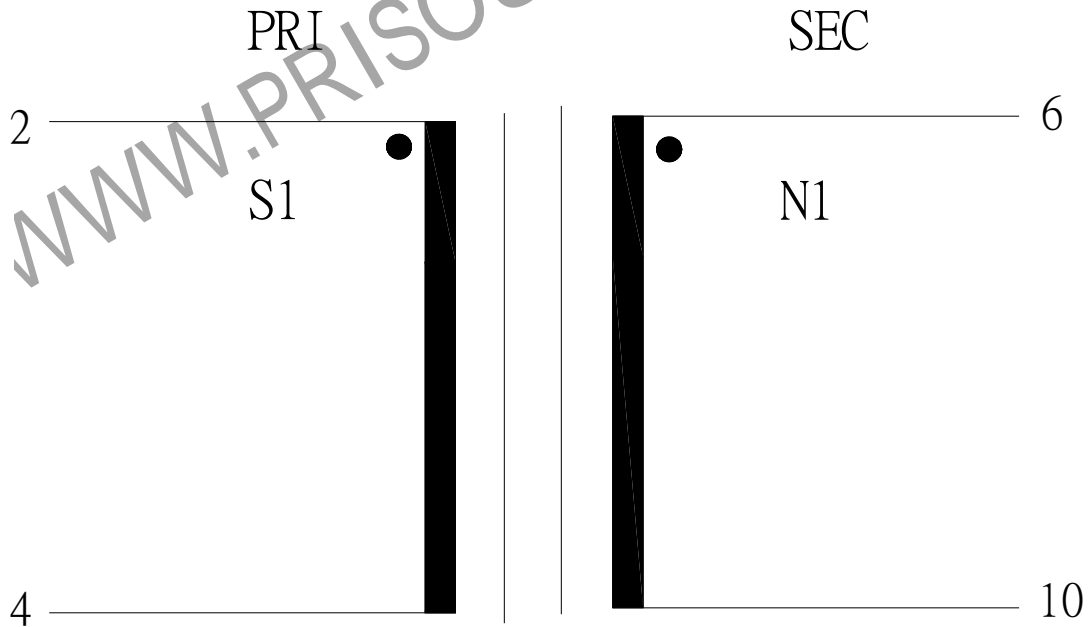
PRI	TO	SEC	100 MΩ MIN.
PRI ,SEC	TO	CORE	100 MΩ MIN.

REPORT BY	CHECK BY	APPROVED BY	CUSTOMER :	DATE	
			PART NO : 54P-15022	REV NO.	
			ISSUE NO :	PAGE	4 - 2

4. WINDING SEQUENCE:



5. SCHEMATIC:



REPORT BY	CHECK BY	APPROVED BY	CUSTOMER :	DATE	
			PART NO : 54P-15022	REV NO.	
			ISSUE NO :	PAGE	4 - 3

6. MATERIAL LIST :

NO.	DESCRIPTION	ITEM	MATERIAL	LIST OF SAMPLE	UL NO.	MANUFACTURER
1	BOBBIN	(1)	PHENOLIC (PM-9820) Thickness:0.50mm Min.	✓	E41429	SUMITOMO
2	PIN	(2)	TINNED C.P WIRE Φ0.6	✓		WELL FORE
3	CORE	(3)	FERRITE CORE FSEE-16 NC-2H	✓		NICERA
4	TRIPLE WIRE	(4)	TEX-E	✓	E206440	FURUKAWA
5	MYLAR TAPE	(5)	POLYESTER FILM #1318-1 25um (Y) (G)	✓	E17385	3M
6	EPOXY		6020H	✓	E229633	WELLS
7	VARNISH		TVB2180T	✓	E83702	KYOCERA

REPORT BY	CHECK BY	APPROVED	CUSTOMER :	DATE	
			PART NO : 54P-15022	REV NO.	
			ISSUE NO :	PAGE	4 - 4