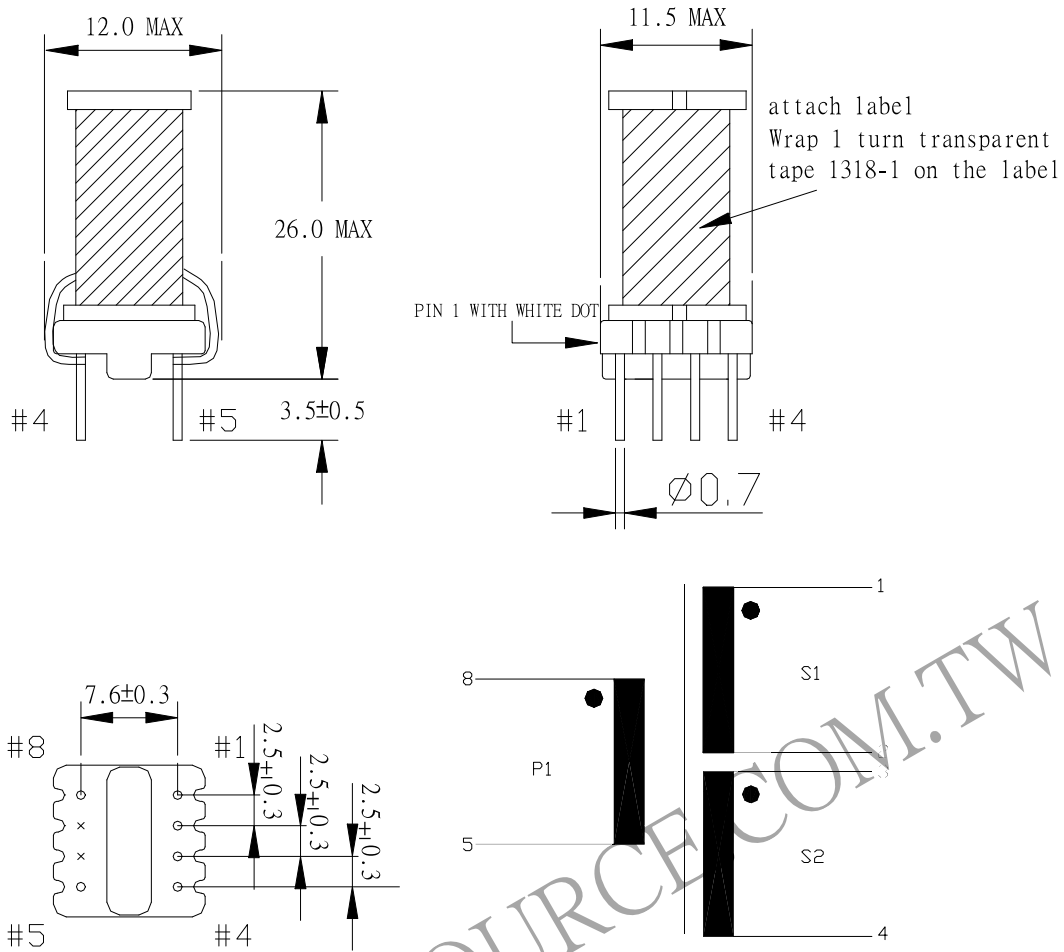


# 1. MECHANICAL & ASSEMBLY :



**NOTE:**

1. PIN 6,7 NO.
2. PIN 1 WITH WHITE DOT
3. EPOXY FIXED BETWEEN CORE & BASE (TTL:1 POINTS)

UNIT:m/m

# 2. WINDING CONFIGURATION :

STEP	WINDING	MARGIN TAPE	START-FINISH	COPPER WIRE	TURNS	LAYER TAPE	TUBE	METHOD
1	P1	~	8 - 5	TEX-E 0.5 φ	7	2Ts		BIFILAR, CLOSE
2	S1	~	1 - 2	TEX-E 0.2 φ	7			
3	S2	~	3 - 4	TEX-E 0.2 φ	7			

**NOTE :**

REPORT BY	CHECK BY	APPROVED BY	CUSTOMER :	DATE
			PART NO : 54K-17013	REV NO.
			ISSUE NO :	PAGE 2 - 1