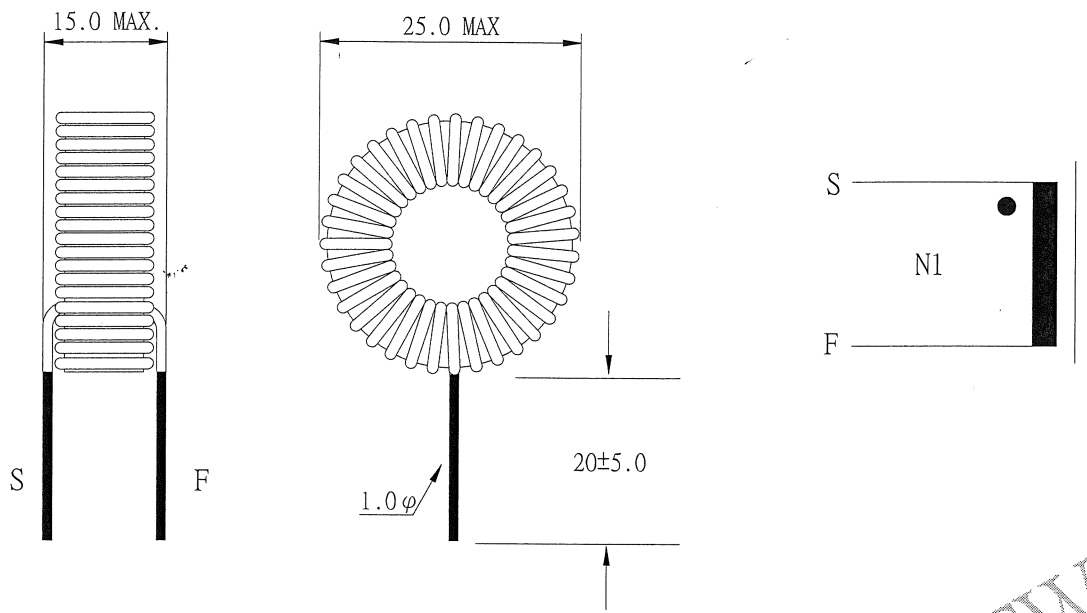


1. MECHANICAL & ASSEMBLY :



UNIT:mm

2. WINDING CONFIGURATION:

STEP	WINDING	MARGIN TAPE	START-FINISH	COPPER WIRE	TURN	LAYER TAPE	TUBE
1	N1	~	S - F	1.0 ϕ	30Ts REF.		

NOTE:

3. ELECTRICAL CHARACTERISTICS :

PIN NO.	INDUCTANCE 100 KHz, 1.0 V	DC SATURATION KHz, $V_{rms}+DC$ A	VOLTAGE RATIO(V) f= KHz	DCR(MAX.) AT 25°C
S - F	45.0uH MIN			28.0m Ω