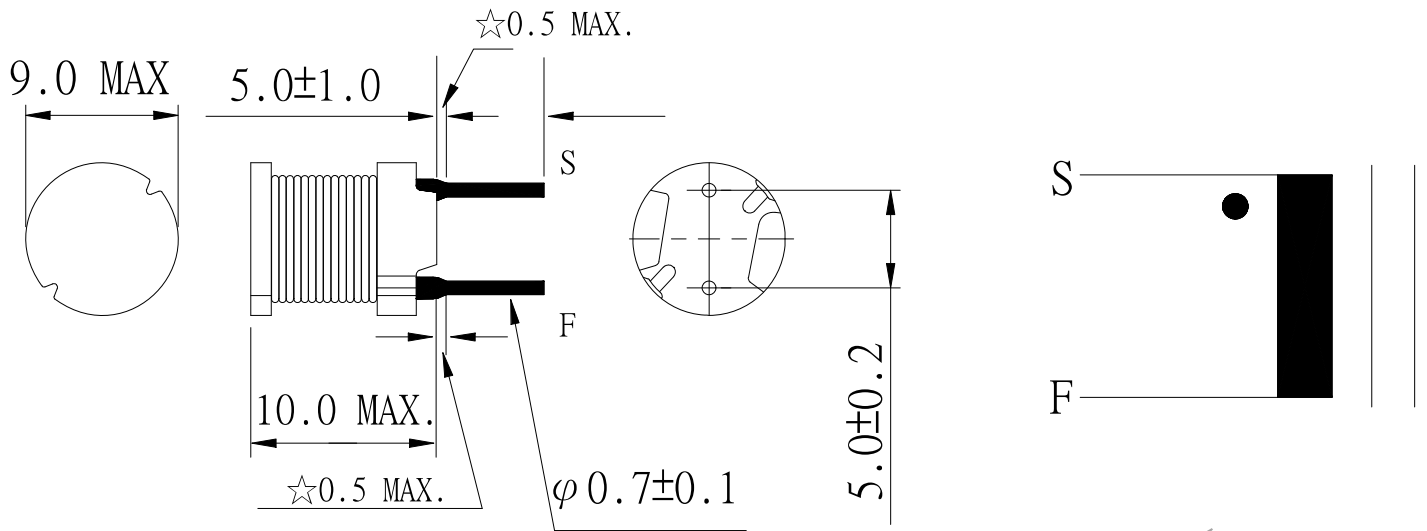


# 1. MECHANICAL & ASSEMBLY :



☆ 焊點超出CORE底部 0.5 MAX.

UNIT:m/m

# 2. WINDING CONFIGURATION:

STEP	WINDING	MARGIN TAPE	START-FINISH	COPPER WIRE	TURN	LAYER TAPE	TUBE
1		~	S - F	0.50 φ	18.5Ts REF.		

# 3. ELECTRICAL CHARACTERISTICS:

PIN NO.	INDUCTANCE 10.0 KHz, 0.3 V	INDUCTANCE DROP 10.0KHz,0.3Vrms+DC2.6A	DCR MAX. AT 25°C
S - F	10.0 uH ±20%	≅ 10%	40.0 mΩ

REPORT BY	CHECK BY	APPROVED BY	CUSTOMER :	DATE
			PART NO : 54K-14142	REV NO.
			ISSUE NO :	PAGE
				2 - 1