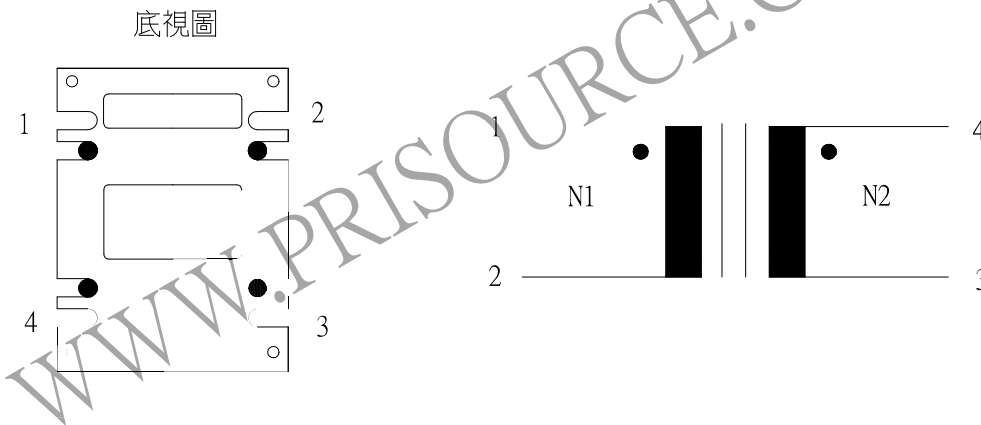
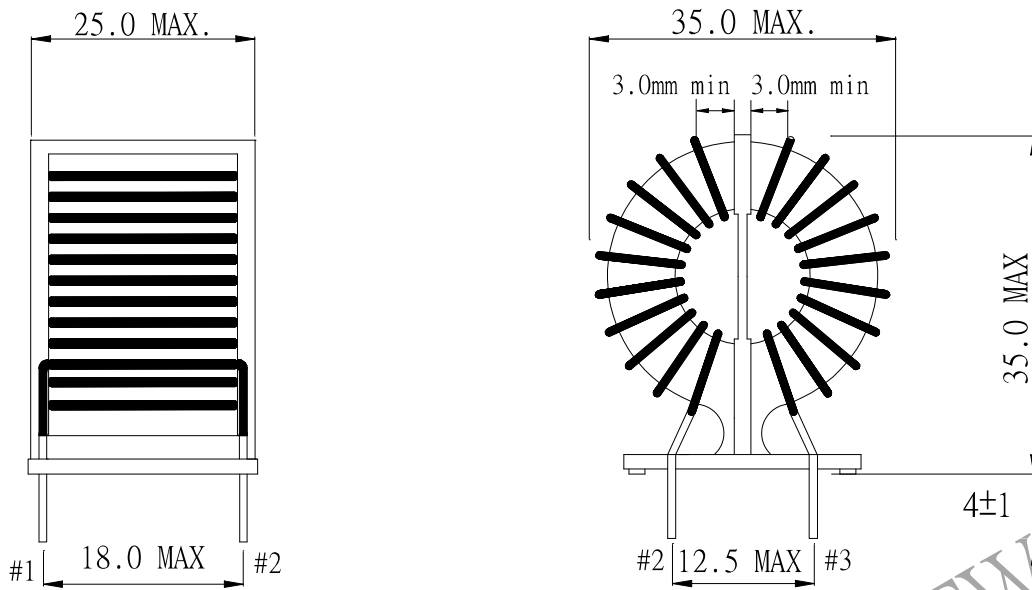


1. MECHANICAL & ASSEMBLY :



UNIT:mm

2. WINDING CONFIGURATION:

STEP	WINDING	MARGIN TAPE	START-FINISH	COPPER WIRE	TURN	LAYER TAPE	TUBE
1	N1		1 - 2	1.5 φ	13Ts		
2	N2		4 - 3	1.5 φ	13Ts		

REPORT BY	CHECK BY	APPROVED BY	CUSTOMER :	DATE
			PART NO : 54K-14053	REV NO.
			ISSUE NO :	PAGE
				2 - 1