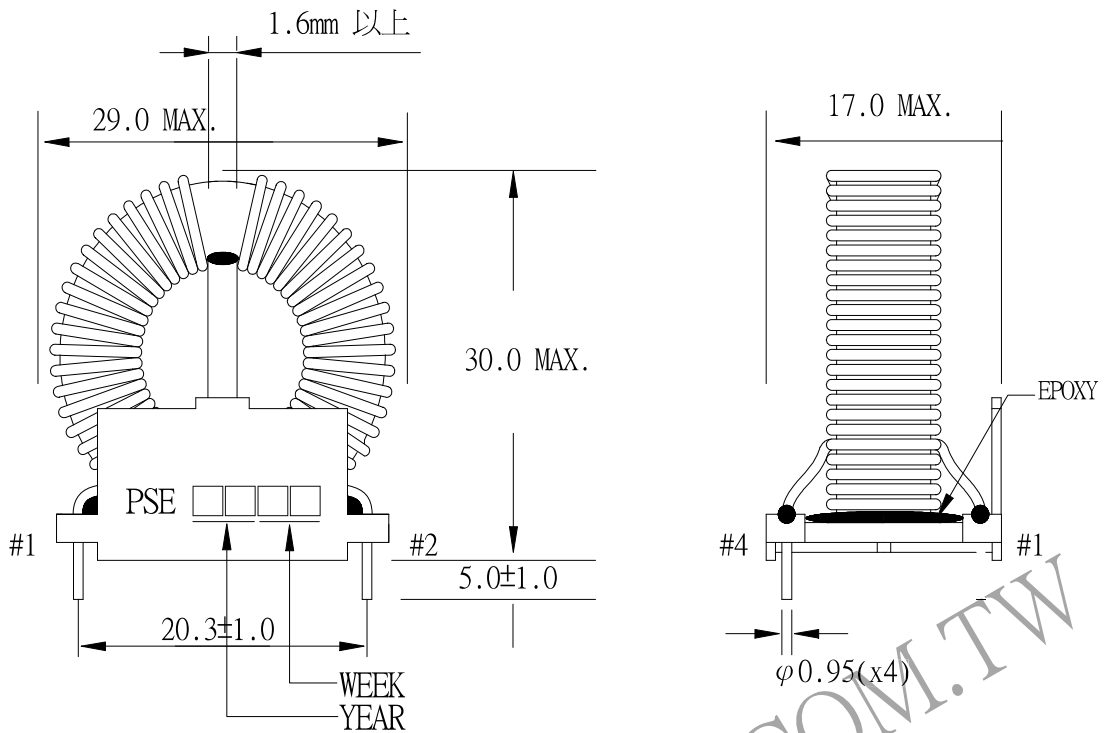
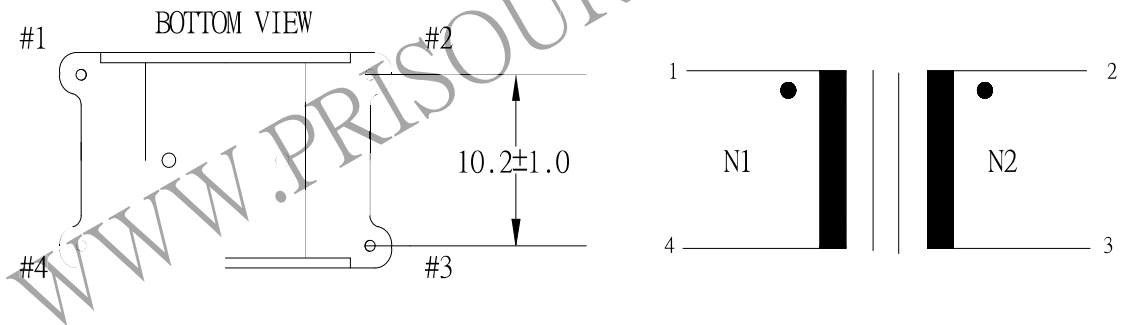


# 1. MECHANICAL & ASSEMBLY :



NOTE:  
IN THE WINDING INTERVAL OF N1 AND N2  
SECURE DISTANCE MORE THAN 1.6mm.



UNIT:m/m

# 2. WINDING CONFIGURATION:

STEP	WINDING	MARGIN TAPE	START-FINISH	COPPER WIRE	TURN	LAYER TAPE	TUBE
1	N1		1 - 4	0.95 φ	34 REF		
2	N2		2 - 3	0.95 φ	34 REF		

REPORT BY	CHECK BY	APPROVED BY	CUSTOMER :	DATE
			PART NO : 54F-16087	REV
			ISSUE NO :	PAGE
				2 - 1